

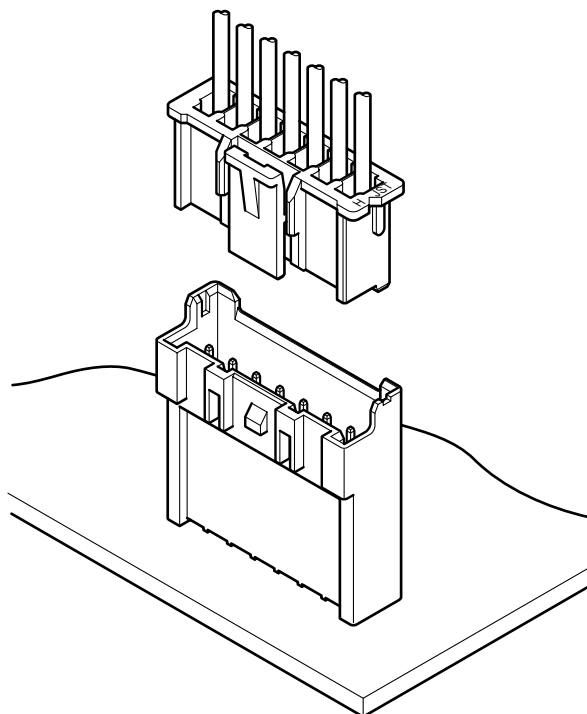
XA CONNECTOR (High box type)



Disconnectable Crimp style connectors



Header for 2.5mm (.098") pitch XA connector for use specifically with resin coated ("potted") PC boards



Features

- **Header for 2.5mm (.098") pitch XA connector for use specifically with resin coated ("potted") PC boards**

This header is tall and fully shrouded so as to prevent the resin used to coat the PC board from coming into contact with the mating pins.

- **Interchangeability**

Designed to accept XA mating receptacles.

Specifications

- Current rating: 3A AC, DC (AWG#22)
 - Voltage rating: 250V AC, DC
 - Temperature range: -25°C to +85°C
(including temperature rise in applying electrical current)
 - Contact resistance: Initial value/10m max.
After environmental testing/20m max.
 - Insulation resistance: 1,000M min.
 - Withstanding voltage: 1,000V AC/minute
 - Applicable wire: AWG #28 to #22
 - Applicable PC board thickness: 1.6mm (.063")
- * Contact JST for details.

Standards

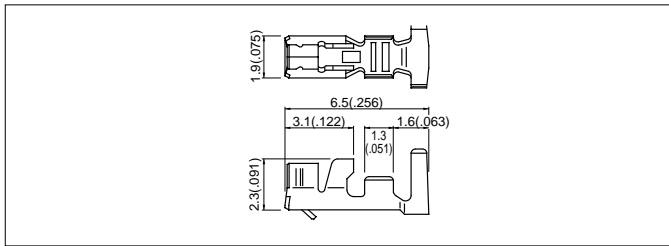
Recognized E60389

Certified LR20812

R9851220

XA CONNECTOR (High box type)

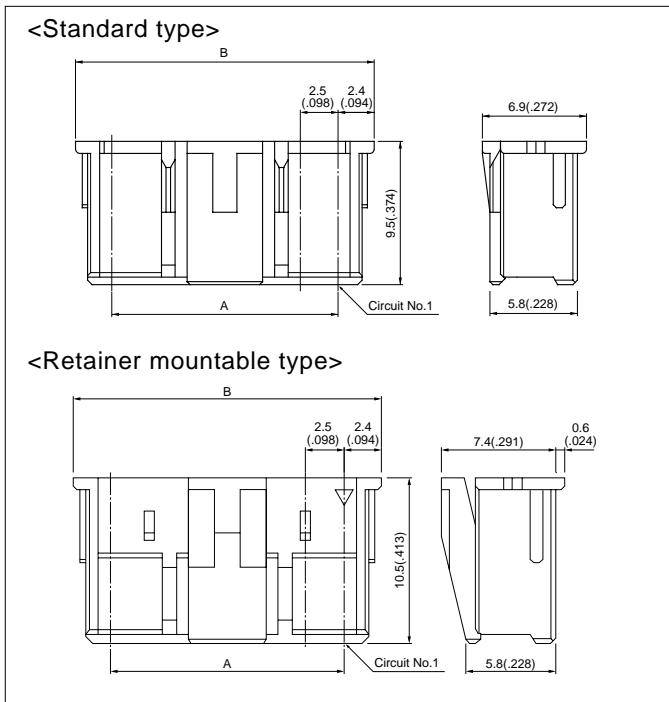
Contact



Model No.	Applicable wire			Q'ty / reel
	mm ²	AWG#	Insulation O.D.mm(in.)	
SXA-001T-P0.6	0.08 to 0.33	28 to 22	1.2 to 1.9(.047 to .075)	8,000

Material and Finish
Phosphor bronze, tin-plated

Housing



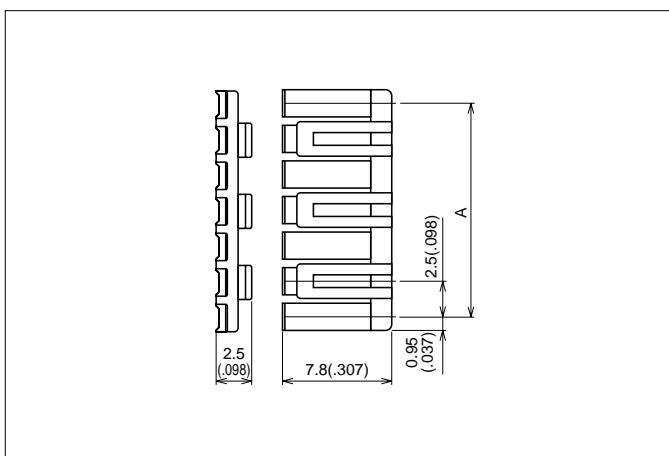
Circuits	Model No.		Dimensions mm(in.)		Q'ty / bag	
	Standard type	Retainer mountable type	A	B	Standard type	Retainer mountable type
2	XAP-02V-1	XARP-02V	2.5(.098)	7.3(.287)	1,000	1,000
3	XAP-03V-1	XARP-03V	5.0(.197)	9.8(.386)	1,000	1,000
4	XAP-04V-1	XARP-04V	7.5(.295)	12.3(.484)	1,000	1,000
5	XAP-05V-1	XARP-05V	10.0(.394)	14.8(.583)	1,000	1,000
6	XAP-06V-1	XARP-06V	12.5(.492)	17.3(.681)	1,000	1,000
7	XAP-07V-1	XARP-07V	15.0(.591)	19.8(.780)	1,000	1,000
8	XAP-08V-1	XARP-08V	17.5(.689)	22.3(.878)	1,000	1,000
9	XAP-09V-1	XARP-09V	20.0(.787)	24.8(.976)	1,000	1,000
10	XAP-10V-1	XARP-10V	22.5(.886)	27.3(1.705)	1,000	1,000
11	XAP-11V-1	XARP-11V	25.0(.984)	29.8(1.173)	1,000	1,000
12	XAP-12V-1	XARP-12V	27.5(1.083)	32.3(1.272)	1,000	1,000
13	XAP-13V-1	XARP-13V	30.0(1.181)	34.8(1.370)	1,000	1,000
14	XAP-14V-1	XARP-14V	32.5(1.280)	37.3(1.469)	500	1,000
15	XAP-15V-1	XARP-15V	35.0(1.378)	39.8(1.567)	500	1,000

Material
Nylon 66, UL94V-0, natural (white)

<For reference> As the color identification, the following alphabet shall be put in the underlined part. For availability, delivery and minimum order quantity, contact JST.

ex. XAP-02V-1-00
 (blank)...natural (white)
 K...black R...red E...blue M...green Y...yellow

Retainer

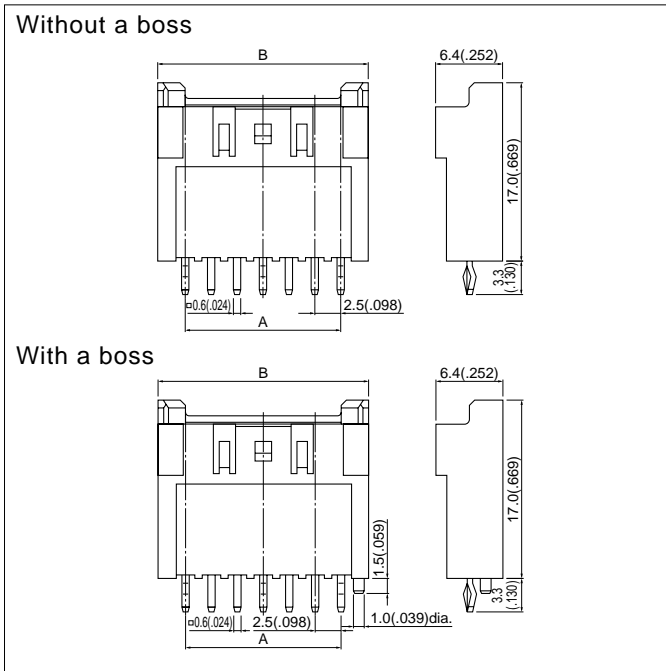


Circuits	Model No.	A	Q'ty / bag
2	XMS-02V	2.5(.098)	1,000
3	XMS-03V	5.0(.197)	1,000
4	XMS-04V	7.5(.295)	1,000
5	XMS-05V	10.0(.394)	1,000
6	XMS-06V	12.5(.492)	1,000
7	XMS-07V	15.0(.591)	1,000
8	XMS-08V	17.5(.689)	1,000
9	XMS-09V	20.0(.787)	1,000
10	XMS-10V	22.5(.886)	1,000
11	XMS-11V	25.0(.984)	1,000
12	XMS-12V	27.5(1.083)	1,000
13	XMS-13V	30.0(1.181)	1,000
14	XMS-14V	32.5(1.280)	1,000
15	XMS-15V	35.0(1.378)	1,000

Material
Glass-filled nylon 66, UL94V-0, natural (ivory)

XA CONNECTOR (High box type)

Shrouded header



Circuits	Model No.		Dimensions mm(in.)		Q'ty / box
	Without a boss	With a boss	A	B	
2	BH02B-XASK-BN	BH02B-XASK	2.5 (.098)	7.5 (.295)	400
3	BH03B-XASK-BN	BH03B-XASK	5.0 (.197)	10.0 (.394)	400
4	BH04B-XASK-BN	BH04B-XASK	7.5 (.295)	12.5 (.492)	300
5	BH05B-XASK-BN	BH05B-XASK	10.0 (.394)	15.0 (.591)	300
6	BH06B-XASK-BN	BH06B-XASK	12.5 (.492)	17.5 (.689)	200
7	BH07B-XASK-BN	BH07B-XASK	15.0 (.591)	20.0 (.787)	200
8	BH08B-XASK-BN	BH08B-XASK	17.5 (.689)	22.5 (.886)	200
9	BH09B-XASK-BN	BH09B-XASK	20.0 (.787)	25.0 (.984)	150
10	BH10B-XASK-BN	BH10B-XASK	22.5 (.886)	27.5 (1.083)	150
11	BH11B-XASK-BN	BH11B-XASK	25.0 (.984)	30.0 (1.181)	100
12	BH12B-XASK-BN	BH12B-XASK	27.5 (1.083)	32.5 (1.280)	100
13	BH13B-XASK-BN	BH13B-XASK	30.0 (1.181)	35.0 (1.378)	100
14	BH14B-XASK-BN	BH14B-XASK	32.5 (1.280)	37.5 (1.476)	100
15	BH15B-XASK-BN	BH15B-XASK	35.0 (1.378)	40.0 (1.575)	100

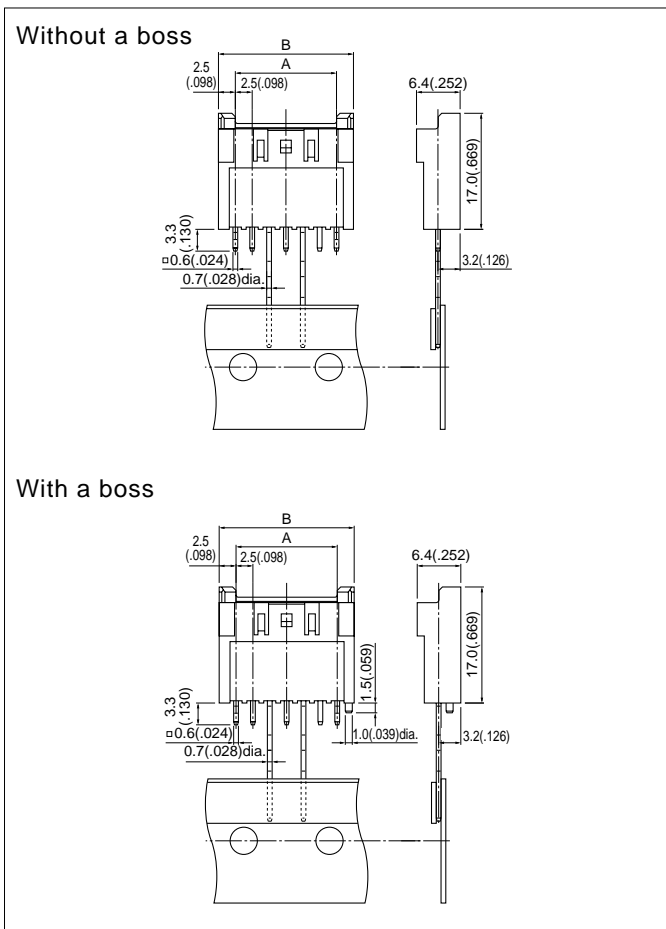
Material and Finish

Post: Copper alloy, copper-undercoated, tin/lead plated
 Wafer: Glass-filled nylon 66, UL94V-0, natural (ivory)

<For reference> As the color identification, the following alphabet shall be put in the underlined part.
 For availability, delivery and minimum order quantity, contact JST.

ex. BH02B-XASK-BN
 S...natural (ivory)
 K...black R...red M...green Y...yellow

Shrouded header on radial-tape



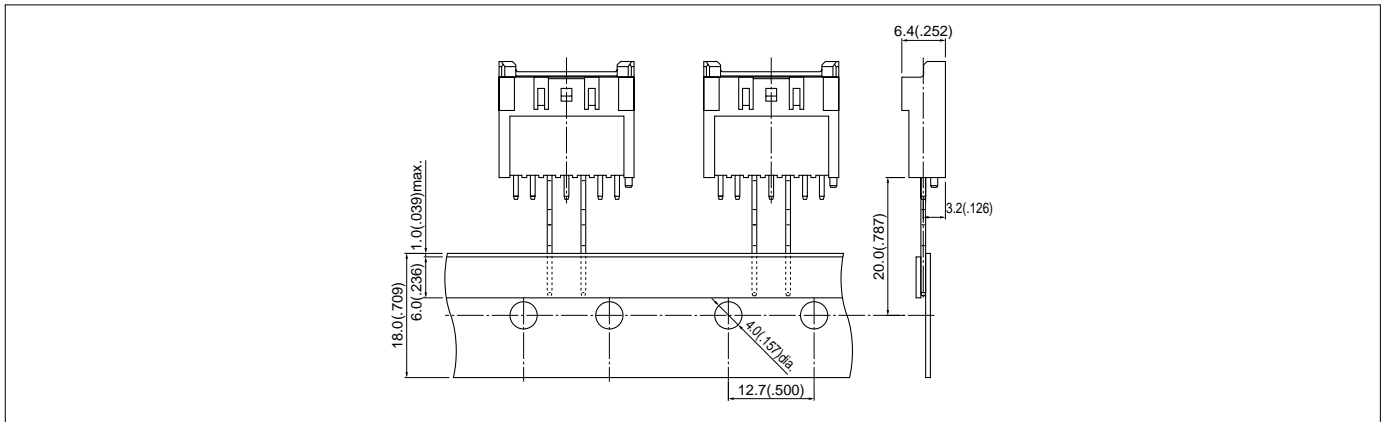
Circuits	Model No.		Dimensions mm(in.)		Q'ty / box
	Without a boss	With a boss	A	B	
2	BH02B-XASS-BN-T	BH02B-XASS-T	2.5 (.098)	7.5 (.295)	1,000
3	BH03B-XASS-BN-T	BH03B-XASS-T	5.0 (.197)	10.0 (.394)	1,000
4	BH04B-XASS-BN-T	BH04B-XASS-T	7.5 (.295)	12.5 (.492)	500
5	BH05B-XASS-BN-T	BH05B-XASS-T	10.0 (.394)	15.0 (.591)	500
6	BH06B-XASS-BN-T	BH06B-XASS-T	12.5 (.492)	17.5 (.689)	500
7	BH07B-XASS-BN-T	BH07B-XASS-T	15.0 (.591)	20.0 (.787)	500
8	BH08B-XASS-BN-T	BH08B-XASS-T	17.5 (.689)	22.5 (.886)	500

Material and Finish

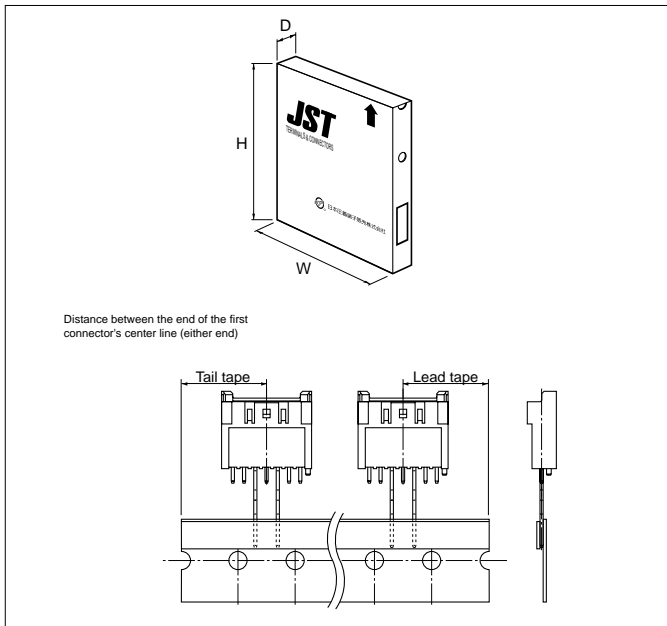
Post: Copper alloy, copper-undercoated, tin/lead plated
 Wafer: Glass-filled nylon 66, UL94V-0, natural (ivory)
 Taping post: Copper alloy, copper-undercoated, tin/lead plated

XA CONNECTOR (High box type)

Taping specifications



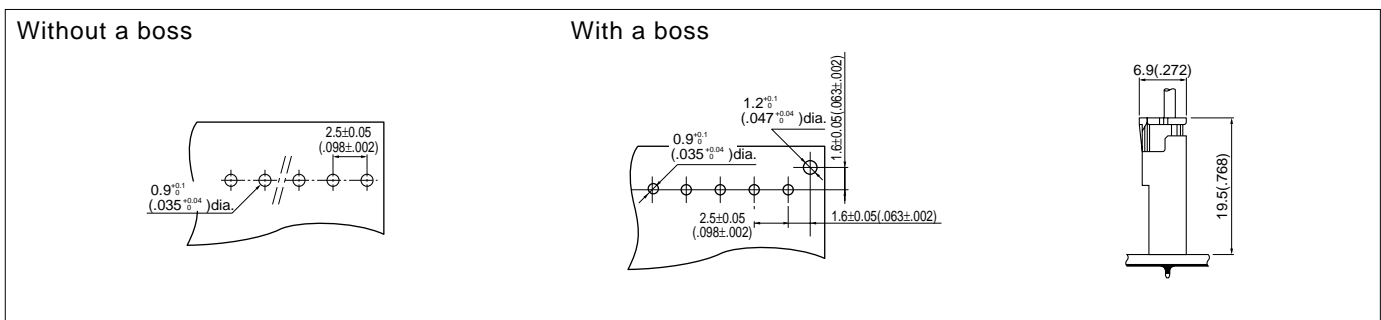
Packaging specifications



Package type	Flat pack (zigzag folded)
Distance between folds	24 indexing holes per fold (304.8mm/12")
Box size	(316X53X330mm)12.4"(W)X2.1"(D)X13.0"(H)
Distance between the end of the tape and the first connector's center line (either end)	19.05mm(.750")

Products of different packaging specifications are also available. Contact JST for details.

PC board layout (viewed from component side) and Assembly layout



Note:
 1. Tolerances are non-Cumulative: $\pm 0.05\text{mm}$ ($\pm 0.002''$) for all centers.
 2. Hole dimensions differ according to the kind of PC board and piercing method.
 The dimensions above should serve as a guide line. Contact JST for details.

XA CONNECTOR〈High box type〉

Applicator for the semi-automatic press AP-K2N

Contact	Crimp applicator MKS-L		Compact crimp applicator MKS-LS		Strip-crimp applicator MKS-SC
	with safety cover	without safety cover	with safety cover	without safety cover	with safety cover
SXA-001T-P0.6	APLMK SXA/M001-06	APLNC SXA/M001-06	—	—	APLSC SXA/M001-06