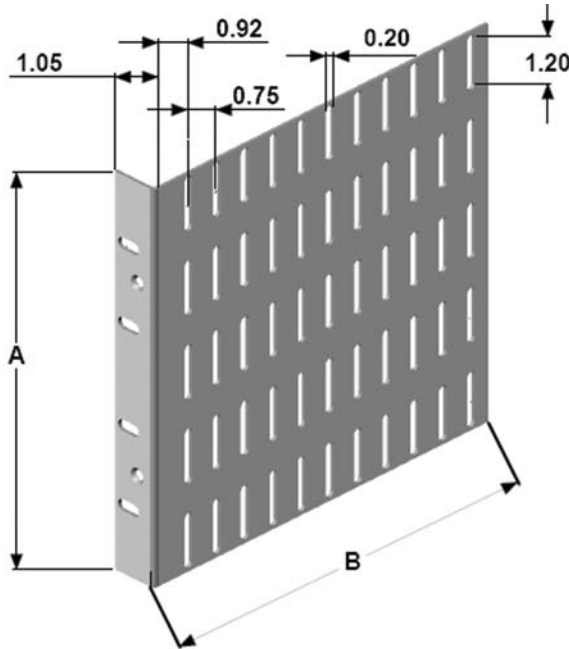


EIA -Based VectorPak™ Subrack Systems



Rack Accessories



“P” Type Side Panel

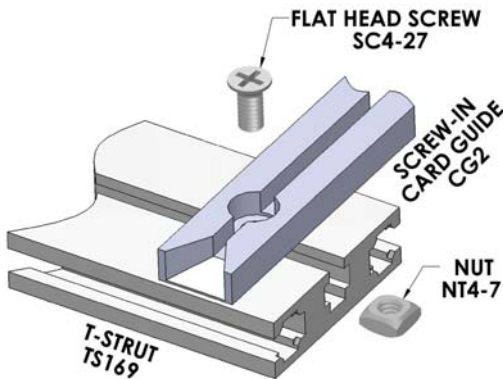
Material: 0.080" aluminum with clear irridite finish

| Part No. | Overall Height A | Depth B | Vector Handle | Accepts Max Card Height | Rack Units (H) |
|--------------|------------------|---------|---------------|-------------------------|----------------|
| SW52P89/90 | 5.23" | 9.0" | HA12 | 4.5" | 3U |
| SW52P119/90 | 5.23" | 12.0" | HA12 | 4.5" | 3U |
| SW52P156/90 | 5.23" | 15.75" | HA12 | 4.5" | 3U |
| SW69P119/90 | 6.98" | 12.0" | HA13 | 6.25" | 4U |
| SW69P156/90 | 6.98" | 15.75" | HA13 | 6.25" | 4U |
| SW87P119/90 | 8.73" | 12.0" | HA12 | 8.0" | 5U |
| SW87P156/90 | 8.73" | 15.75" | HA12 | 8.0" | 5U |
| SW104P156/90 | 10.47" | 15.75" | HA12 | 9.75" | 6U |
| SW122P156/90 | 11.975" | 15.75" | HA12 | 11.5" | 7U |
| SW122P202/90 | 11.975" | 20.25" | HA12 | 17.5" | 7U |

T-Struts Part Mounting Hardware

Metal or plastic screw down card guides attach with SC4-27/25 flat head screw and NT4-7PA square nut. Square nuts slide into T-strut slots and anchor 4-40 screws for mounting parts. Supplied in quantities of 25 ea.

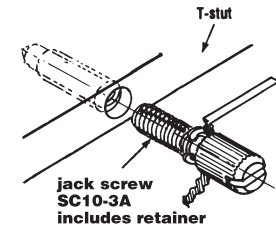
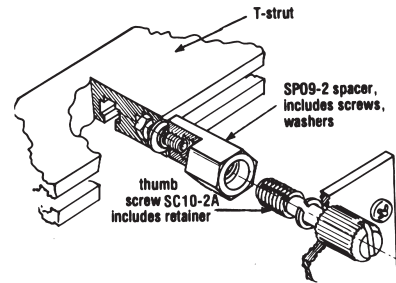
PLASTIC/METAL SCREW-IN GUIDE



| Part No. | Description | Size | Pkg Qty |
|-----------|----------------------|-------------|---------|
| NT4-7PA | Square nut | 4-40 | 25 |
| SC4-27/25 | 100o flat head screw | 4-40 X 1/4" | 25 |

Modules or Front Panel Mounting Hardware

SC 10-2A Thumb screws and SC10-3A jack screws (supplied with EFP modules, Cardmount modules and front assemblies to T-struts. SP09-2 spacers are used as standoffs for mounting modules to 1" T-struts (1.79" struts are standard with module subracks.)



| Part No. | Description | Pkg Qty |
|----------|--|---------|
| BR64# | Right angle bracket and two mounting screws | 1 |
| SP09-2 | Hex spacer for module mounting, includes hardware | 12 |
| SC10-2A | Thumb screw fully threaded for direct attachment of panels | 12 |
| SC10-3A | Jack screw for mounting modules to T-struts with jacking action | 12 |
| HD34 | Connector mounting hardware, includes SC4-28 screws, NT4-2# nuts and lockwashers | 42ea. |
| HD52 | 4-40 nut for connector mounting | 42ea. |
| SC4-28 | 4-40 hex head screws, 3/4" long, Lock washer | 24 |
| | 4-40 hex head screw, 1/2" long for connector mounting | |

EIA Subracks

