



Pb-free  
HEAT



# UW5806X

φ5 Flush Mount Type White LED

## Features

Package	φ5 Flush Mount Type. Water clear resin
Product features	<ul style="list-style-type: none"><li>• Outer Dimension φ5 Flush Mount Type.</li><li>• Operation temperature range Storage Temperature : -40 °C~100 °C Operating Temperature : -40 °C~85 °C</li><li>• Lead-free soldering compatible</li><li>• RoHS compliant</li></ul>
Chromaticity coordinates	x = 0.31TYP., y = 0.32TYP. (Condition : I <sub>F</sub> =20mA)
Spatial distribution	20 deg.
Die materials	InGaN
Rank grouping parameter	Sorted by luminous intensity rank and chromaticity rank
Soldering methods	TTW (Through The Wave) soldering and manual soldering
ESD	1kV (HBM)
Packing	Bulk : 200pcs(MIN.)

## Recommended Applications

Amusement Equipment, Electric Household Appliances, Other General Applications

## Color and Luminous Intensity

**(T<sub>a</sub>=25°C)**

Part No.	Material	Emitted Color	Lens Color	Luminous Intensity		
				I <sub>v</sub> (mcd)		
				MIN.	TYP.	I <sub>F</sub>
UW5806X	InGaN	White	Water Clear	2,800	4,800	20

## Absolute Maximum Ratings

**(T<sub>a</sub>=25°C)**

Item	Symbol	Absolute Maximum Ratings	Unit
Power Dissipation	P <sub>d</sub>	107	mW
Forward Current	I <sub>F</sub>	25	mA
Pulse Forward Current ※1	I <sub>FRM</sub>	60	mA
Derating (T <sub>a</sub> =25°C or higher)	ΔI <sub>F</sub>	0.33	mA/°C
Reverse Voltage	V <sub>R</sub>	5	V
Operating Temperature	T <sub>opr</sub>	-40~ +85	°C
Storage Temperature	T <sub>stg</sub>	-40~ +100	°C

※1 I<sub>FRM</sub> Measurement condition : Pulse Width ≤ 1ms., Duty ≤ 1/20.

## Electro-Optical Characteristics

**(T<sub>a</sub>=25°C)**

Item	Condition	Symbol	Characteristics		Unit
Forward Voltage	I <sub>F</sub> =20mA	V <sub>F</sub>	TYP.	3.7	V
			MAX.	4.2	
Reverse Current	V <sub>R</sub> =5V	I <sub>R</sub>	MAX.	100	<del>μA</del>
Half Intensity Angle	I <sub>F</sub> =20mA	<del>2θ 1/2</del>	TYP.	20	deg.
Chromaticity Coordinates	I <sub>F</sub> =20mA	x	TYP.	0.31	-
		y	TYP.	0.32	-

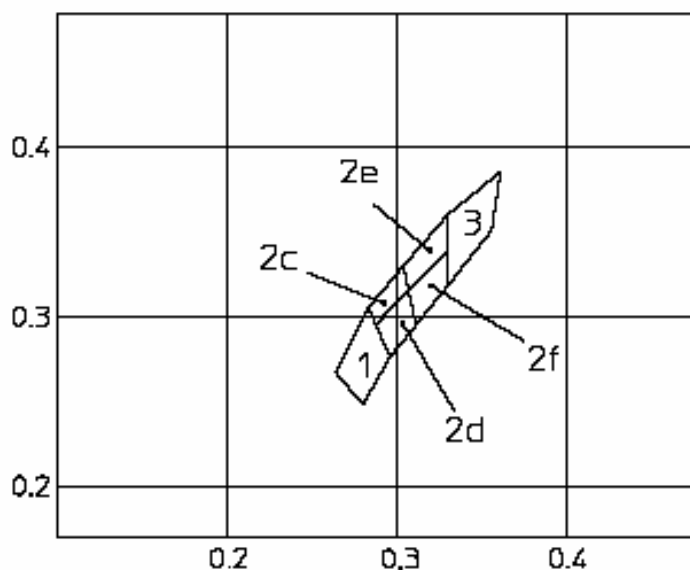
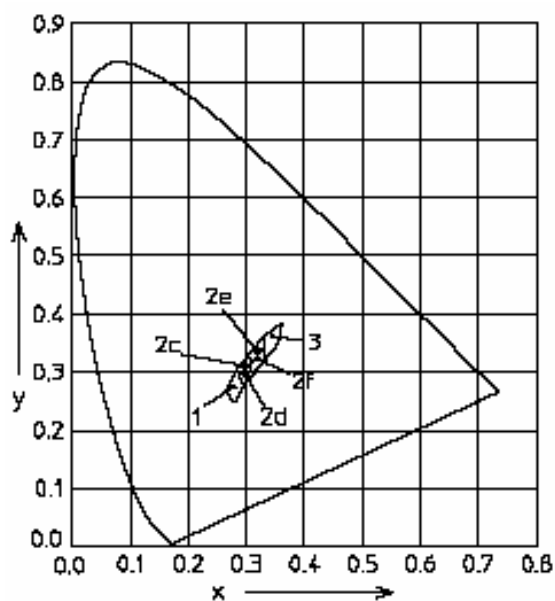
## Luminous Intensity Rank

**(T<sub>a</sub>=25°C)**

Rank	I <sub>v</sub> (mcd)		Condition
	MIN.	MAX.	
A	2,800	5,600	I <sub>F</sub> =20mA
B	4,000	8,000	
C	5,600	11,200	
D	8,000	16,000	
E	11,200	-	

✳ Please contact our sales staff concerning rank designation.

## Sorting Chart for Chromaticity Coordinates

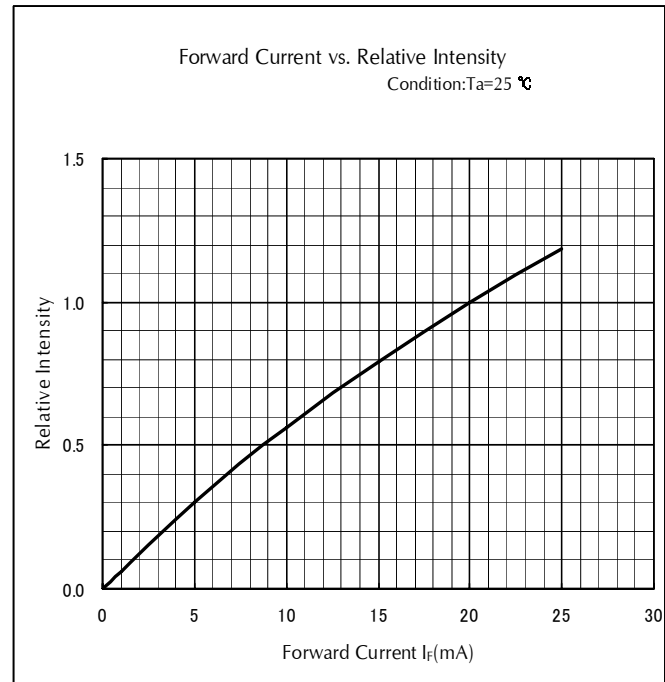
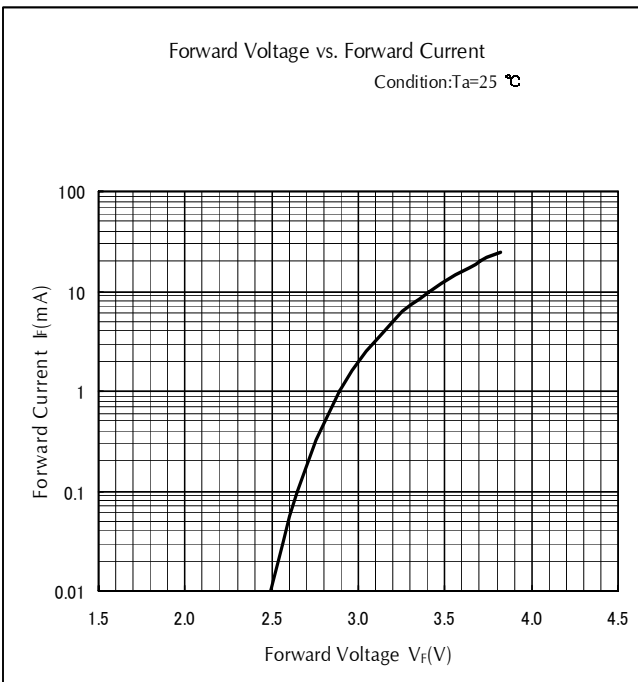
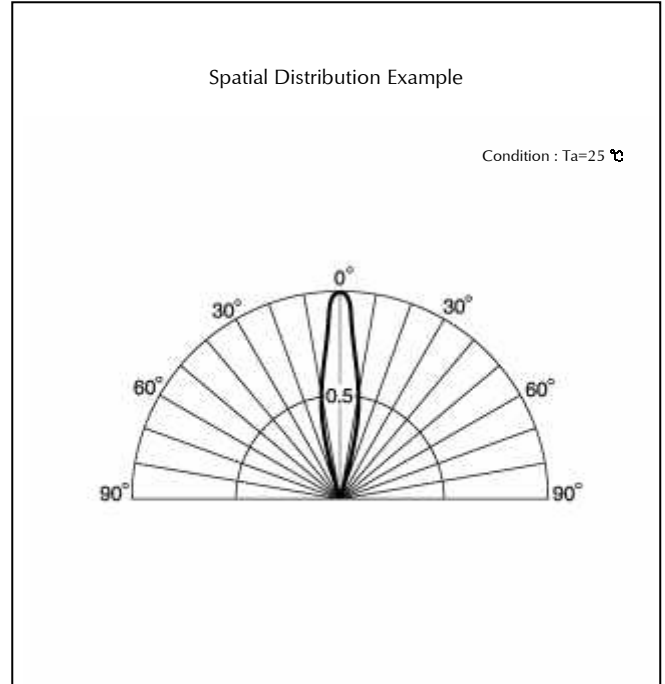
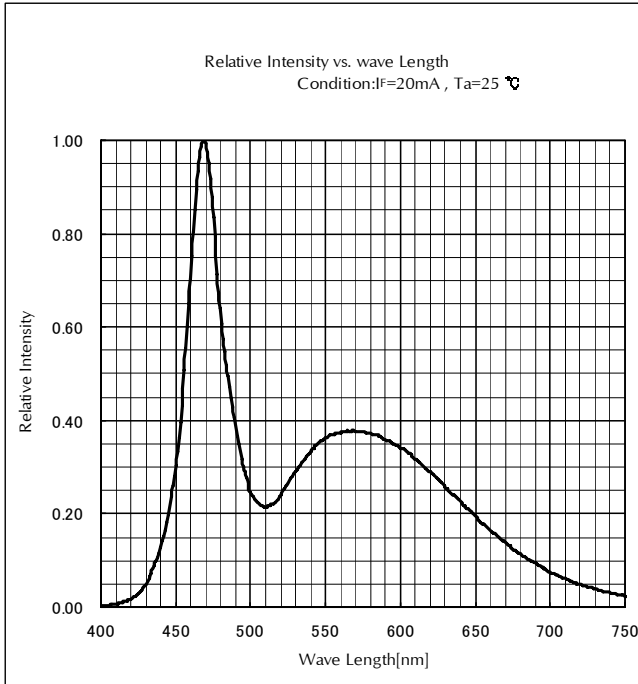


Rank	LEFT DOWN point		LEFT UP point		RIGHT UP point		RIGHT UP point	
	x	y	x	y	x	y	x	y
1	0.280	0.248	0.264	0.267	0.283	0.305	0.296	0.276
2c	0.287	0.295	0.283	0.305	0.304	0.330	0.307	0.315
2d	0.296	0.276	0.287	0.295	0.307	0.315	0.311	0.294
2e	0.307	0.315	0.304	0.330	0.330	0.360	0.330	0.339
2f	0.311	0.294	0.307	0.315	0.330	0.339	0.330	0.318
3	0.330	0.318	0.330	0.360	0.361	0.385	0.356	0.351

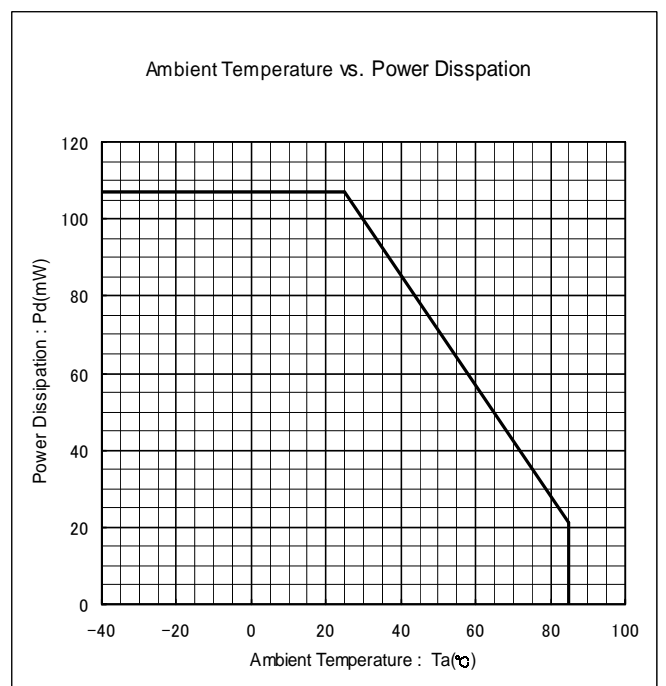
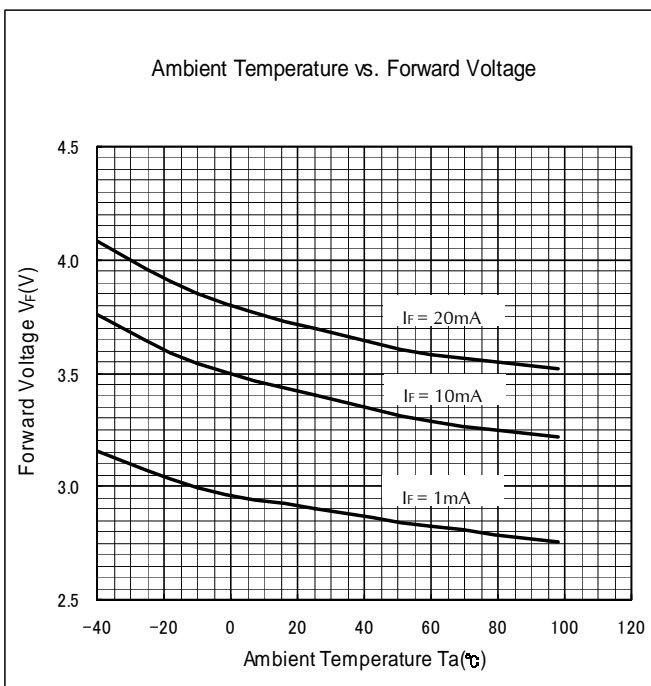
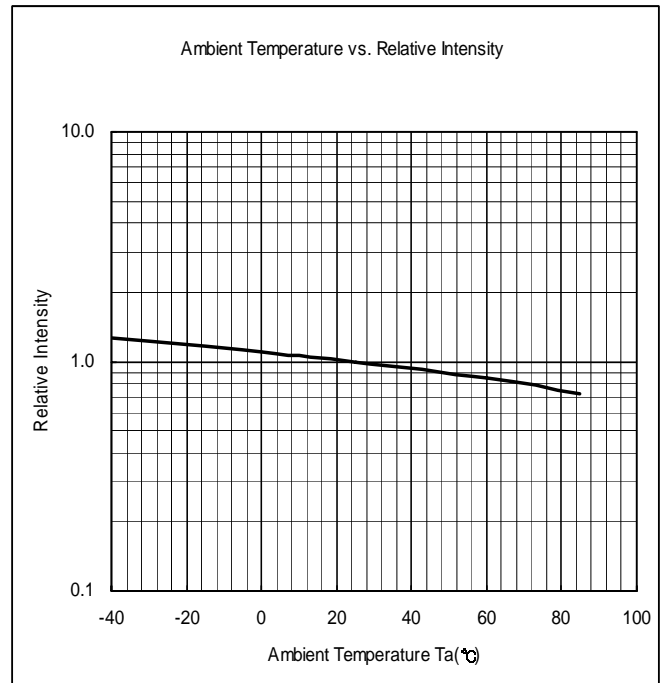
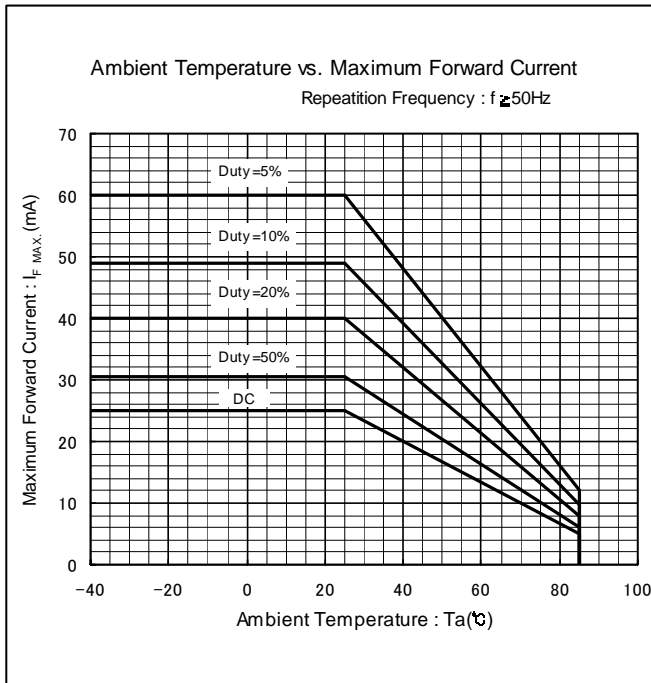
※ The above values are reference values.

※ Please contact our sales staff concerning rank designation.

## Technical Data

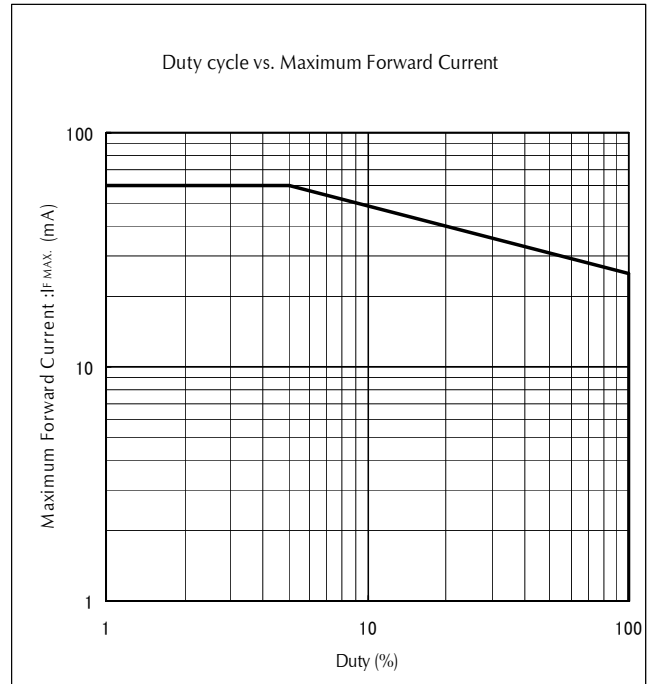
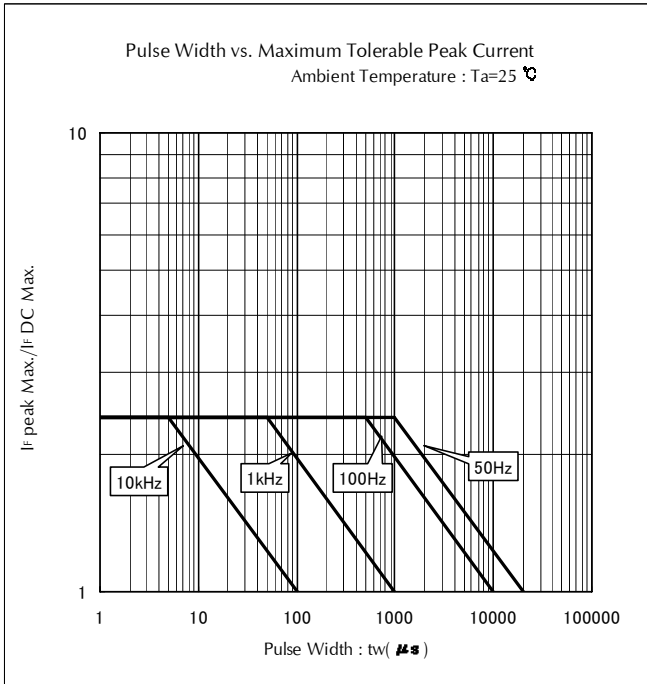


## Technical Data





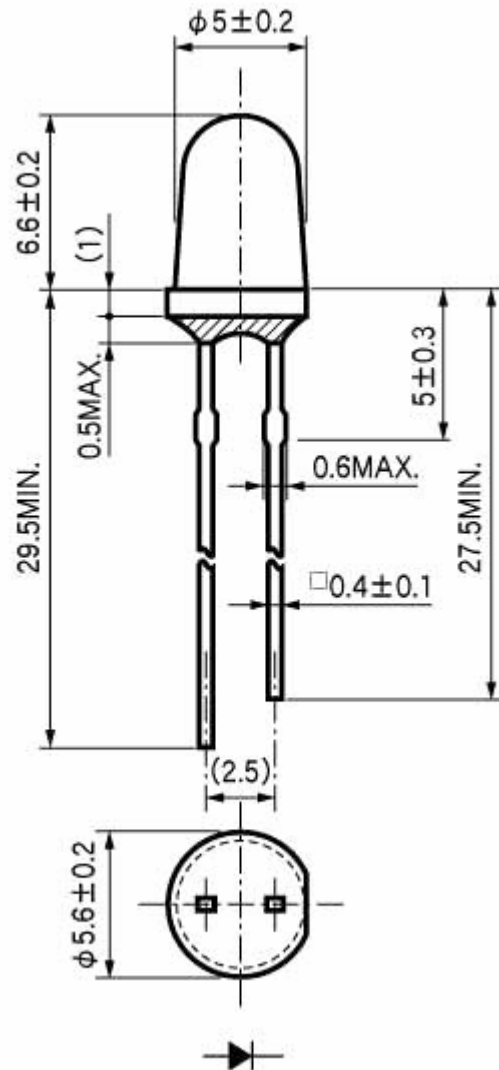
## Technical Data



## Package Dimensions

(Unit: mm)

Weight: (0.28)g



## TTW (Through The Wave) soldering Conditions

---

Pre-heating	100 °C	(MAX.)
Solder Bath Temp.	265°C	(MAX.)
Dipping Time	5 s	(MAX.)

- 1) The dip soldering process shall be 2 times maximum.
- 2) The product shall be cooled to room temp. before the second dipping process.

※The detail is described to LED and Photodetector handling precautions of home page:  
 "Mounting through-hole Type Devices" and "Soldering", and use it after the confirmation, please.

## Manual Soldering Conditions

---

Iron tip temp.	400°C	(MAX.)
Soldering time and frequency	3 s	(MAX.)
	2 times	(MAX.)

※The detail is described to LED and Photodetector handling precautions of home page:  
 "Mounting through-hole Type Devices" and "Soldering", and use it after the confirmation, please.

## Reliability Testing Result

Reliability Testing Result	Applicable Standard	Testing Conditions	Duration	Failure
Room Temp. Operating Life	EIAJ ED-4701/100(101)	Ta = 25°C, If = Maximum Rated Current	1,000 h	0/25
Resistance to Soldering Heat	EIAJ ED-4701/300(302)	260±5°C, 1.6mm from package base	10s	0/25
Temperature Cycling	EIAJ ED-4701/100(105)	Minimum Rated Storage Temperature(30min) ~Normal Temperature(15min) ~Maximum Rated Storage Temperature(30min) ~Normal Temperature(15min)	5 cycles	0/25
Wet High Temp. Storage Life	EIAJ ED-4701/100(103)	Ta = 60±2°C, RH = 90±5%	1,000 h	0/25
High Temp. Storage Life	EIAJ ED-4701/200(201)	Ta = Maximum Rated Storage Temperature	1,000 h	0/25
Low Temp. Storage Life	EIAJ ED-4701/200(202)	Ta = Minimum Rated Storage Temperature	1,000 h	0/25
Lead Tension	EIAJ ED-4701/400(401)	10N, 1time (□0.4 and Flat Package : 5N)	10s	0/10
Vibration, Variable Frequency	EIAJ ED-4701/400(403)	98.1m/s <sup>2</sup> (10G), 100 ~ 2KHz sweep for 20min., XYZ each direction	2 h	0/10

## Failure Criteria

Items	Symbols	Conditions	Failure criteria
Luminous Intensity	Iv	If Value of each product Luminous Intensity	Testing Min. Value < Spec. Min. Value x 0.5
Forward Voltage	V <sub>F</sub>	If Value of each product Forward Voltage	Testing Max. Value ≥ Spec. Max. Value x 1.2
Reverse Current	I <sub>R</sub>	V <sub>R</sub> = Maximum Rated Reverse Voltage V	Testing Max. Value ≥ Spec. Max. Value x 2.5
Cosmetic Appearance	-	-	Occurrence of notable decoloration, deformation and cracking

## Special Notice to Customers Using the Products and Technical Information Shown in This Data Sheet

- 1) The technical information shown in the data sheets are limited to the typical characteristics and circuit examples of the referenced products. It does not constitute the warranting of industrial property nor the granting of any license.
- 2) For the purpose of product improvement, the specifications, characteristics and technical data described in the data sheets are subject to change without prior notice. Therefore it is recommended that the most updated specifications be used in your design.
- 3) When using the products described in the data sheets, please adhere to the maximum ratings for operating voltage, heat dissipation characteristics, and other precautions for use. We are not responsible for any damage which may occur if these specifications are exceeded.
- 4) The products that have been described to this catalog are manufactured so that they will be used for the electrical instrument of the benchmark (OA equipment, telecommunications equipment, AV machine, home appliance and measuring instrument).  
The application of aircrafts, space borne application, transportation equipment, medical equipment and nuclear power control equipment, etc. needs a high reliability and safety, and the breakdown and the wrong operation might influence the life or the human body. Please consult us beforehand if you plan to use our product for the usages of aircrafts, space borne application, transportation equipment, medical equipment and nuclear power control equipment, etc. except OA equipment, telecommunications equipment, AV machine, home appliance and measuring instrument.
- 5) In order to export the products or technologies described in this data sheet which are under the "Foreign Exchange and Foreign Trade Control Law," it is necessary to first obtain an export permit from the Japanese government.
- 6) No part of this data sheet may be reprinted or reproduced without prior written permission from Stanley Electric Co., Ltd.
- 7) The most updated edition of this data sheet can be obtained from the address below:  
<http://www.stanley-components.com>