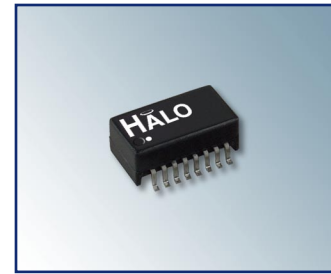
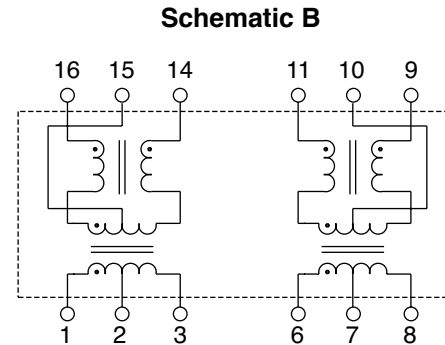
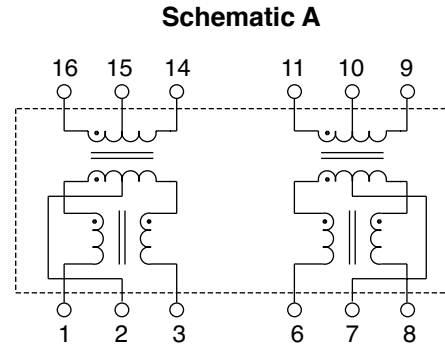
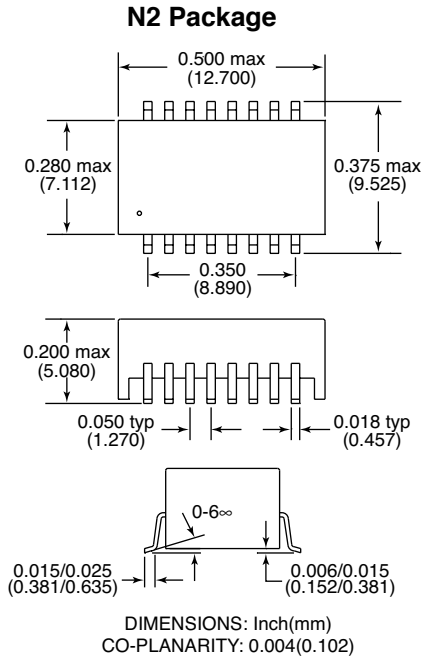


HALO ELECTRONICS, INC. ULTRA™ Series, 16 Pin SOIC 10/100BASE-TX Magnetic Modules

HALO Electronics has developed the ULTRA™ series of 16 pin SOIC Isolation Modules to meet the requirements of IEEE 802.3 for 10/100BASE-TX and ATM155 applications. Designed to provide a significant real estate reduction at the lowest price. Standard devices are available for all Phy's. Please visit our web site to select the correct device for the corresponding Phy.



Ultra™ Series, 16 Pin SOIC
10/100BASE-TX Magnetic Modules



Electrical Specifications @ 25°C

| | |
|-----------------------------|-------------|
| Isolation Voltage: | 1,500Vrms |
| OCL @ 100KHz, 8mA: | 350μH min |
| CMR (0.1-100MHz): | -40dB typ |
| Crosstalk (0.1-100MHz): | -40dB min |
| Insertion Loss (0.1-100MHz) | -1.1dB max |
| Return Loss (0.5-30MHz): | -18dB min |
| (40MHz): | -15.5dB min |
| (50MHz): | -13.6dB min |
| (60-80MHz): | -12dB min |



Patented Construction

US Pat Nbrs: 5,656,985
6,297,721 B1
6,297,720 B1
6,320,489 B1
6,344,785 B1

| Part Number | Turns Ratio ± 3% (1-3:16-14)/(6-8:11-9) | Circuit Schematic | PRI/SEC Cw/w (pF typ) | PRI LL (μH max) | PRI DCR (Ωmax) |
|----------------|--|-------------------|-----------------------------|-----------------------|----------------------|
| TG110-S050N2RL | (1CT:1CT) / (1CT:1CT) | A | 15 | 0.4 | .9 |
| TG110-S055N2RL | (1CT:1CT) / (1CT:1CT) | B | 15 | 0.4 | .9 |
| TG110-S120N2RL | (2CT:1CT) / (1CT:1CT) | B | 15 | 1.2 | .9 |
| TG110-S125N2RL | (1CT:1CT) / (2CT:1CT) | B | 15 | 1.2 | .9 |
| TG110-S131N2RL | (√2CT:1CT) / (1CT:1CT) | B | 15 | 0.9 | .9 |
| TG110-S139N2RL | (1.25CT:1CT) / (1CT:1CT) | B | 15 | 0.9 | .9 |
| TG110-S141N2RL | (1CT:√2CT) / (1CT:1CT) | B | 15 | 0.4 | .9 |
| TG110-S177N2RL | (1.41CT:1CT) (1.41CT:1CT) | B | 20 | 0.6 | .9 |

Please refer to individual datasheets for specific technical data.