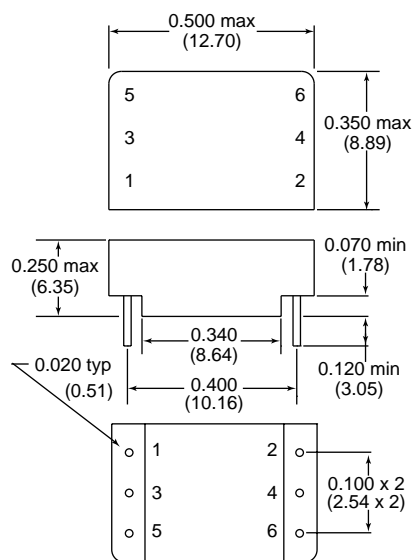


DIL Single T-1/E-1 Line Interface Modules



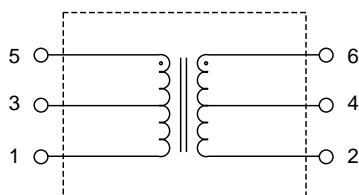
HALO Electronics has developed this standard series of 6 pin DIL Line Interface Modules to meet the isolation and impedance matching requirements for T1, E1, CEPT and PRI ISDN applications. UL1950, IEC950 and EN60950 recognized. Isolation modules are available for all popular LIU's. To select the correct Line Interface device, please contact your local HALO Representative.

A Package

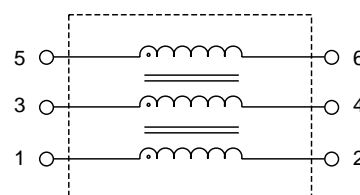


NOTE: All Unused Pins Removed

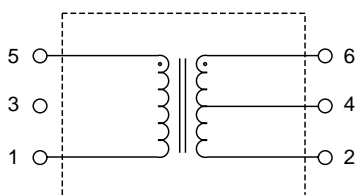
Schematic A



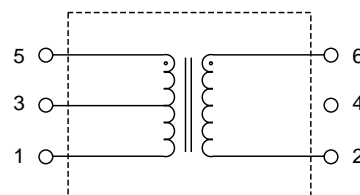
Schematic B



Schematic C



Schematic D

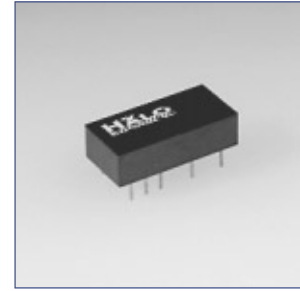


Electrical Specifications @ 25°C

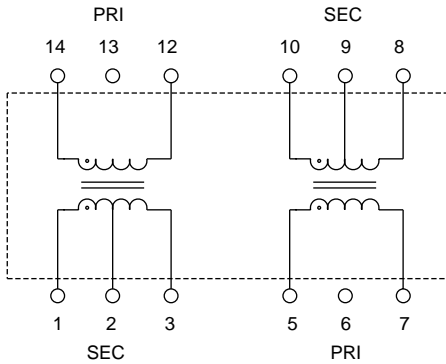
Isolation Voltage: 1,500 Vrms (Except TD10-A)

Part Number	Schematic	Turns Ratio PRI : SEC	OCL (mH min)	Pri/Sec Cw/w (pF max)	Pri/Sec LL (μH max)	DCR Pri (Ω max)	DCR Sec (Ω max)	Primary Pins
TD02-1205A	D	1CT:1	1.2	25	0.80	0.70	0.70	1-5
TD04-1205A	A	1CT:1CT	1.2	25	0.80	0.70	0.70	1-5
TD08-1205A	A	1CT:2CT	1.2	35	0.55	0.70	1.20	1-5
TD10-1205A	B	1:1:1	1.2	25	0.50	0.70	0.70 / 0.70	1-2
TD15 -1205A	D	1:2CT	1.2	35	0.50	0.70	1.20	2-6
TD37-1205A	C	1:1.14CT	1.2	35	0.50	0.70	0.80	1-5
TD38 -1505A	D	1:1.15CT	1.5	35	0.80	0.70	0.90	2-6
TD70-1205A	C	1:1.36CT	1.2	35	0.80	0.70	0.90	1-5
TD71-1205A	C	1:2.3CT	1.2	35	0.50	0.70	1.70	1-5
TD72-1205A	A	1CT:3CT	1.2	45	0.50	0.70	2.00	1-5

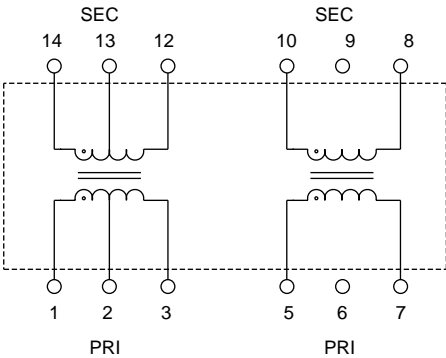
HALO Electronics has developed this standard series of Dual Transformers to meet the isolation and impedance match requirements for T1, E1, CEPT and PRI ISDN applications. UL1950, IEC950 and EN60950 recognized. Isolation Modules are available for most LIU's. To select the correct Line Interface device, please contact your local HALO Representative.



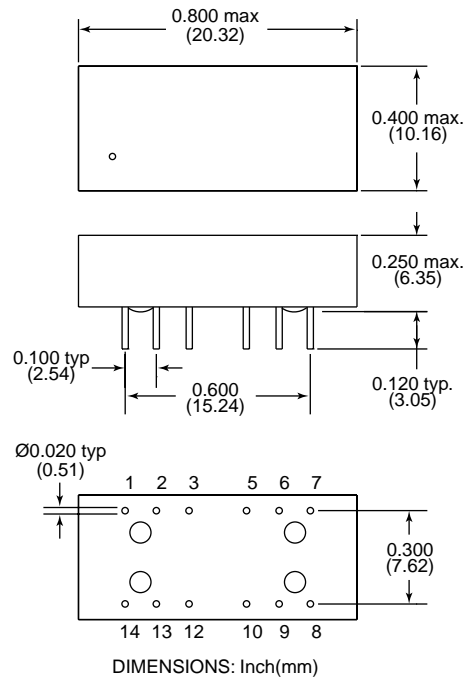
Schematic A



Schematic B



D Package



NOTE: All Unused Pins Removed

Electrical Specifications @ 25°C

Isolation Voltage:	1,500 Vrms
Cw/w :	35pF Max.
Crosstalk (0.1-10MHz):	-60dB Typ.
OCL: Std. (0-70C)	1.2 mH Min.
Ext'd (-40 to +85C)	1.5 mH Min.

Part Number Std. Temp.	Part Number Ext'd Temp.	Turns Ratio PRI : SEC	Schematic	LL (μ H max)	DCR Pri, Ω Max Std. Extd.
TD26-1205D	TD26-1505D	1:2CT & 1:2CT	A	0.5 / 0.5	0.7 0.8
TD27-1205D	TD27-1505D	1:2CT & 1:1.36CT	A	0.5 / 0.5	0.7 0.8
TD48-1205D	TD48-1505D	1CT:2CT & 1:1	B	0.5 / 0.5	0.7 0.8
TD61-1205D	TD61-1505D	1:1CT & 1:2CT	A	0.5 / 0.5	0.7 0.8
TD63-1205D	TD63-1505D	1:1.15CT & 1:2CT	A	0.5 / 0.5	0.7 0.8
TD64-1205D	TD64-1505D	1:1:1.26 & 1:2CT	A	0.5 / 0.5	0.7 0.8