

TX1/TX2/TX3 SERIES CONNECTORS

1.27mm (.050") Contact Spacing, PCB-to-Cable Connectors



.....

TX 1 to 3 Series connectors are two-piece PCB connectors with 1.27mm (.050") contact spacing.

They are designed for board-to-cable applications.

Configurations include IDC sockets (TX1 and TX2) for flat ribbon cable; and pin headers (TX3) with a latching mechanism.

Applications include computers, business machines, industrial control machinery, telecommunications, audiovisual appliances, measuring equipment, and applications wherever high density packaging is required.

FEATURES

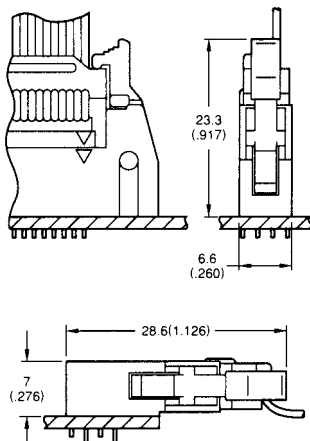
■ IDC Socket (TX1/TX2)

- Flat ribbon cable centers:
0.635mm (.025") for TX1
1.27mm (.050") for TX2
- TX1 socket can be terminated in "daisy-chain" style in the middle of the cable
- TX2 socket is terminated at the end of the two stacked cables
- Socket contacts have dual-contact-point tuning fork design
- All wires can be terminated in a single action (Insulation is automatically removed)

■ Pin Header With Latch (TX3)

- Available in straight and right angle through hole types
- Self-locking, self-ejecting lever for easy operation

Connector Profile (Ref.)



GENERAL SPECIFICATIONS

Number of Contacts	20, 26, 30, 34, 40, 50, 60, 68, 80, 100
Contact Spacing	1.27mm (.050"), Double row
Current Rating	0.5 Amp per contact
Voltage Rating	250 VAC r.m.s.
Dielectric Withstanding Voltage	500 VAC r.m.s. (for one minute)
Insulation Resistance	100 megohms min.
Contact Resistance	25 milliohms max.
Operating Temperature	-40°C to +80°C
Applicable PCB Thickness	1.6mm (.063")
Applicable FRC:	TX1 0.635mm (0.25") pitch: #30AWG TX2 1.27mm (0.50") pitch: #28AWG

MATERIALS AND FINISHES*

TX1/TX2

Description	Materials/Finishes
Insulator	PBT (UL94V-0, Black)
Strain Relief	Glass-filled Nylon (UL94V-0, Black)
Cover	Glass-filled Nylon (UL94V-0, Black)
Contact (Note)	Copper Alloy Connecting area: Gold plating over Nickel IDC Terminal area: Tin-Lead plating over Nickel Other areas: Gold flash over Nickel

TX3

Description	Materials/Finishes
Insulator	PBT (UL94V-0, Black)
Hook Pin	Phosphor Bronze/Tin plating
Lever (TX3)	Nylon (UL94V-0, Black)
Contact (Note)	Phosphor Bronze Connecting area: Gold plating over Nickel Terminal area: Tin-Lead plating over Nickel

Note: Contact finish – Gold plating on connecting area is 0.1µm min.

* Please consult JAE for verification of product availability.

Dimensions in mm (inches).

TX1/TX2/TX3 SERIES CONNECTORS

1.27mm (.050") Contact Spacing, PCB-to-Cable Connectors

ORDERING INFORMATION

Series	_____
Connector Type	_____
1 – IDC Socket, .635mm (.025") pitch cable	
2 – IDC Socket, 1.27mm (.050") pitch cable	
3 – Pin Header with latch	
No. of Contacts	_____
20, 26, 30, 34, 40, 50, 60, 68, 80, 100	
Contact Type	_____
S – Socket (TX1, TX2)	
P – Pin (TX3)	
Contact Arrangement	_____
D2 – Double Row	
Termination	_____
P – IDC	
LT – Right Angle Through Hole	
ST – Straight Through Hole	
Applicable Wire	_____
1 – #30 AWG (TX1)	
#28 AWG (TX2)	
Latch Type (TX3)	_____
L – Standard Latch	
S – Short Latch	
Expansion Post (TX3)	_____
H – With Post	
N – Without Post	
Contact Finish Code	_____
1 – 0.1µm thick gold plating min.	
Cover Style	_____
C – Closed End (TX2)	
D – Daisy Chain (TX1)	
Lead Free Version	_____

• Please consult JAE for verification of product availability.

Dimensions and specifications subject to change without notice.