

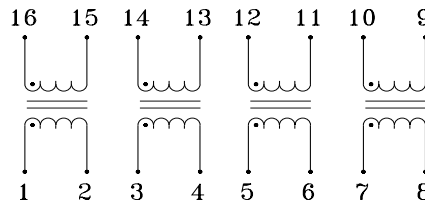
10BASE-T NETWORK COMPONENTS

- Designed for use with Level One LXT914 multi-port 10Base-T repeater PHY transceiver
- Quad, 4-port transmit or receive in one through-hole or surface mount package
- Complies with IEEE 802.3 10Base-T specifications
- 2000 Vrms isolation

ELECTRICALS AT 25°C

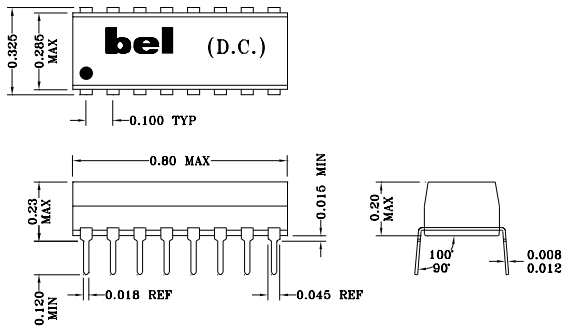
Part No.	Turns Ratio (all xfms)	Insertion Loss (dB) Max 1-10MHz	OCL μ H +/-30%	Return Loss (dB) Min 1MHz-10MHz	Crosstalk (dB) Min 1MHz-10MHz	Package Style
A553-5999-00	1:1	-1.0	150	-18	-40	1
A553-5999-01	1:š2	-1.0	150	-18	-40	1
S553-5999-02	1:1	-1.0	150	-18	-40	2
S553-5999-03	1:š2	-1.0	150	-18	-40	2

SCHEMATIC

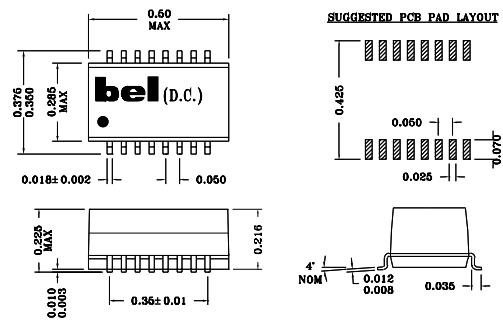


MECHANICALS

1



2

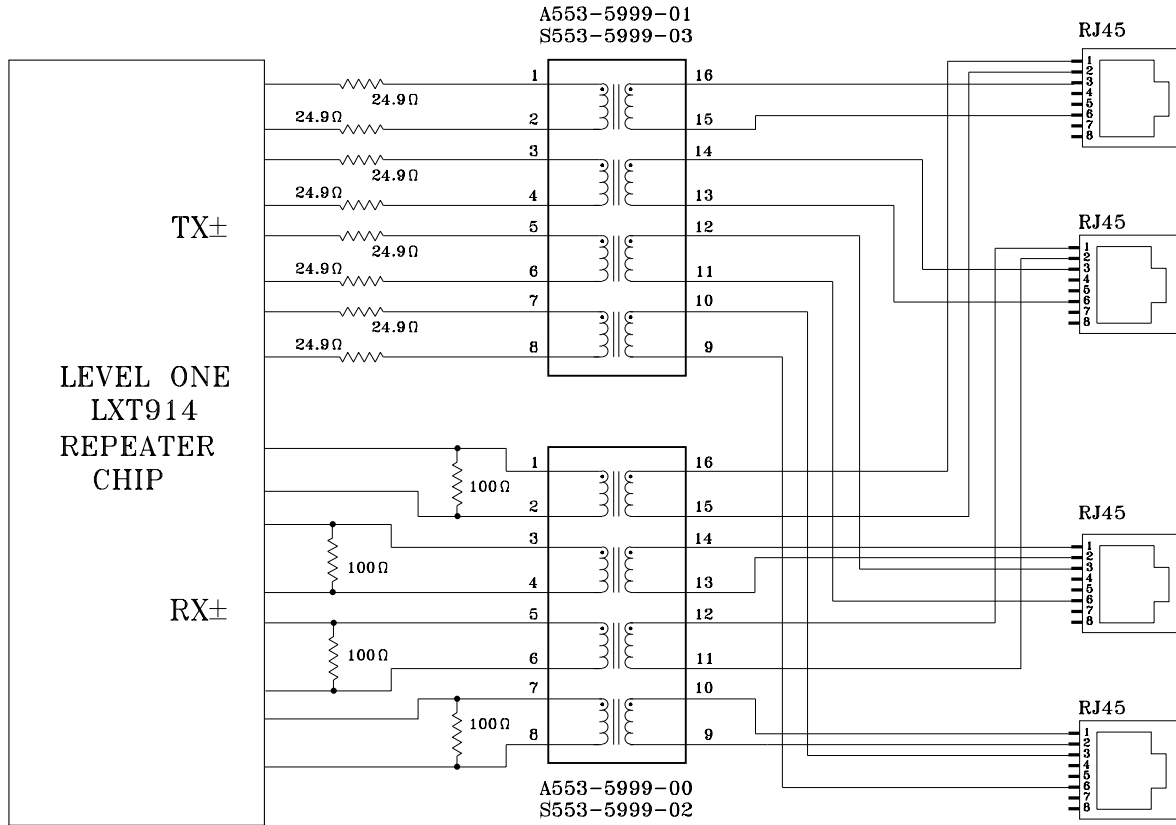


Specifications subject to change without notice.

10BASE-T NETWORK COMPONENTS

960052A

APPLICATION CIRCUIT



APPLICATION NOTES

- All designs meet IEEE 802.3 standards.
- Additional common mode chokes are available in separate packaging.
- Quad designs with integrated transmit and receive transformers, with or without common mode chokes, are available.
- Bel's low profile, surface mount packaging is ideal for high speed pick and place machinery. Parts can be shipped on tape and reel for high speed placement. Construction processes have been implemented for thermal compatibility with high temperature IR reflow assembly processing. Post dipping of leads assist with PC board solderability. Each part is optically inspected to meet rigid coplanarity requirements.

Corporate Office
Bel Fuse Inc.
 198 Van Vorst Street, Jersey City, NJ 07302-4496
 Tel: 201-432-0463
 Fax: 201-432-9542
 E-Mail: BelFuse@belfuse.com
 Internet: <http://www.belfuse.com>

Far East Office
Bel Fuse Ltd.
 8F/8 Luk Hop Street
 San Po Kong
 Kowloon, Hong Kong
 Tel: 852-2328-5515
 Fax: 852-2352-3706

European Office
Bel Fuse Europe Ltd.
 Preston Technology Management Centre
 Marsh Lane, Preston PR1 8UD
 Lancashire, U.K.
 Tel: 44-1772-556601
 Fax: 44-1772-888366