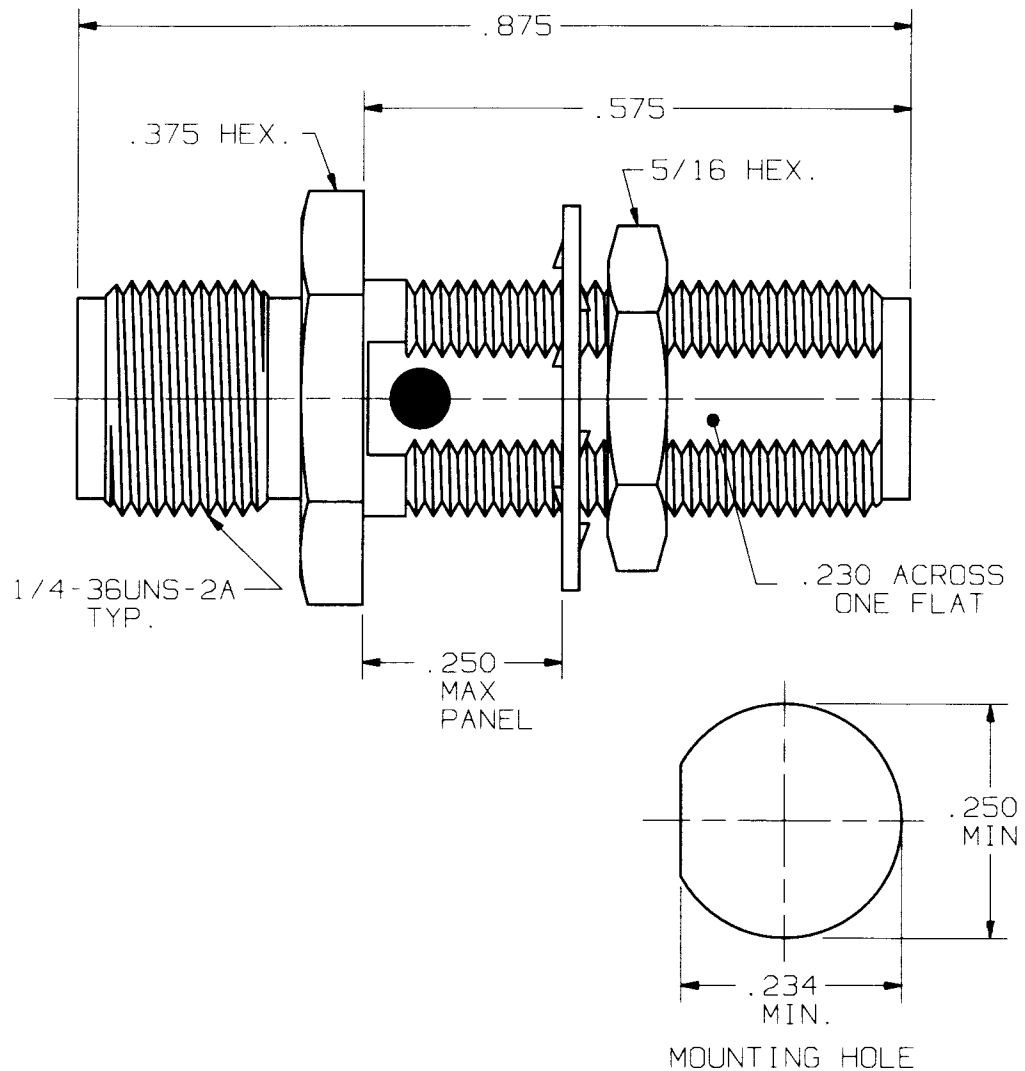


# PRODUCT DATA DRAWING

CAD GENERATED DRAWING      DCN CONTROLLED DOCUMENT

DWG. NO. **SF2990-6005**



**MATERIAL:**

BODY, HEX NUT & LOCK WASHER: STAINLESS STEEL PER AMS-5640, UNS S30300, TYPE I.

CONTACT: BERYLLIUM COPPER PER ASTM-B-196, ALLOY C17300, COND. TD04.

INSULATOR: TEFLON PER ASTM-D-1457.

**FINISH:**

BODY, HEX NUT & LOCK WASHER: PASSIVATED PER QQ-P-35C, TYPE II.

CONTACT: GOLD PER MIL-G-45204, TYPE I, GRADE C, CLASS 1; OVER NICKEL PER QQ-N-290, CLASS 1.

IMPEDANCE: 50 OHMS  
 FREQ. RANGE: DC-18.0 GHz  
 D.W.V.: 1000 VRMS  
 INSUL. RES.: 5000 MEGOHMS

SYM.	DESCRIPTION	DATE	APPR.
C	REV. DCN F9360	6/83	RG
D	REV. DCN 23350	4/97	[Signature]

UNLESS OTHERWISE SPECIFIED:  
 1) ALL DIMENSIONS ARE AFTER PLATING.  
 2) BREAK CORNERS & EDGES .005 R. MAX.  
 3) CHAM. 1s1 & LAST THDS.  
 4) SURFACE ROUGHNESS 63 √ MIL-STD-10.  
 5) DIAS. ON COMMON CENTERS TO BE CONCENTRIC WITHIN .005 T.I.R.  
 6) REMOVE ALL BURRS.

REDRAWN: BRT 4/02/97

CHECKED:

APPROVED: DGG 11/20/79

DIMENSIONS ARE IN INCHES		
TOLERANCES:		
DECIMALS	FRACTIONAL	ANGULAR
.X ±.030		X° ±1°0'
.XX ±.015	±1/64	X°X' ±15'
.XXX ±.005		

MATERIAL: SEE ABOVE

FINISH: SEE ABOVE      AREA: N/A

SIZE	CAGE NO.	SCALE
A	95077	5X

**Soliton Vector Microwave**  
 3301 ELECTRONICS WAY  
 WEST PALM BEACH, FL. 33407

TITLE: SMA JACK TO JACK JAM NUT MOUNT

DWG. NO. SF2990-6005