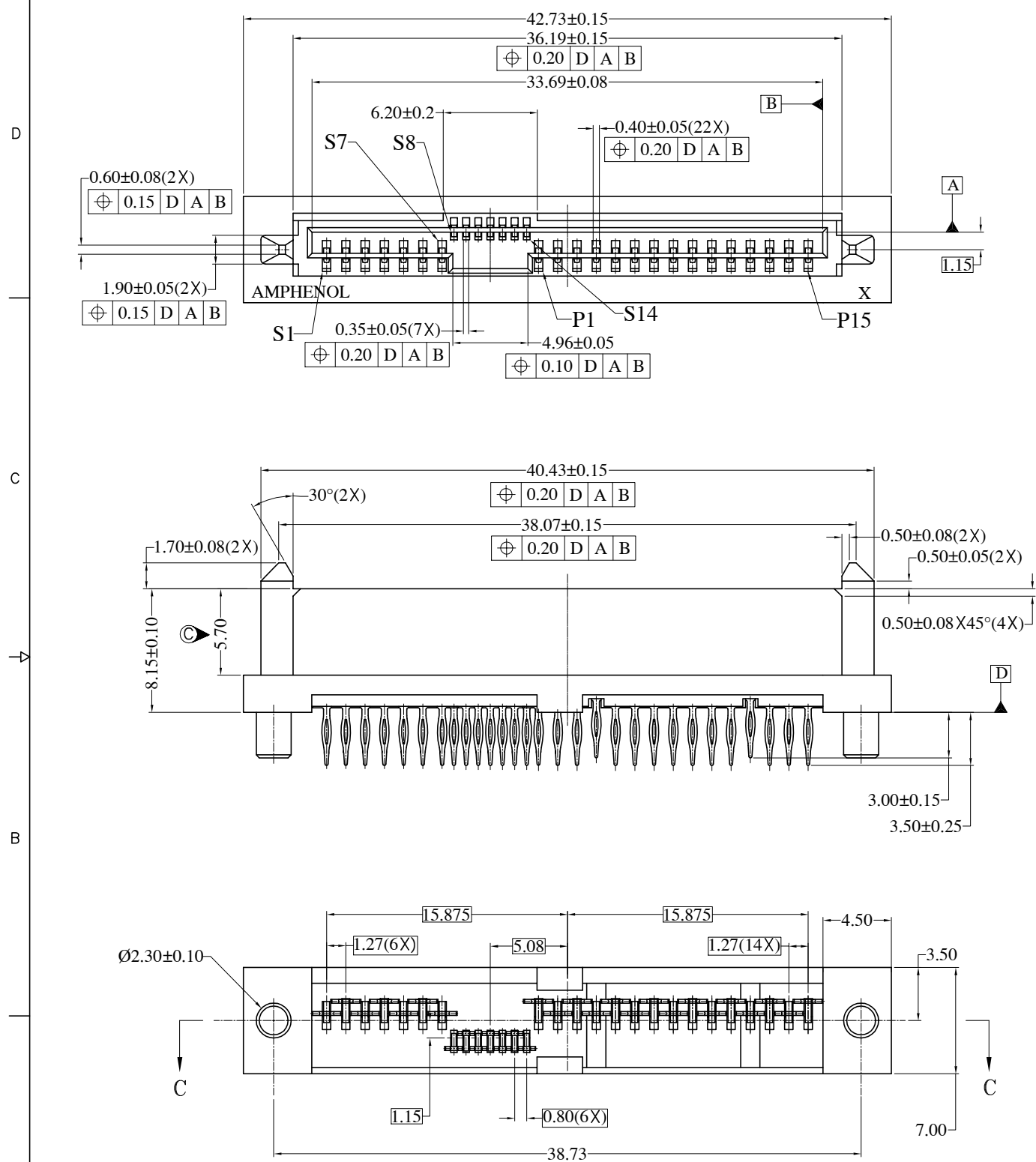


This document is the property of Amphenol Corporation and is delivered on the express condition that it is not to be disclosed, reproduced or used, in whole or in part, for manufacture or sale by anyone other than Amphenol Corporation without its prior consent, & that no right is granted to disclose or to use any information in this document.

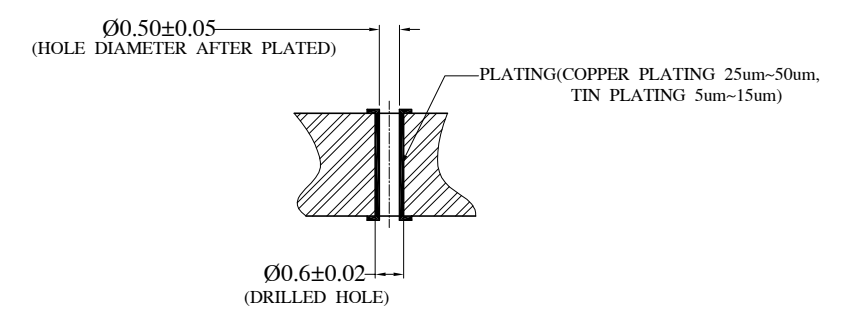
REVISIONS				
SYM	ECN	DESCRIPTION	DATE	APPROVED
B	HK3382	Add dimension 0.38, 0.35	5/20/05	IP
C	HK3547	5.7 was 6.15	10/25/05	IP



- NOTES:
- MATERIAL HOUSING: LCP G930 30% GLASS FILLED UL94V-0, BLACK, OR EQUIVALENT HIGH TEMPERATURE PLASTIC.
CONTACT: PHOSPHOR BRONZE
PLATING: REFER TO P/N SYSTEM ON MATING AREA
1.27~2.54um NICKEL UNDERPLATE OVERALL
2.54~5.08um PURE TIN ON SOLDER TAIL
 - ELECTRICAL SPECIFICATION: CURRENT RATING: 1.5A
CONTACT RESISTANCE: 30mΩ MAX.
INSULATOR RESISTANCE: 1000MΩ MIN.
DIELECTRIC WITHSTANDING VOLTAGE: 500 V AC
 - PREMATING AT P4 & P12
 - THE RECOMMENDED PCB THICKNESS IS 0.105in TO 0.125in.
 - ORDER P/N SYSTEM: SAS-F714-012-X

MATING AREA PLATING
1- 0.76um MIN Au.
2- 0.38um MIN Au.
A- Gold FLASH

PLATED THROUGH HOLE REQUIREMENTS

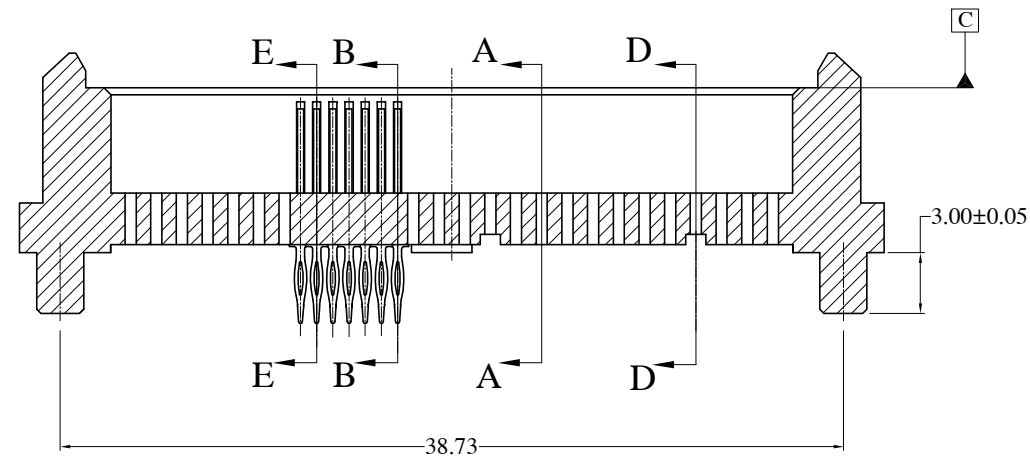


Customer Drawing

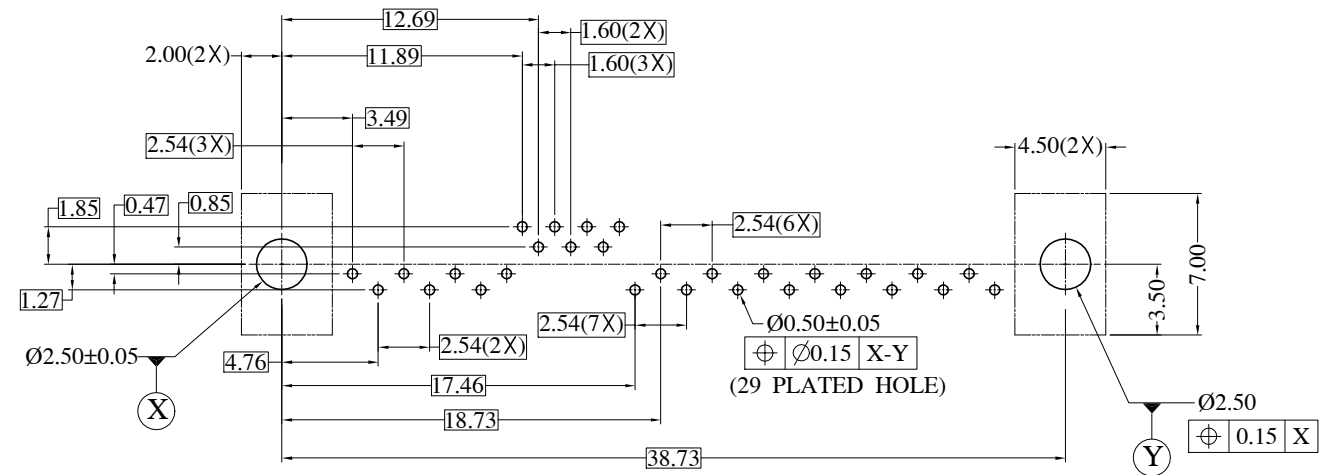
ITEM	PART NO.	REQ'D	DESCRIPTION
PARTS LIST			
UNLESS OTHERWISE SPECIFIED TOLERANCES		APPROVAL	DATE
U.S. METRIC		DRAWN RAN.XIAO	10/25/05
.X +/- ±0.20		CHECKED IP	10/25/05
.XX +/- ±0.10		CHECKED	
.XXX +/- ±0.10			
FRACTIONS +/-			
ANGLES +/-			
FOR MATERIALS AND FINISHES SEE NOTES		DRAWING FILE :	TITLE
REMOVE SHARP EDGES		PE MASTER DRAWING SAS CSAS-F714-012-X	SAS STRAIGHT PRESSFIT SOCKET
DIMENSIONS		ANGLE OF PROJECTION	SIZE DRAWING NO. REV.
U.S.	INCHES		A3 C SAS-F714-012-X C
(METRIC)	(MM)		SCALE NONE SHEET 1 OF 2

This document is the property of Amphenol Corporation and is delivered on the express condition that it is not to be disclosed, reproduced or used, in whole or in part, for manufacture or sale by anyone other than Amphenol Corporation without its prior consent, & that no right is granted to disclose or to use any information in this document.

REVISIONS				
SYM	ECN	DESCRIPTION	DATE	APPROVED
		Refer to sheet 1		

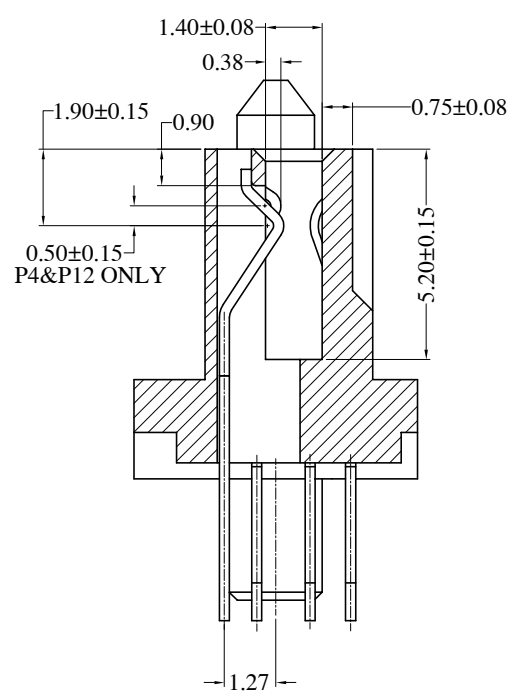


SECTION C-C

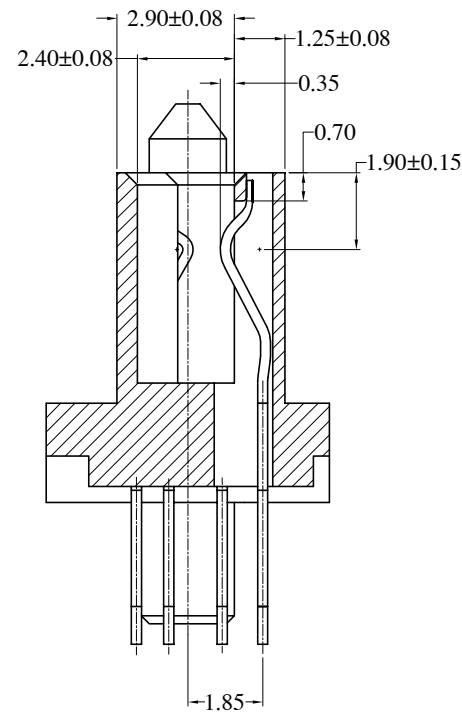


RECOMMENDED PCB LAYOUT

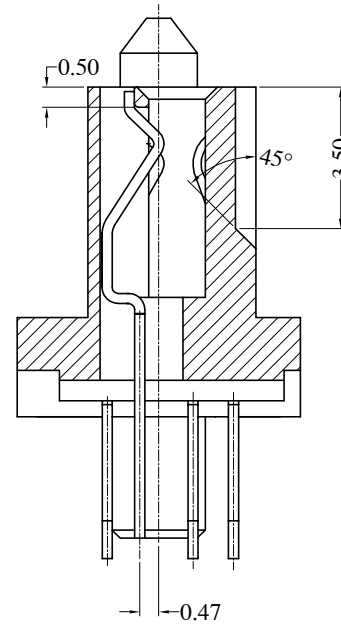
PCB THICKNESS: 0.105~0.125in.



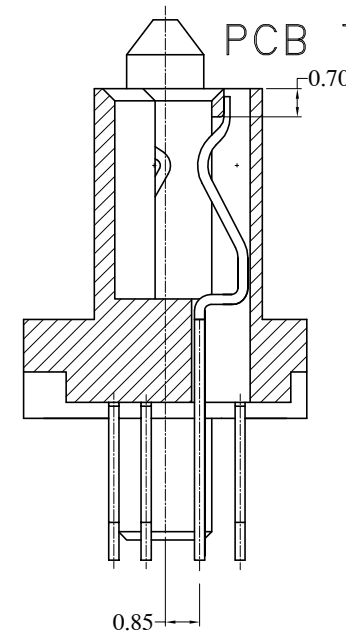
SECTION A-A



SECTION B-B



SECTION D-D



SECTION E-E



Customer Drawing

ITEM	PART NO.	REQ'D	DESCRIPTION
PARTS LIST			
UNLESS OTHERWISE SPECIFIED TOLERANCES		APPROVAL	DATE
U.S. METRIC		DRAWN RAN.XIAO	10/25/05
.X +/- ±0.20		CHECKED IP	10/25/05
.XX +/- ±0.10		CHECKED	
.XXX +/- ±0.10			
FRACTIONS +/-			
ANGLES +/-			
FOR MATERIALS AND FINISHES SEE NOTES		DRAWING FILE :	PE MASTER DRAWING SAS CSAS-F714-012-X
REMOVE SHARP EDGES		ANGLE OF PROJECTION	
DIMENSIONS			
U.S.	INCHES		
(METRIC)	(MM)		
TITLE			Amphenol
SAS STRAIGHT PRESSFIT SOCKET			
SIZE	DRAWING NO.	REV.	
A3	C SAS-F714-012-X	C	
SCALE	NONE	SHEET 2 OF 2	