

Amphenol

SCE

Snatch Connector Electrical Series



The SCE has been designed specifically for the harsh environment. A simple push to mate and pull to release feature means that this miniature product is of a snatch push pull design and it cannot be locked when mated. The SCE has no moving parts, i.e. coupling nut, thus eliminating the path for the ingress of moisture and dust to the interface. The SCE free cable connector is fitted with internal and external o-rings for sealing.

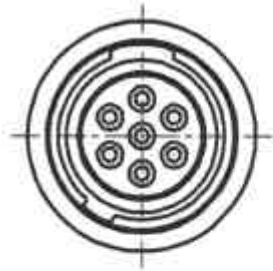
This fully grounded series is machined from brass, giving it an increased number of mating cycles over traditional aluminium connectors. The inserts and contacts are moulded in place to offer high environmental sealing.

Shell to shell keying is provided with two different key options of A and B positions to prevent mis-mating between shells of different orientations. Amphenol Ltd offers full cable harness solutions with overmoulding capabilities or, where preferred, a heat shrink boot can be used.

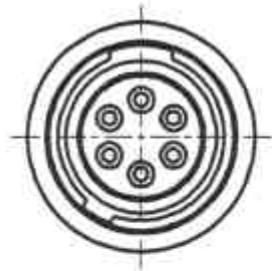
Amphenol

Visit our Website @
www.amphenol.co.uk

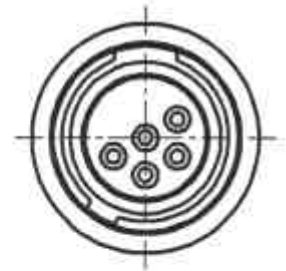
RECEPTACLES – PIN CONTACTS ONLY



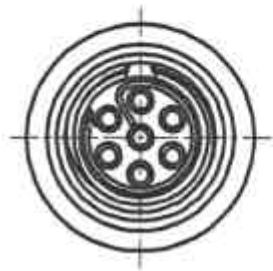
FRONT FACE VIEW
SCE 7 WAY



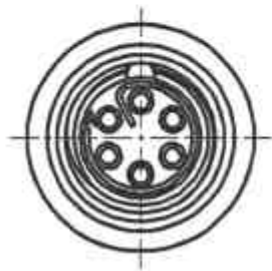
FRONT FACE VIEW
SCE 6 WAY



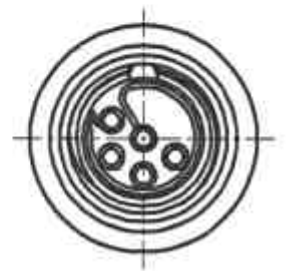
FRONT FACE VIEW
SCE 5 WAY



REAR FACE VIEW
SCE 7 WAY

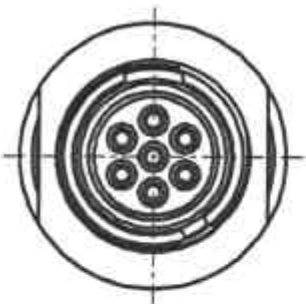


REAR FACE VIEW
SCE 6 WAY

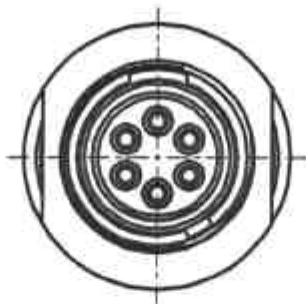


REAR FACE VIEW
SCE 5 WAY

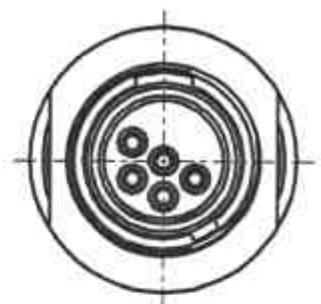
PLUGS – SOCKET CONTACTS ONLY



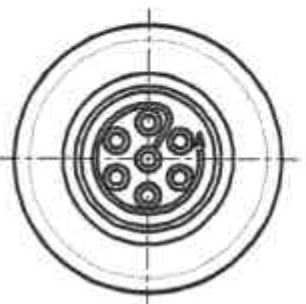
FRONT FACE VIEW
SCE 7 WAY



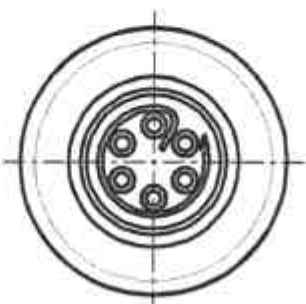
FRONT FACE VIEW
SCE 6 WAY



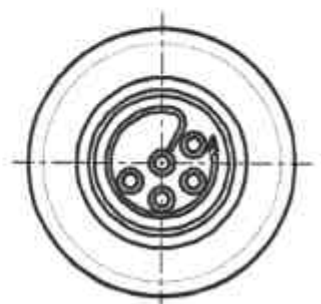
FRONT FACE VIEW
SCE 5 WAY



REAR FACE VIEW
SCE 7 WAY



REAR FACE VIEW
SCE 6 WAY



REAR FACE VIEW
SCE 5 WAY

SCE – Performance Information

INSERT AVAILABILITY	
06-05	5 # 22 AWG Contacts
06-06	6 # 22 AWG Contacts
06-07	7 # 22 AWG Contacts



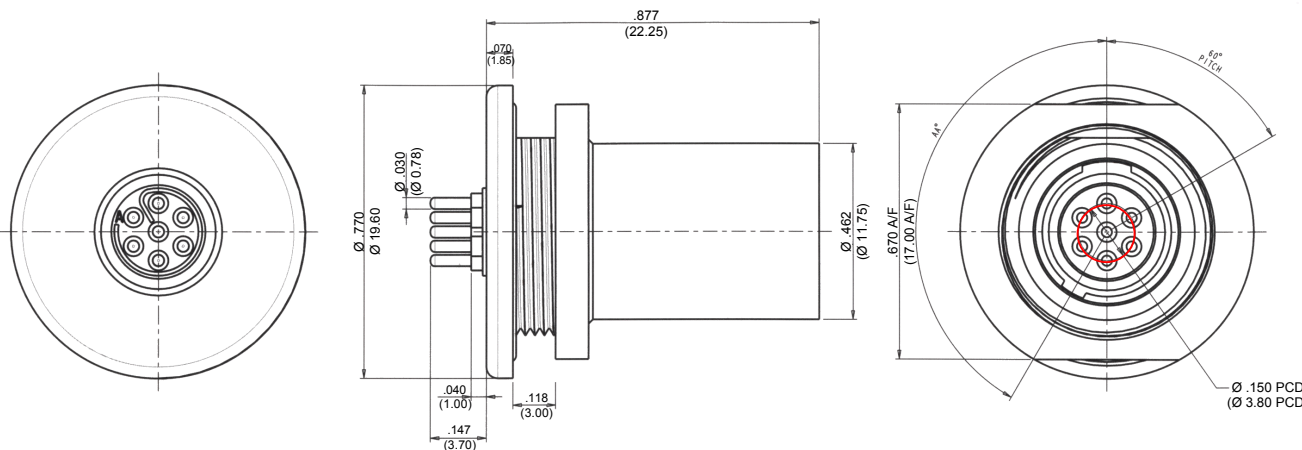
CONTACT SPECIFICATIONS		
Contact Resistance	5 mO initially	Less than 10 mO
Shell to Shell Conductivity	5 mO initially	Less than 10 mO



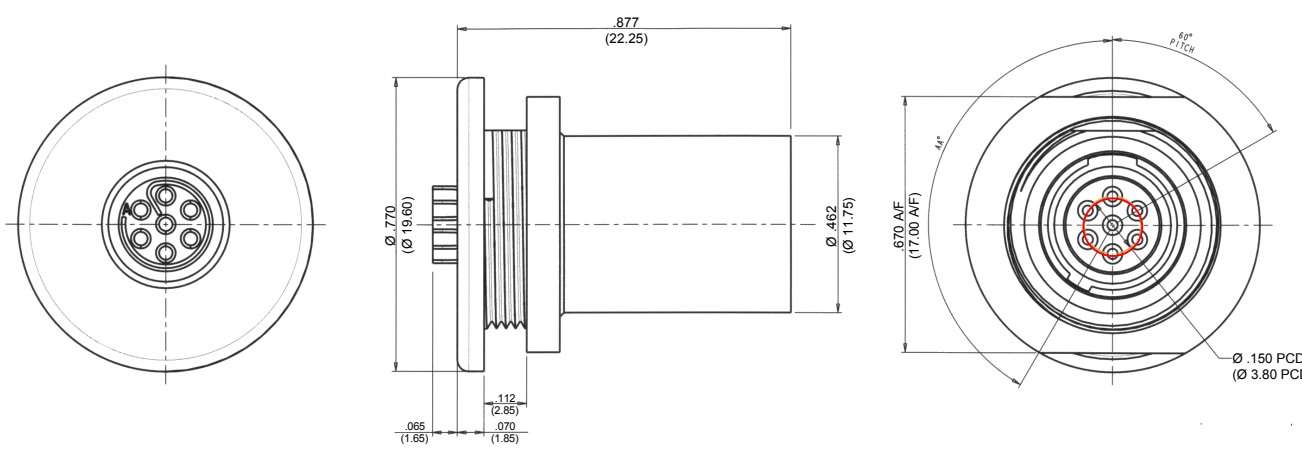
INSERT SPECIFICATIONS	
Contact Arrangement	06-05 / 06-06 / 06-07
Working Voltage (Sea Level)	115 Vac
DWV (Sea Level)	500 Vac
Insulation Resistance (Sea Level)	1GO @ 500 Vdc
Current Rating (Individual Contact)	3A
Current Rating (all Contacts Simultaneously)	1A

ENVIRONMENTAL	
Temperature	-55°C / +85°C
Salt Spray Resistance	500 hours
Fluids	As per MIL-C-26482 Series I
Vibration and Shock	As per MIL-C-26482 Series I
Sealing	IP68 through Unmated Bulkhead Connectors
	IP68 Mated Pair Interface
Sand and Dust	DEF STAN 07-55 (Part 2) Test D1
Icing/Frosting	DEF STAN 07-55 (Part 2) Test B10

MECHANICAL	
Durability	2000 Matings
Materials	Shell : Brass – See Part No. information for plating options
	Contacts : Turned, Gold Plated
	Inserts and Seal : Proprietary Thermoplastic Polyester Elastomer

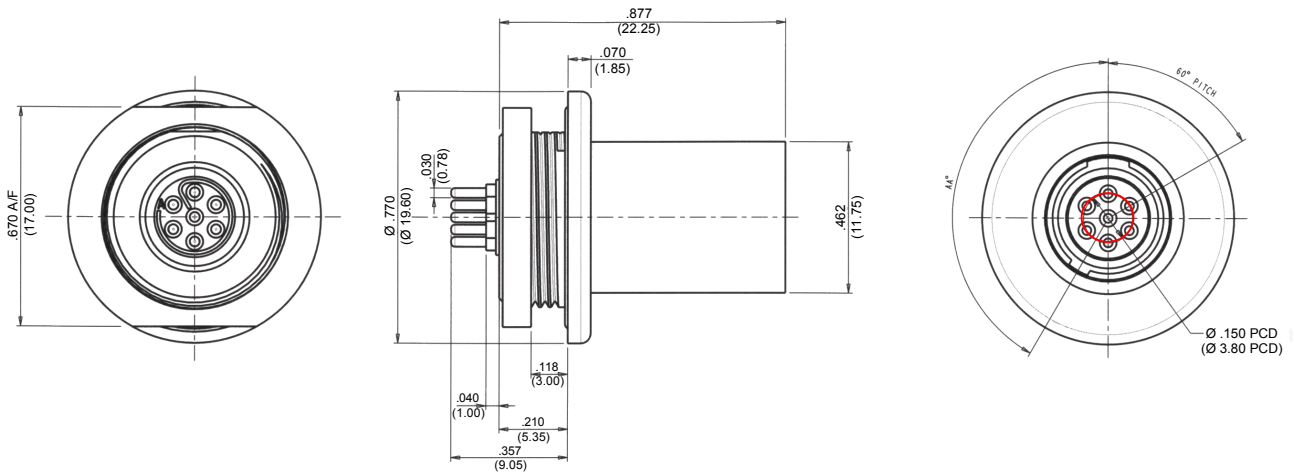
Receptacles have Pin Contacts only

<p>SCE-X-07A06-XXPX-001</p> <p>Jam Nut Rear Mount Receptacle PCB Contacts</p>		
 <p>Panel Nut - Torque to 2.25 Nm = 1.65 foot pounds force</p> <p>All Dimensions are for reference only (Dimensions in brackets are in mm)</p>		

<p>SCE-X-07A06-XXPX-002</p> <p>Jam Nut Rear Mount Receptacle Solder Bucket Contacts</p>		
 <p>Panel Nut - Torque to 2.25 Nm = 1.65 foot pounds force</p> <p>All Dimensions are for reference only (Dimensions in brackets are in mm)</p>		

SCE-X-17A06-XXPX-001

**Jam Nut Front Mount Receptacle
PCB Contacts**

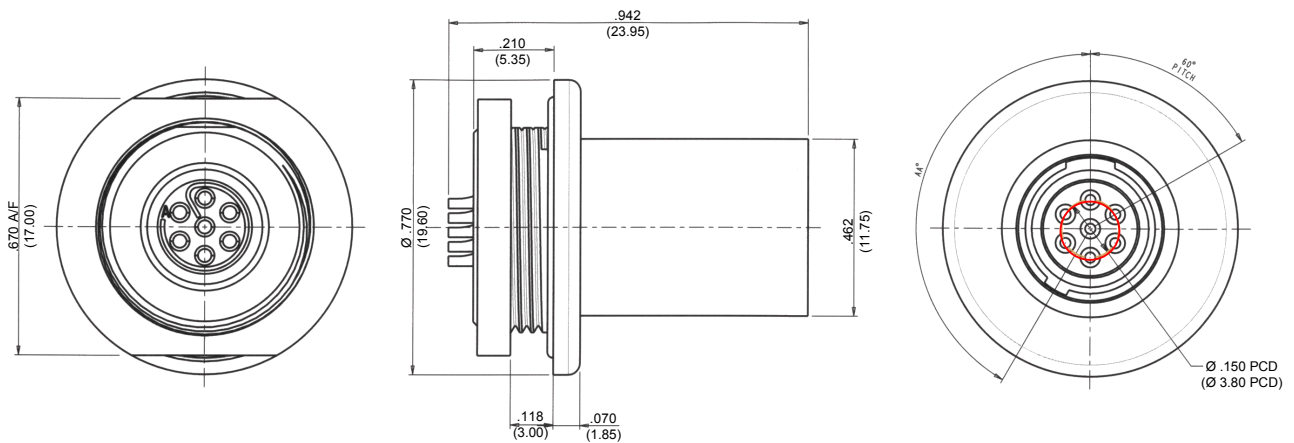
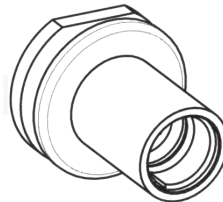


Panel Nut - Torque to 2.25 Nm = 1.65 foot pounds force

All Dimensions are for reference only
(Dimensions in brackets are in mm)

SCE-X-17A06-XXPX-002

**Jam Nut Front Mount Receptacle
Solder Bucket Contacts**

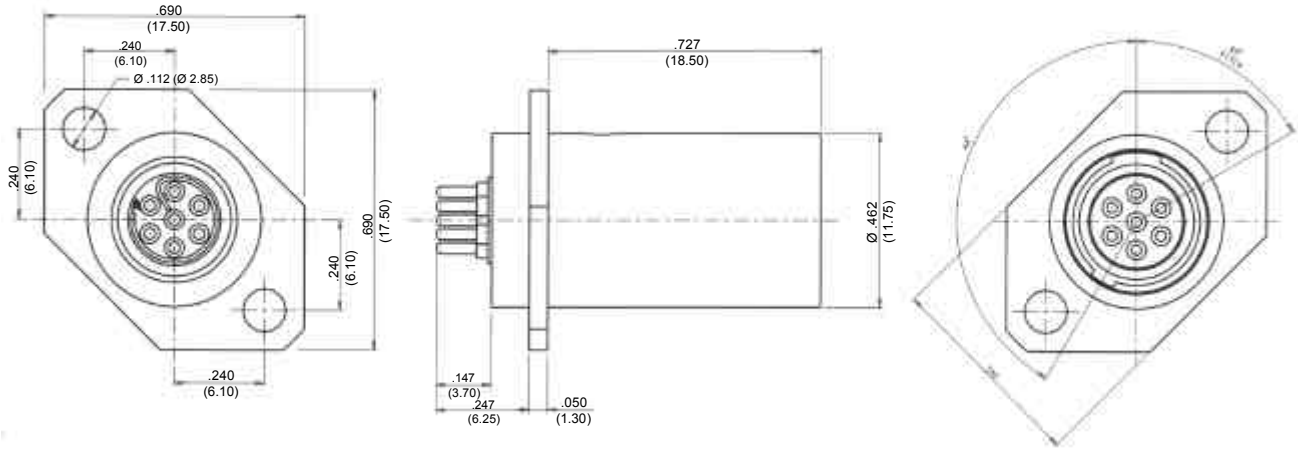
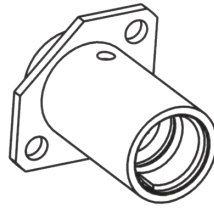


Panel Nut - Torque to 2.25 Nm = 1.65 foot pounds force

All Dimensions are for reference only
(Dimensions in brackets are in mm)

SCE-X-20A06-XXPX-001

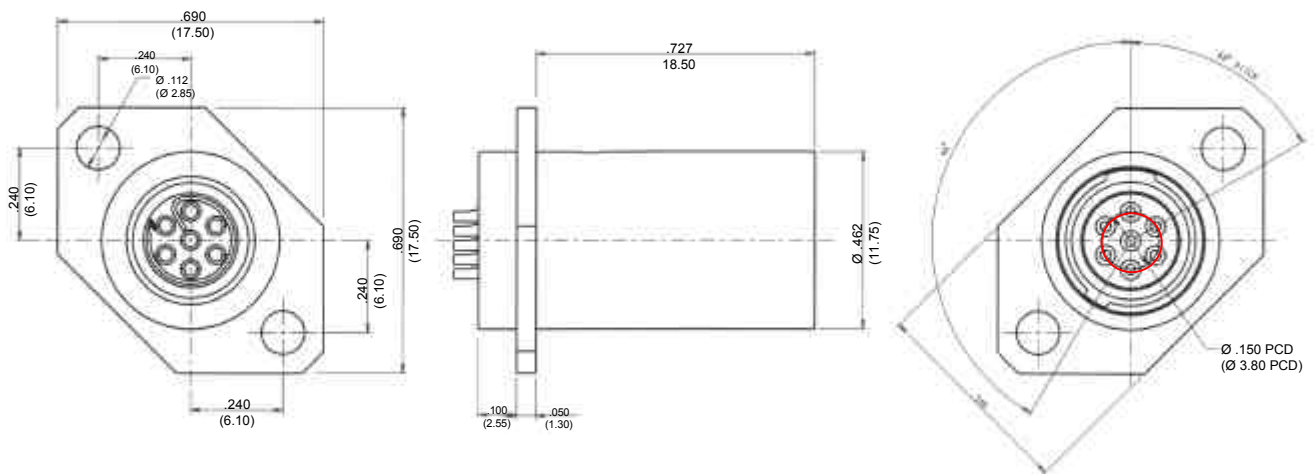
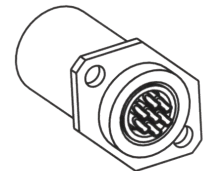
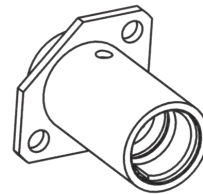
**2 Hole Mount Receptacle
PCB Contacts**



All Dimensions are for reference only
(Dimensions in brackets are in mm)

SCE-X-20A06-XXPX-002

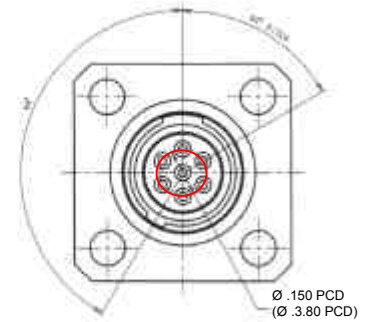
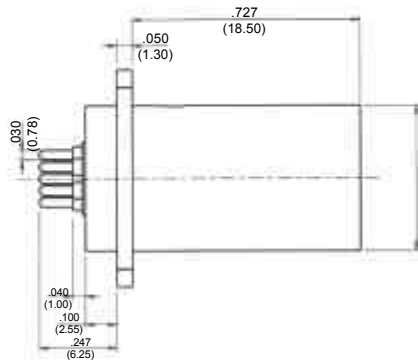
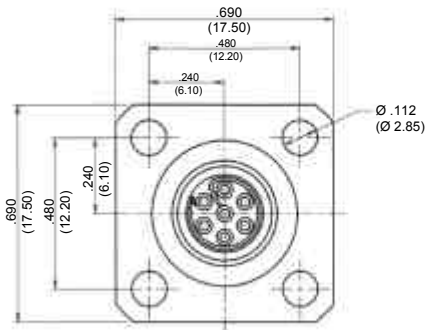
**2 Hole Mount Receptacle
Solder Bucket Contacts**



All Dimensions are for reference only
(Dimensions in brackets are in mm)

SCE-X-00A06-XXPX-001

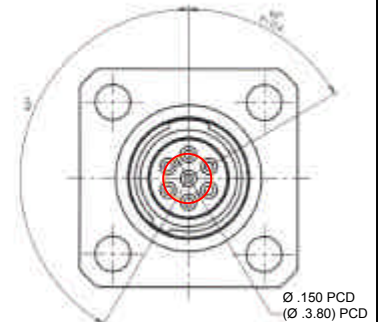
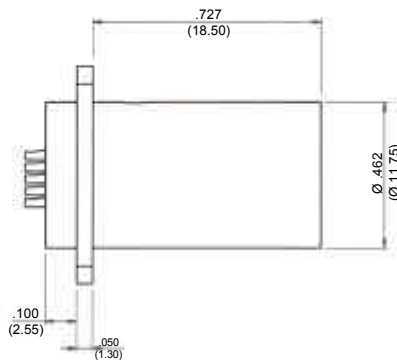
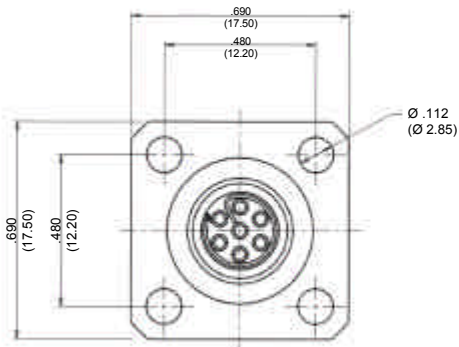
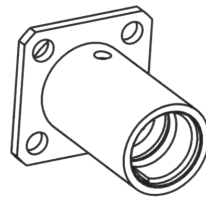
**4 Hole Mount Receptacle
PCB Contacts**



All Dimensions are for reference only
(Dimensions in brackets are in mm)

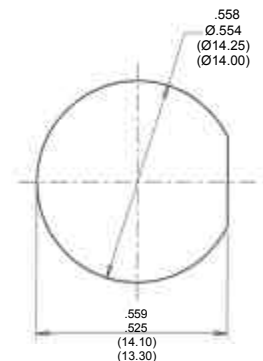
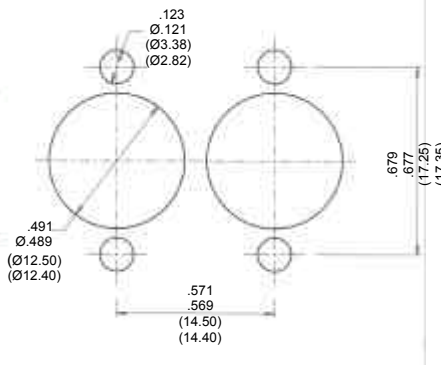
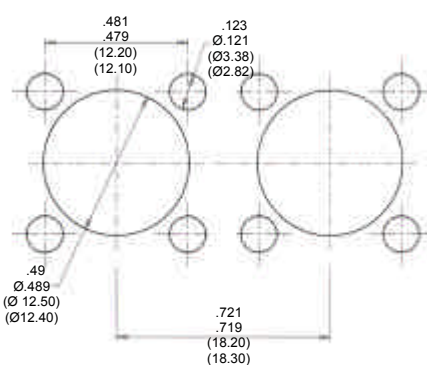
SCE-X-00A06-XXPX-002

**4 Hole Mount Receptacle
Solder Bucket Contacts**



All Dimensions are for reference only
(Dimensions in brackets are in mm)

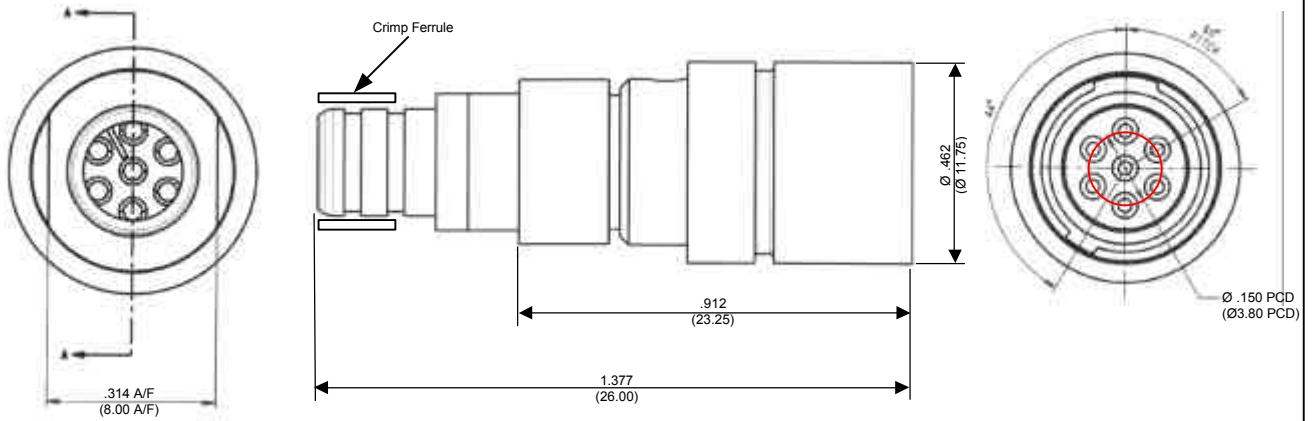
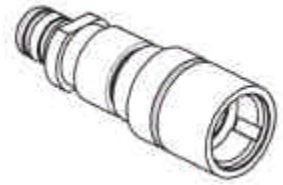
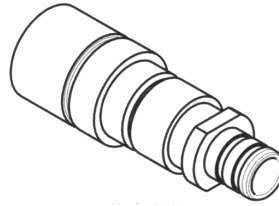
Panel Mounting Details



All Dimensions are for reference only
(Dimensions in brackets are in mm)

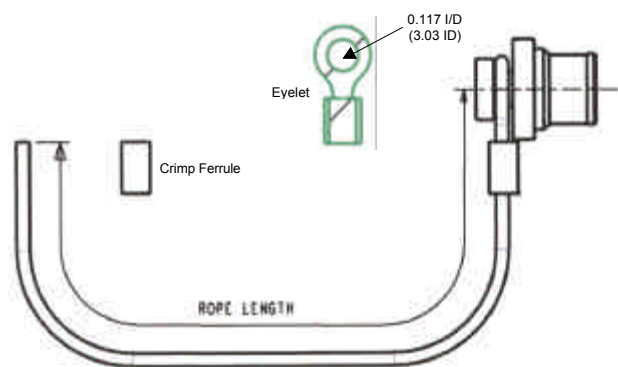
SCE-X-01T06-XXPX-003

**In Line Receptacle
Solder Bucket Contacts**



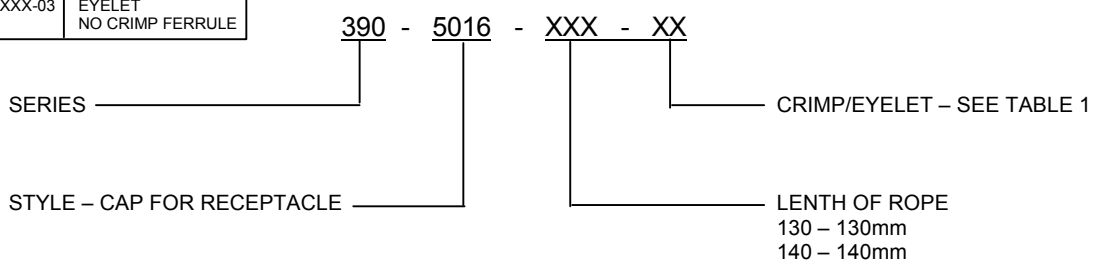
All Dimensions are for reference only
(Dimensions in brackets are in mm)

390-5016-XXX



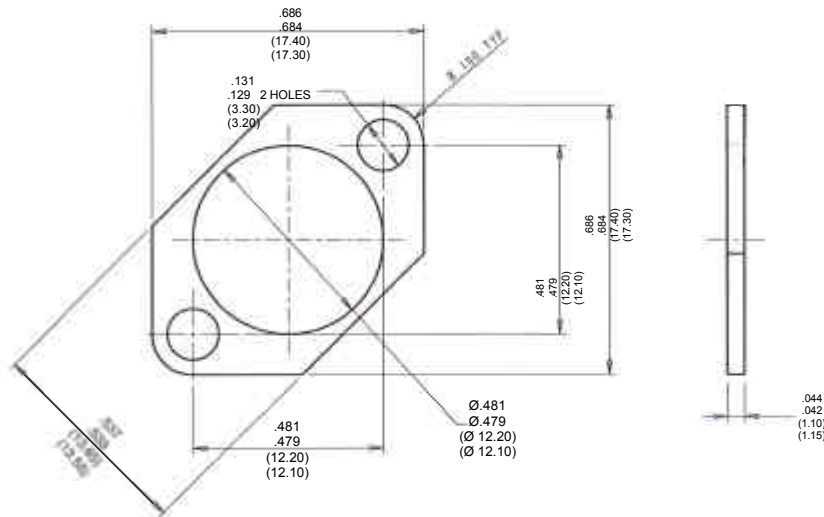
PART NO.	SUPPLY WITH
390-5016-XXX-01	NO EYELET NO CRIMP FERRULE
390-5016-XXX-02	CRIMP FERRULE NO EYELET
390-5016-XXX-03	EYELET NO CRIMP FERRULE

PART NUMBER BREAKDOWN



390-0120-01

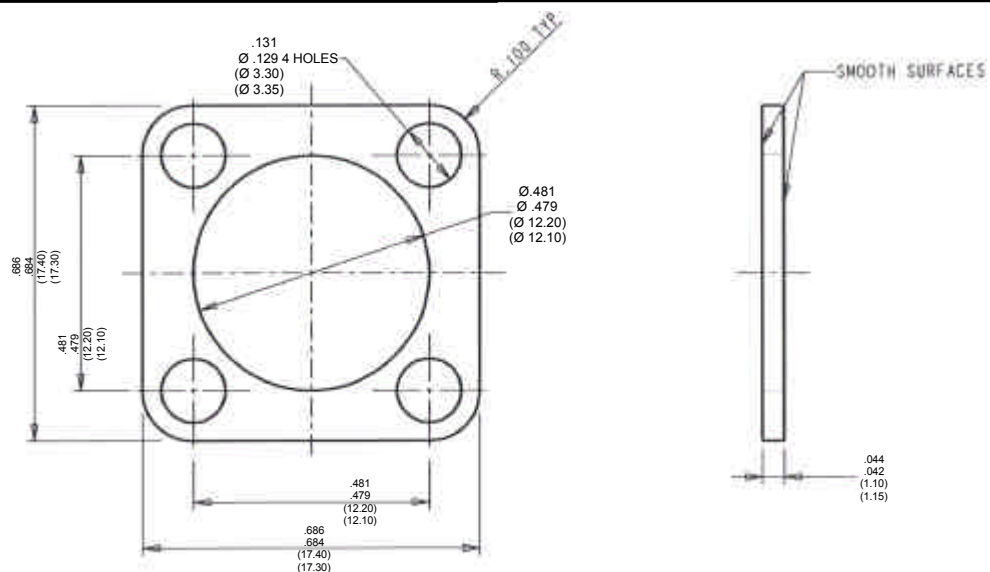
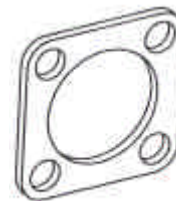
2 Hole Gasket
for 2 Hole Mount Plug



All Dimensions are for reference only
(Dimensions in brackets are in mm)

390-0121-01

4 Hole Gasket
for 4 Hole Mount Plug



All Dimensions are for reference only
(Dimensions in brackets are in mm)

SCE – Table of Styles

20GB-SCE-6XXX-XXX
Front Mount Jam Nut Receptacle to Header Assembly

LENGTH IN MM XXX – SEE TABLE

MATING HALF CONNECTOR RS-311-6546

VARIANT	LENGTH XXX
025	25MM
050	50MM
075	75MM
100	100MM
125	125MM
150	150MM

Please contact Amphenol Ltd for full part numbering information

P1 WIRING SCHEDULE P2

Panel Nut - Torque to 2.25Nm = 1.65 foot pounds force

20GB-SCE-6XXX-XXX
Rear Mount Jam Nut Receptacle to Header Assembly

LENGTH IN MM XXX – SEE TABLE

MATING HALF CONNECTOR RS-311-6546



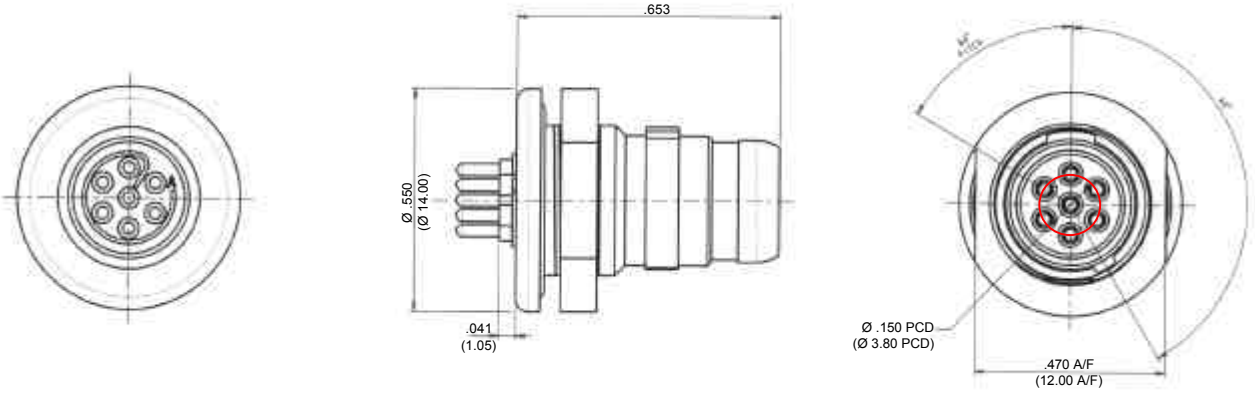
VARIANT	LENGTH XXX
025	25MM
050	50MM
075	75MM
100	100MM
125	125MM
150	150MM



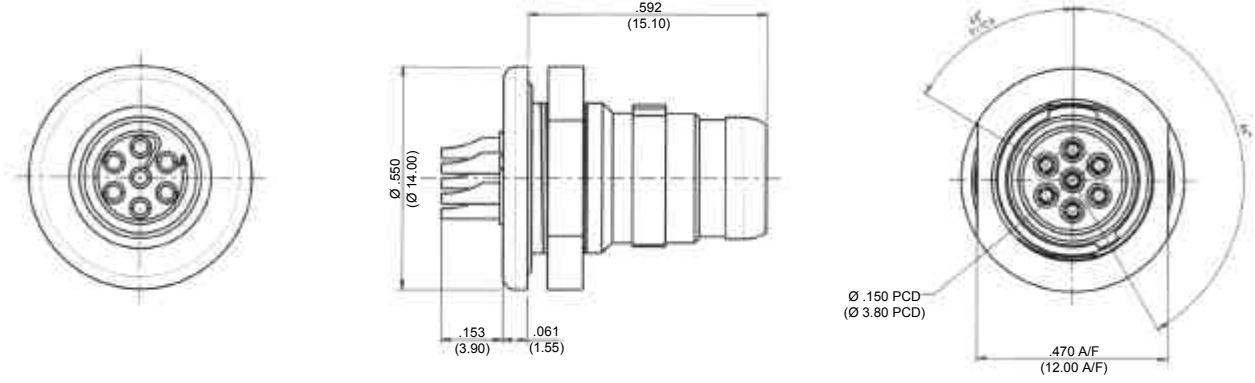
Please contact Amphenol Ltd for full part numbering information

P1 WIRING SCHEDULE P2

Panel Nut - Torque to 2.25Nm = 1.65 foot pounds force

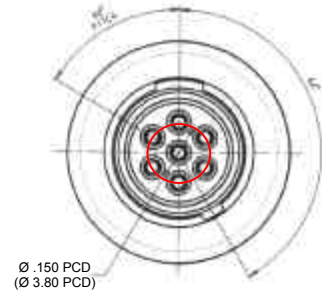
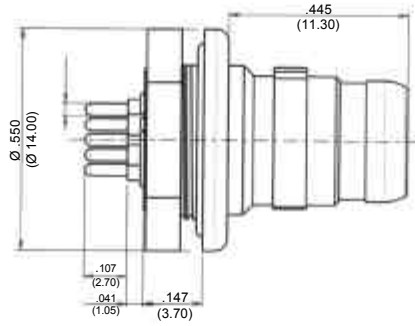
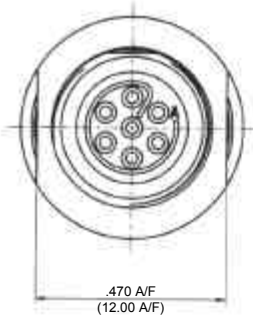
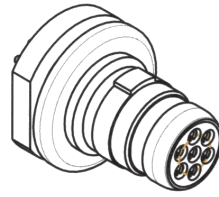
Plugs have Socket Contacts only

<p>SCE-X-76A06-XXSX-001</p> <p>Rear Mount Plug PCB Contacts</p>		
 <p>Panel Nut - Torque to 2.25Nm = 1.65 foot pounds force</p> <p>All Dimensions are for reference only (Dimensions in brackets are in mm)</p>		

<p>SCE-X-76A06-XXSX-002</p> <p>Rear Mount Plug Solder Bucket Contacts</p>		
 <p>Panel Nut - Torque to 2.25Nm = 1.65 foot pounds force</p> <p>All Dimensions are for reference only (Dimensions in brackets are in mm)</p>		

SCE-X-67A06-XXSX-001

**Front Mount Plug
PCB Contacts**

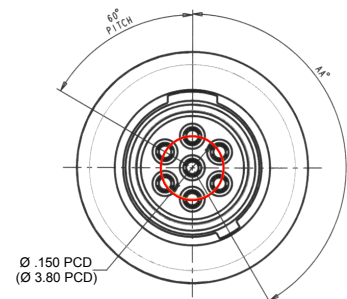
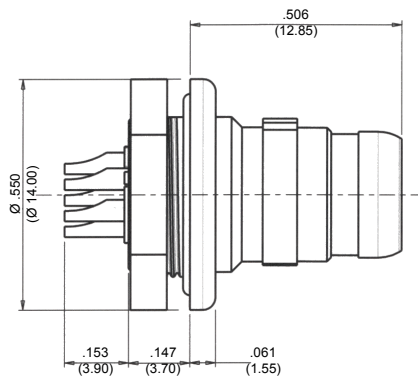
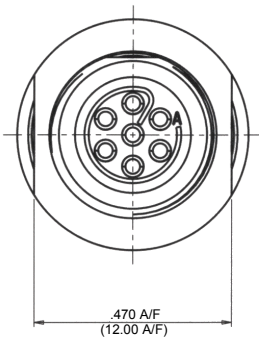
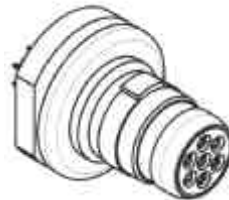


Panel Nut - Torque to 2.25Nm = 1.65 foot pounds force

All Dimensions are for reference only
(Dimensions in brackets are in mm)

SCE-X-67A06-XXSX-002

**Front Mount Plug
Solder Bucket Contacts**

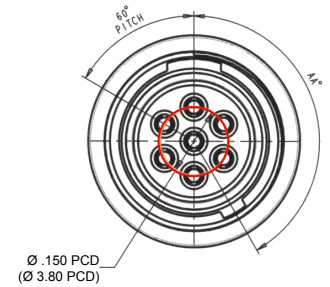
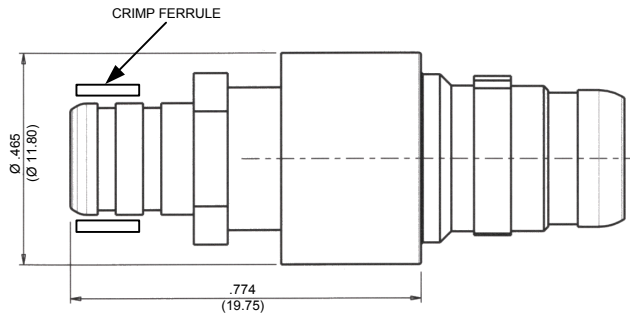
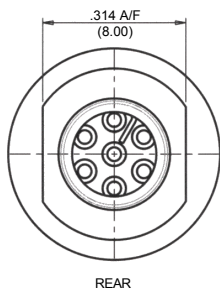
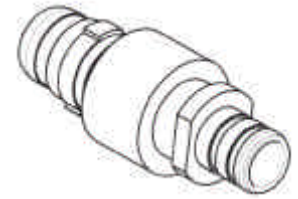
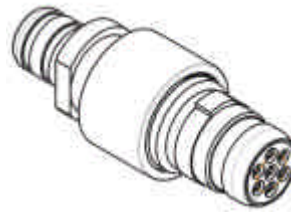


Panel Nut - Torque to 2.25Nm = 1.65 foot pounds force

All Dimensions are for reference only
(Dimensions in brackets are in mm)

SCE-X-06T06-XXSX-003

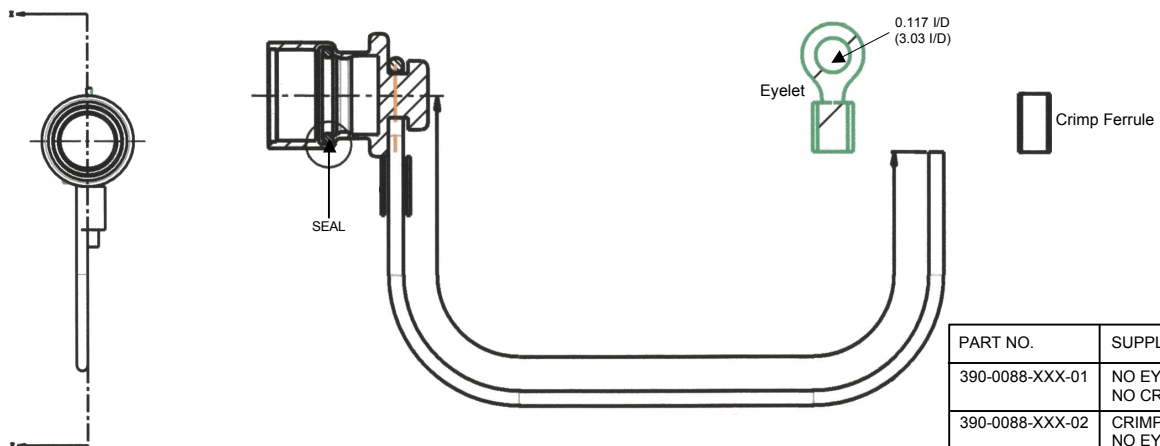
**In Line Plug
Solder Bucket Contacts only
(complete with Backshell)**



Drawings show Receptacle with Backshell

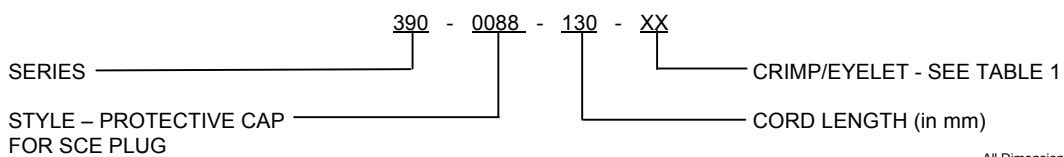
All Dimensions are for reference only
(Dimensions in brackets are in mm)

**390-0088-130-XX
Plug Dust Cap Assembly**



PART NO.	SUPPLY WITH
390-0088-XXX-01	NO EYELET NO CRIMP FERRULE
390-0088-XXX-02	CRIMP FERRULE NO EYELET
390-0088-XXX-03	EYELET NO CRIMP FERRULE

PART NUMBER INFORMATION

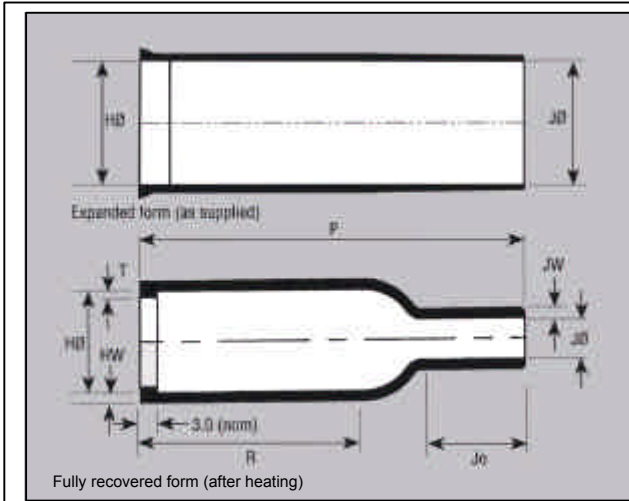


All Dimensions are for reference only
(Dimensions in brackets are in mm)

For use with SCE-06T and SCE-01T

We have selected Heatshrink Boots from Hellermann Tyton. Heatshrink Boots from other manufacturers may be used if appropriate.

100 Series – Bottle Shapes with Rib – MIL Style

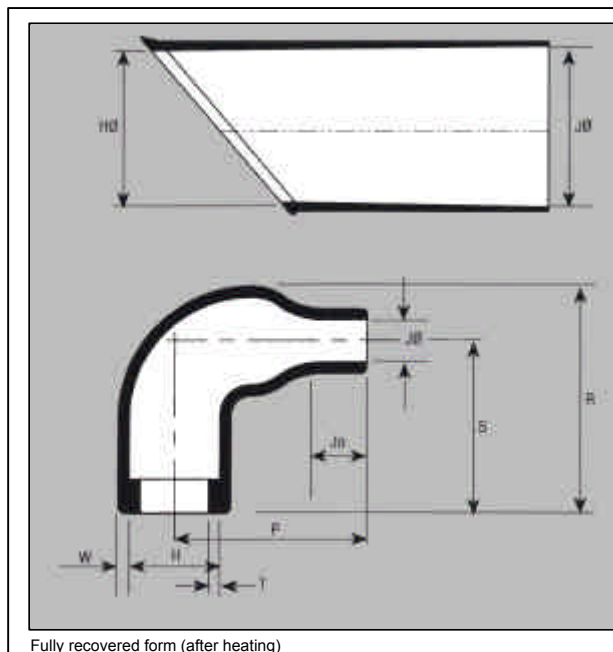


This style is used in conjunction with the backshell (see page 13) providing strain relief and environmental sealing

Dimensions apply to all materials unless otherwise indicated

Hellermann Part No	Expanded (Min)				Recovered (Max)		Recovered Dimensions Fully Shrank					
	H	H -H matl	JØ	J -H matl	H	JØ	P ±10%	R ±10%	Jo ±10%	HW ±10%	JW ±10%	T ±10%
113-4-G-WM250	0.3976 (10.7)	0.3976 (10.7)	0.1811 (4.6)	0.1811 (4.6)	0.3110 (7.9)	0.0787 (2.0)	1.0 (25.4)	0.5709 (14.5)	0.1811 (4.6)	0.0512 (1.3)	0.0512 (1.3)	0.0394 (1.0)

1100 Series – Right Angle Shapes with Rib – MIL Style



The style provides strain relief for harness systems when used in conjunction with the backshell (see page 13)

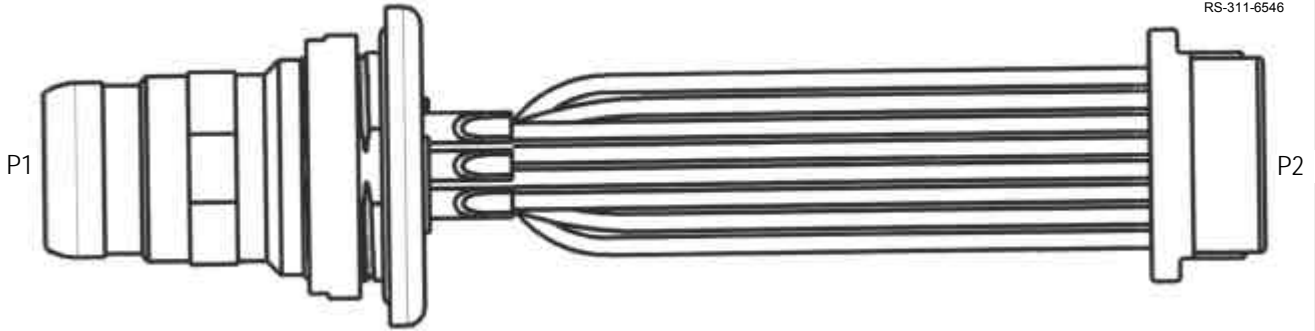
Dimensions apply to all materials unless otherwise indicated

Hellermann Part No	Expanded (Min)		Recovered (Max)		Recovered Dimensions Fully Shrank					
	H	JØ	H	JØ	P ±10%	R ±10%	S ±10%	Jo ±10%	W ±20%	T ±20%
1108-4-G-WM250	0.6496 (16.5)	0.6496 (16.5)	0.3110 (7.9)	0.1496 (3.8)	0.6875 (17.3)	0.7969 (20.1)	0.6005 (15.2)	0.1614 (4.1)	0.0394 (1.0)	0.0394 (1.0)

20GB-SCE-6XXX-XXX

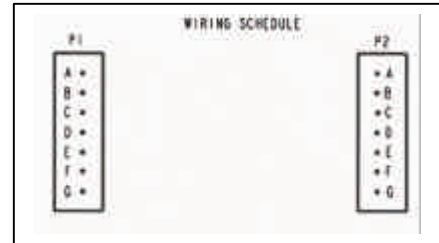
Jam Nut Plug Rear Mount to Header Assembly – Solder Bucket Contacts only

MATING HALF CONNECTOR RS-311-6546



VARIANT	LENGTH XXX
025	25MM
050	50MM
075	75MM
100	100MM
125	125MM
150	150MM

Please contact Amphenol Ltd for full part numbering information



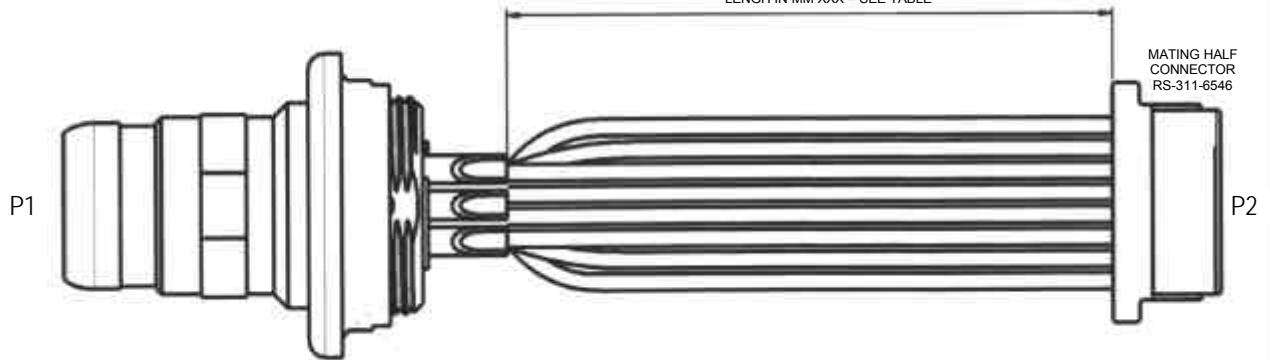
Panel Nut - Torque to 2.25Nm = 1.65 foot lbs force

20GB- SCE-6XXX-XXX

Jam Nut Plug Front Mount to Header Assembly – Solder Bucket Contacts only

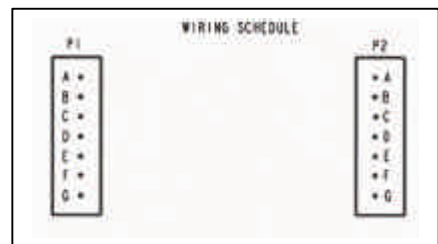
LENGTH IN MM XXX – SEE TABLE

MATING HALF CONNECTOR RS-311-6546



VARIANT	LENGTH XXX
025	25MM
050	50MM
075	75MM
100	100MM
125	125MM
150	150MM

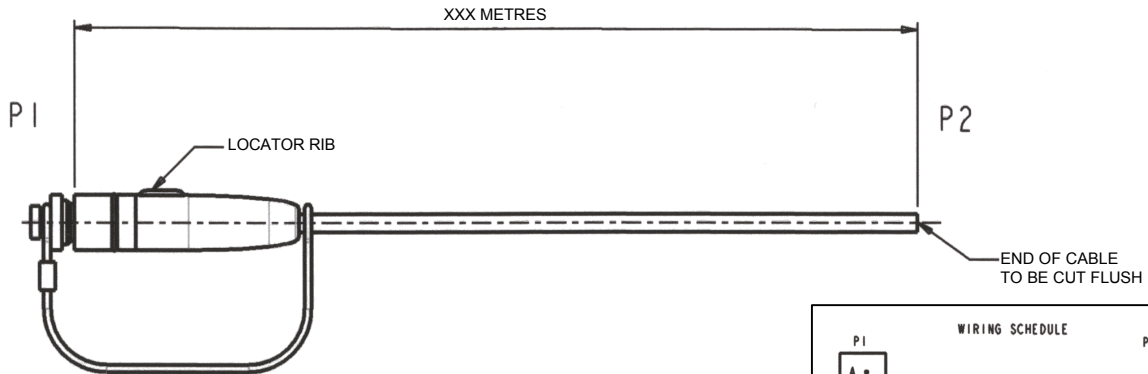
Please contact Amphenol Ltd for full part numbering information



Panel Nut - Torque to 2.25Nm = 1.65 foot lbs force

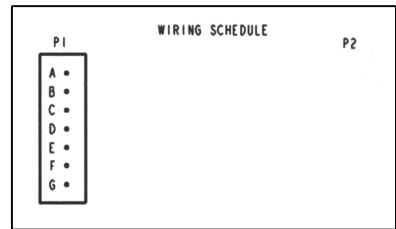
Amphenol Ltd can supply complete overmoulded cable harness solutions to your specifications. The following templates are of common harness configurations. Please consult factory for cable number allocation.

Up to 7 Way Single-Ended Receptacle Cable Assembly

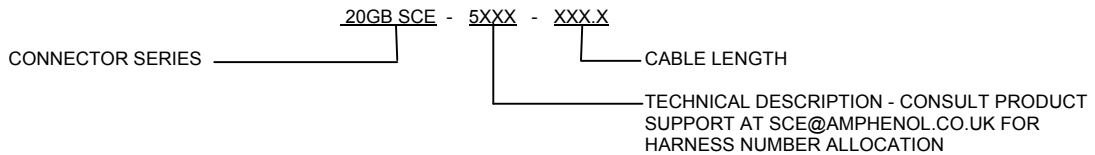


NOTES:

1. THE MAIN KEY OF THE CONNECTOR IS TO BE IN LINE WITH THE LOCATION RIB ON THE OVERMOULD
2. ALL DIMENSIONS ARE FOR REFERENCE ONLY
3. XXX.X IN PART NUMBER DENOTES CABLE LENGTH IN METRES E.G. 5.5M = 005.5

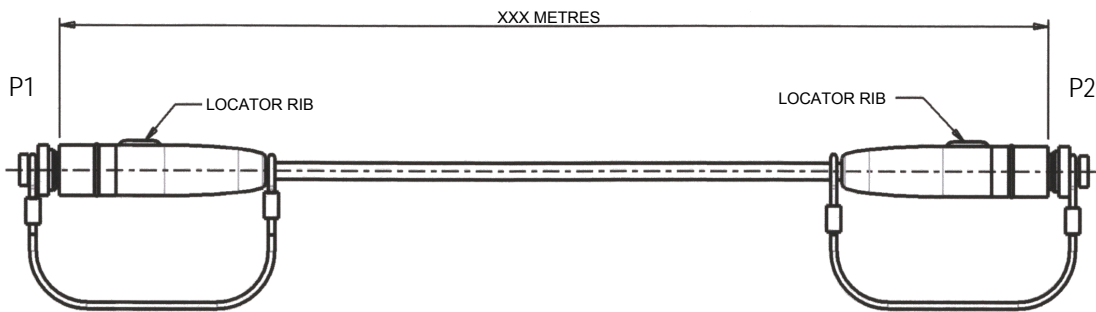


PART NUMBER INFORMATION



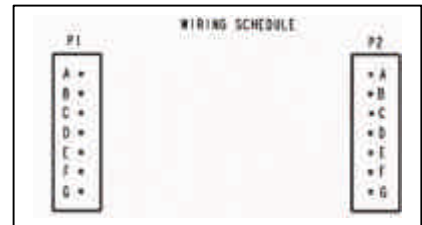
All Dimensions are for reference only
(Dimensions in brackets are in mm)

Up to 7 Way Double-Ended Receptacle to Receptacle Cable Assembly

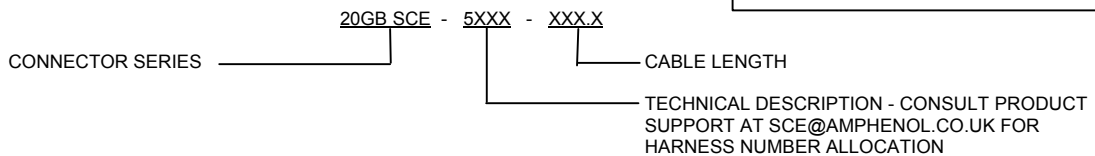


NOTES:

1. THE MAIN KEY OF THE CONNECTOR IS TO BE IN LINE WITH THE LOCATION RIB ON THE OVERMOULD
2. ALL DIMENSIONS ARE FOR REFERENCE ONLY
3. XXX.X IN PART NUMBER DENOTES CABLE LENGTH IN METRES E.G. 5.5M = 005.5

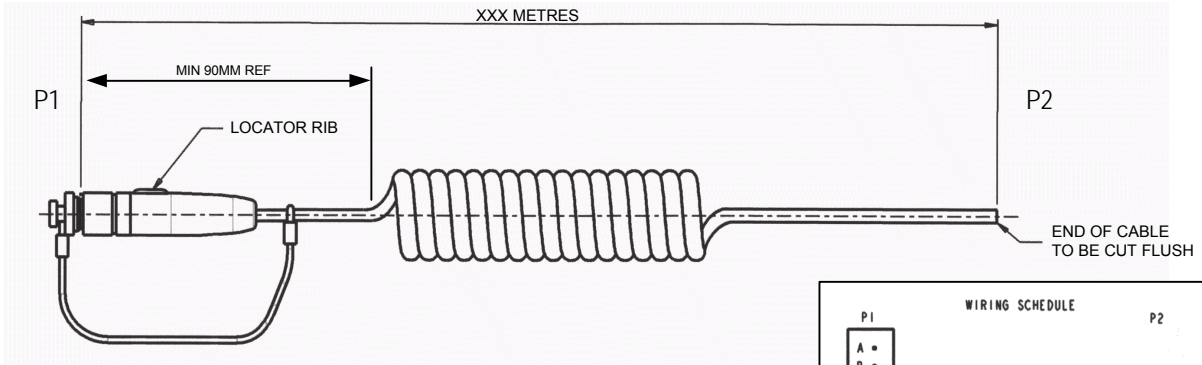


PART NUMBER INFORMATION



All Dimensions are for reference only
(Dimensions in brackets are in mm)

Up to 7 Way Single-Ended Receptacle Coiled Cable Assembly

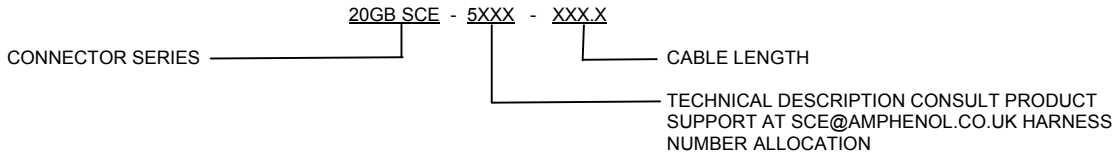


NOTES:

1. THE MAIN KEY OF THE CONNECTOR IS TO BE IN LINE WITH THE LOCATION RIB ON THE OVERMOULD
2. ALL DIMENSIONS ARE FOR REFERENCE ONLY
3. XXX.X IN PART NUMBER DENOTES CABLE LENGTH IN METRES E.G. 5.5M = 005.5

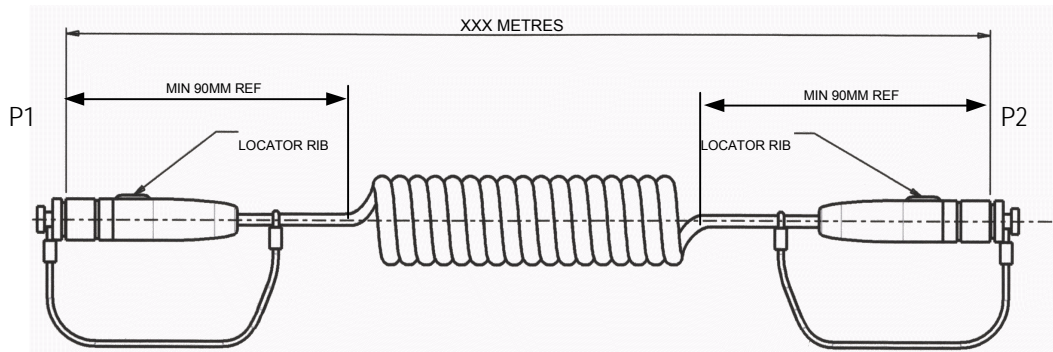
P1	WIRING SCHEDULE	P2
A •		
B •		
C •		
D •		
E •		
F •		
G •		

PART NUMBER INFORMATION



All Dimensions are for reference only
(Dimensions in brackets are in mm)

Up to 7 Way Double-Ended Receptacle to Receptacle Coiled Cable Assembly

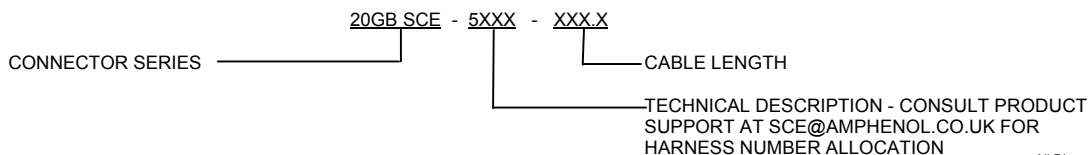


NOTES:

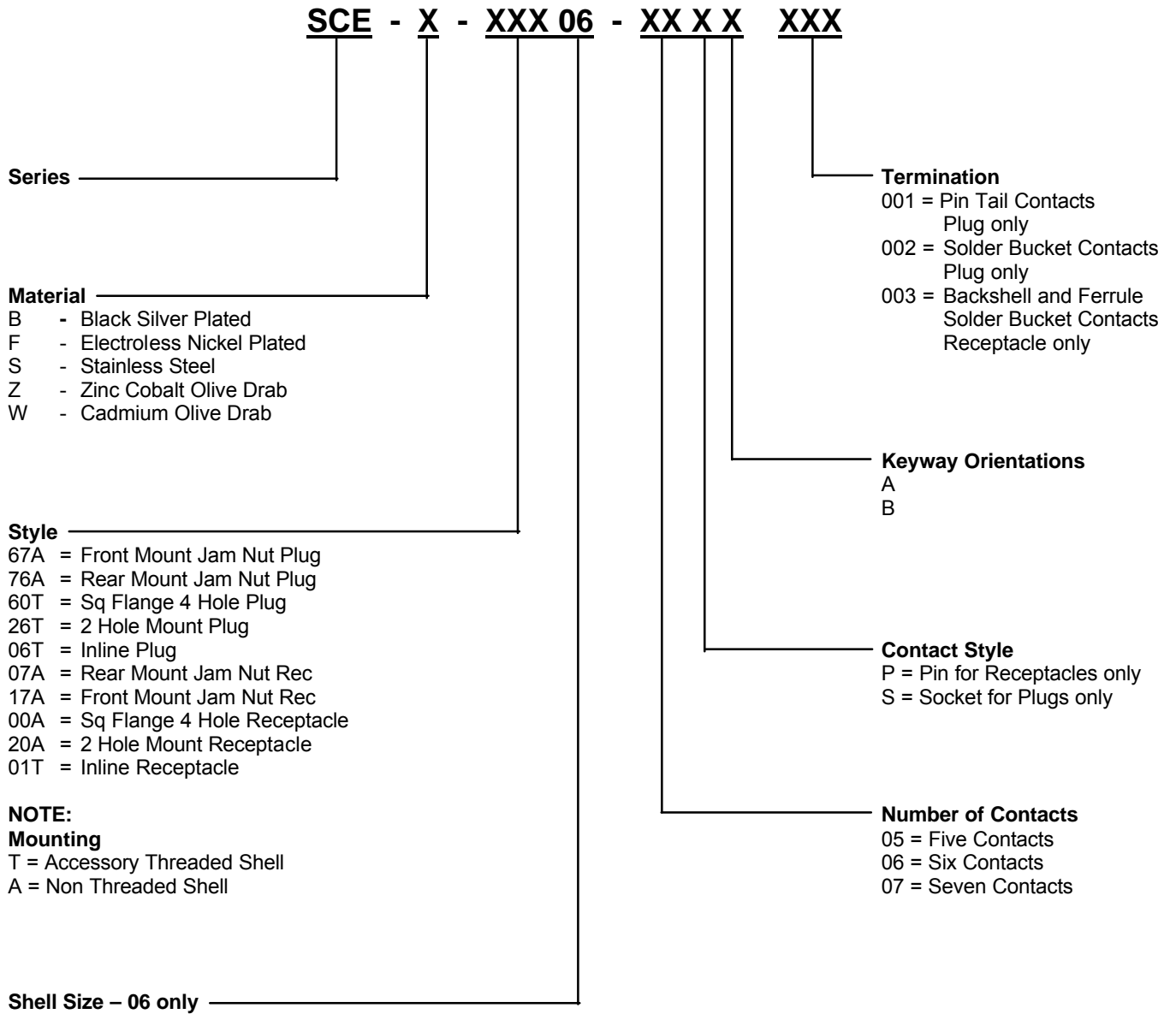
1. THE MAIN KEY OF THE CONNECTOR IS TO BE IN LINE WITH THE LOCATION RIB ON THE OVERMOULD
2. ALL DIMENSIONS ARE FOR REFERENCE ONLY
3. XXX_X IN PART NUMBER DENOTES CABLE LENGTH IN METRES E.G. 5.5M = 005.5

P1	WIRING SCHEDULE	P2
A •		A •
B •		B •
C •		C •
D •		D •
E •		E •
F •		F •
G •		G •

PART NUMBER INFORMATION

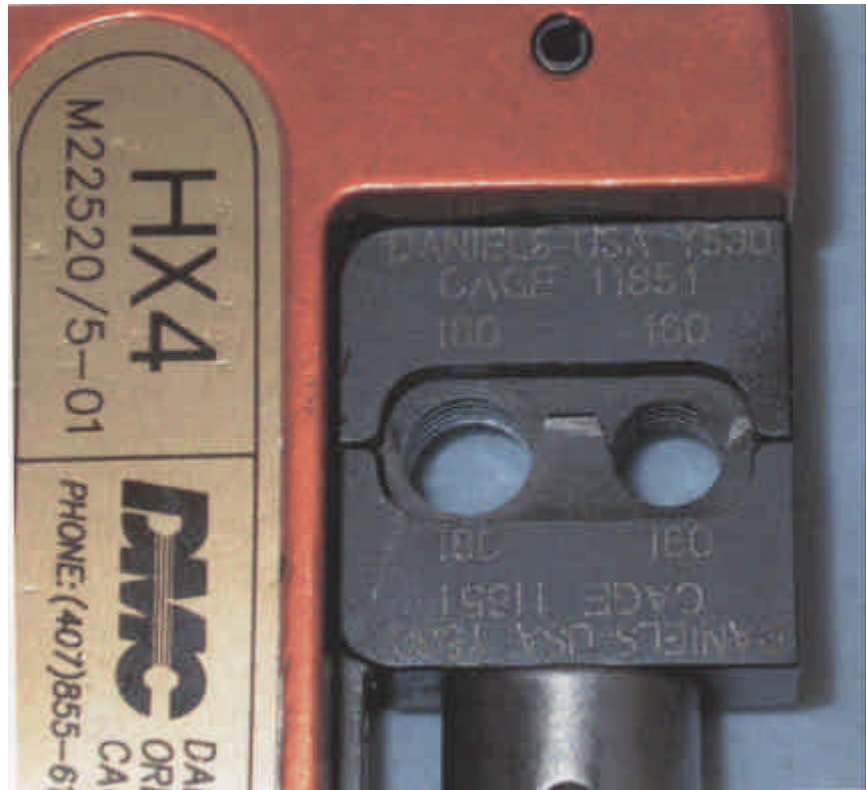
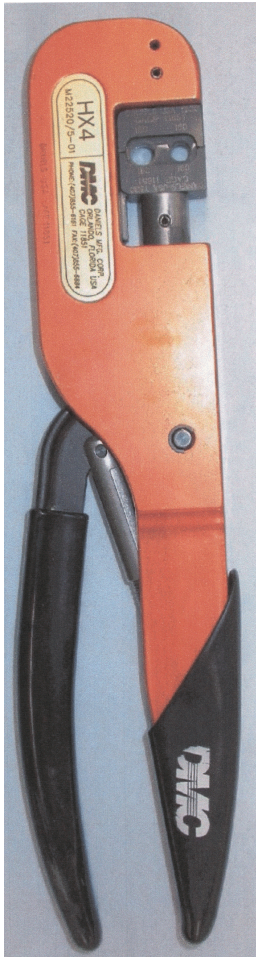


All Dimensions are for reference only
(Dimensions in brackets are in mm)



For Braid Termination Style 003

Crimp the Braid into place so that the ferrule butts up against the shoulder of the backshell. Use crimp tool Daniels HX4 M22520/5-01 handle, crimp die set Daniels Y530 CAGE 11851 at setting 180.



March 2005

Notice: Products are sold subject to Amphenol's Standard Conditions of Sale. All specifications and statements contained herein are believed to be correct at the time of printing but no representation or warranty, express or implied, is given as to any specification or statement contained herein. Product specifications including performance characteristics are typical only and subject to deviation. Specifications are also subject to change without notice. Users should not assume that all safety measures are indicated or that other measures may not be required. No representation or warranty, express or implied, is given that any use of products (including any stated or suggested use) does not infringe any patent, registered design or other third party rights and no stated or suggested use of products can be taken to recommend any such infringement.

Amphenol

Thanet Way, Whitstable, Kent. CT5 3JF Tel: 01227 773200 Fax: 01227 276571