

# PRODUCT DATA DRAWING

CAD GENERATED DRAWING	DCN CONTROLLED DOCUMENT	DWG. NO. <b>SF2950-6062</b>
-----------------------------	-------------------------------	--------------------------------

## ENG. FILE COPY

**MATERIAL:**

**BODY:** STAINLESS STEEL PER AMS-5640, UNS S30300, TYPE I.

**CONTACT:** BERYLLIUM COPPER PER ASTM-B-196, ALLOY C17300, COND. TD04.

**INSULATOR:** TEFLON PER ASTM-D-1457.

**FINISH:**

**BODY:** PASSIVATED PER QQ-P-35C, TYPE II.

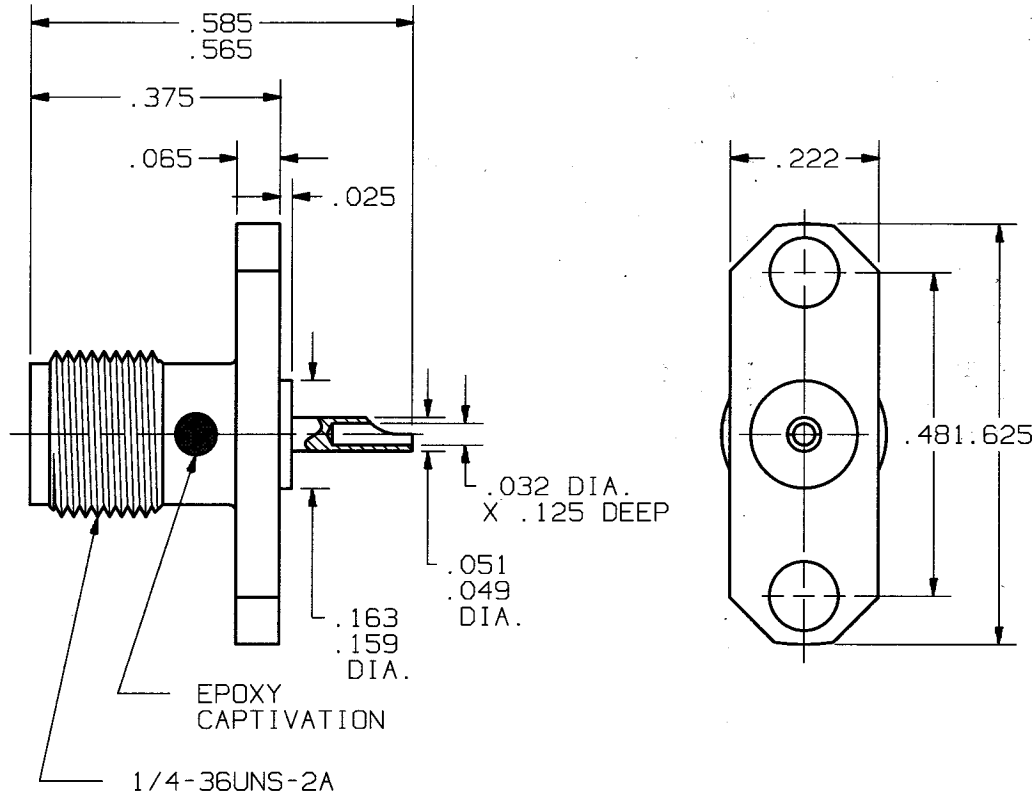
**CONTACT:** GOLD PER MIL-G-45204, TYPE I, GRADE C, CLASS 1; OVER NICKEL PER QQ-N-290, CLASS 1.

**IMPEDANCE:** 50 OHMS

**FREQ. RANGE:** DC-18.0 GHz

**D. W. V.:** 1000 VRMS

**INSUL. RES.:** 5000 MEGOHMS MIN.



SYM.	DESCRIPTION	DATE	APPR.	UNLESS OTHERWISE SPECIFIED: 1) ALL DIMENSIONS ARE AFTER PLATING. 2) BREAK CORNERS & EDGES .005 R. MAX. 3) CHAM. 1st & LAST THDS. 4) SURFACE ROUGHNESS 63 / MIL-STD-10. 5) DIAS. ON COMMON CENTERS TO BE CONCENTRIC WITHIN .005 T.I.R. 6) REMOVE ALL BURRS.	DIMENSIONS ARE IN INCHES TOLERANCES:			Solitron Vector Microwave 3301 ELECTRONICS WAY WEST PALM BEACH, FL. 33407
					DECIMALS .X ±.030 .XX ±.015 .XXX ±.005	FRACTIONAL ±1/64	ANGULAR X° ±1°0' X°X' ±15'	
-	REV. DCN 23356	4/97	[Signature]	DRAWN: BRT 4/03/97	MATERIAL: SEE ABOVE			TITLE: SMA JACK 2 HOLE FLANGE MOUNT WITH SOLDER CUP
				CHECKED: [Signature] 4/7/97	FINISH: SEE ABOVE	AREA: N/A	DWG. NO.	
				APPROVED: [Signature] 4/8/97	SIZE: A	CAGE NO. 95077	SCALE: 4X	SF2950-6062