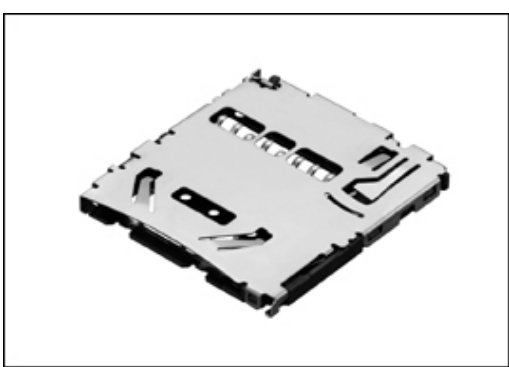


? Photo ? Dimensions ? Mounting Dimensions ? Packing Specifications ? Soldering Conditions ?

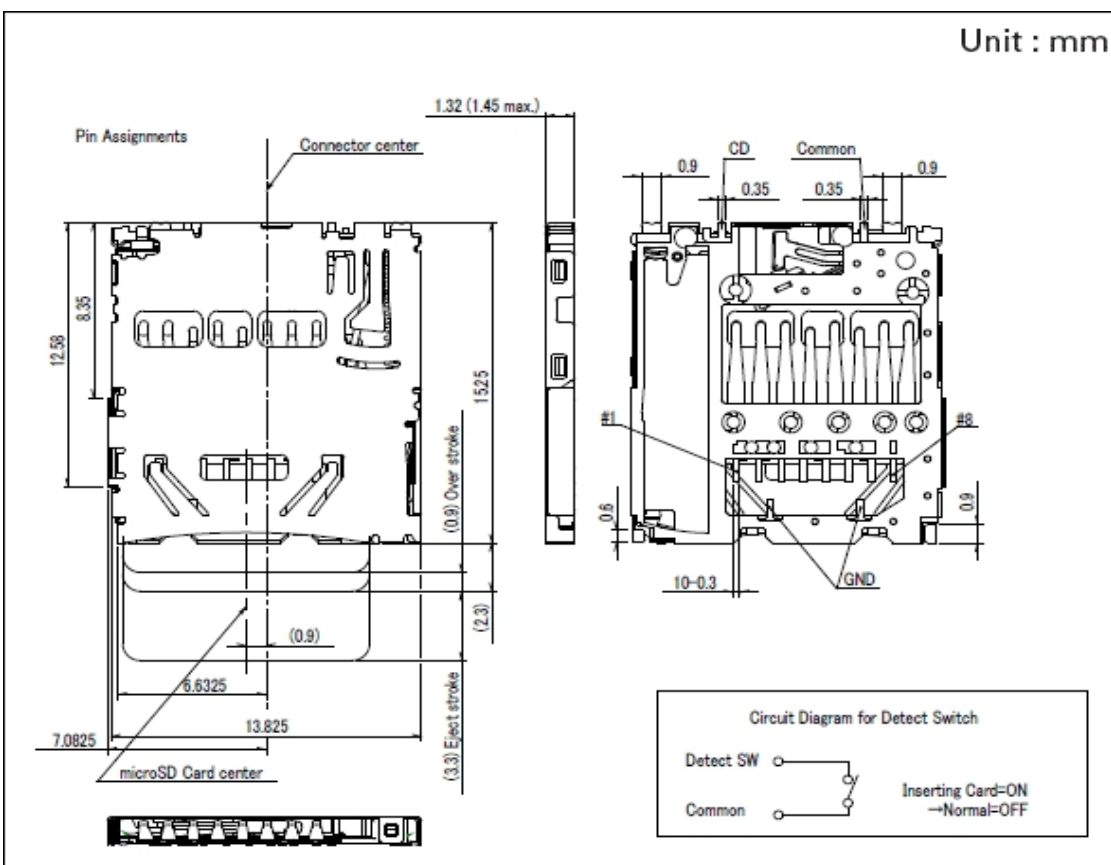
PRINT

Part number	SCHA4B0415	
Applicable media	microSD™ Memory Card	
Media ejection structure	Push-push type	
Mounting type	Surface mounting type	
Mounting style	Standard mount	
Features	With switches and fly-out protection	
Stand-off	0mm	
Packing system	Taping	
Minimum order unit (pcs.)	2,000	
Operating temperature range	-20° to +70°	
Voltage proof	500V AC 1minute	
Insulation resistance (Initial)	1,000M? min.	
Contact resistance (Initial)	Connector contacts	100m? max.
	Detection Switch	500m? max.
Insertion and removal cycle	10,000 cycles	
3D CAD (STEP)	↓	
Certificate of Compliance to RoHS regulations	↓	

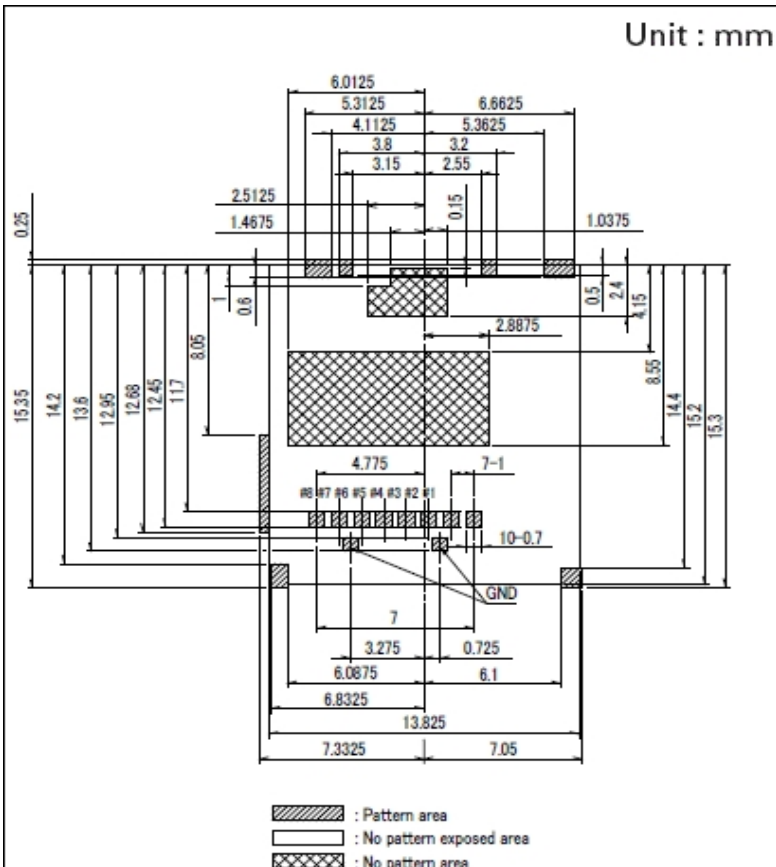
Photo



Dimensions

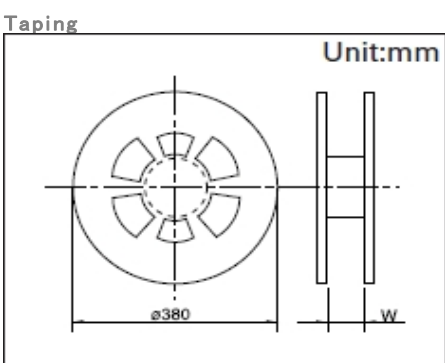


Mounting Dimensions



Viewed from mounting face side.

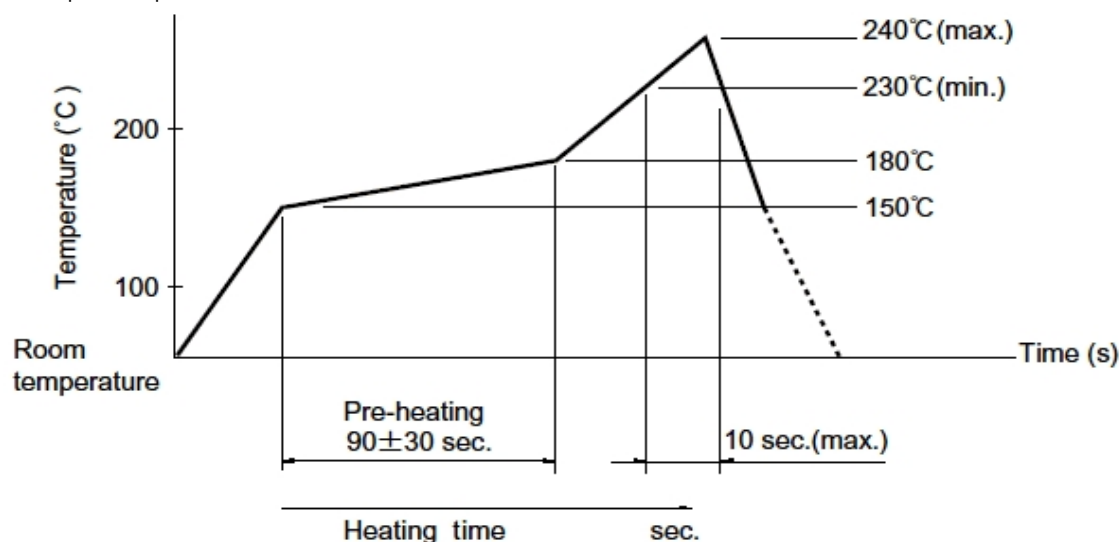
Packing Specifications



Number of packages (pcs.)	1 reel	2,000
	1 case / Japan	6,000
	1 case / export packing	12,000
Reel width W(mm)	24.4	
Tape width (mm)	24	
Export package measurements (mm)	403 × 403 × 249	

Soldering Conditions

- Example of Reflow Soldering Condition (Reference)
 1. Heating method
 Double heating method with infrared heater.
 2. Temperature measurement
 Thermocouple 0.1 to 0.2 ? CA (K) or CC (T) at soldering portion.
 3. Temperature profile.



Notes are common to this series/models.

- This site catalog shows only outline specifications. When using the products, please obtain formal specifications for supply.
- Please place purchase orders per minimum order unit (integer).

Inquiries about Products

[Inquiry](#)

For more information please contact: Sales or Products Information Center.
 1-7, Yukigaya-otsukamachi, Ota-ku, Tokyo, Japan 145-8501
 PHONE : +81 (3) 5499-8154