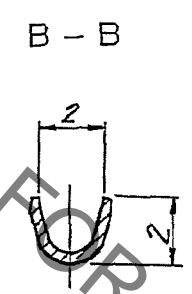
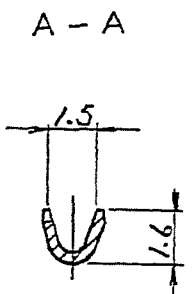
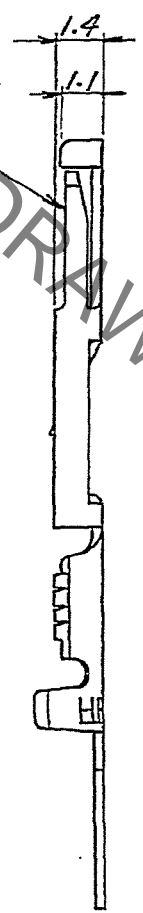
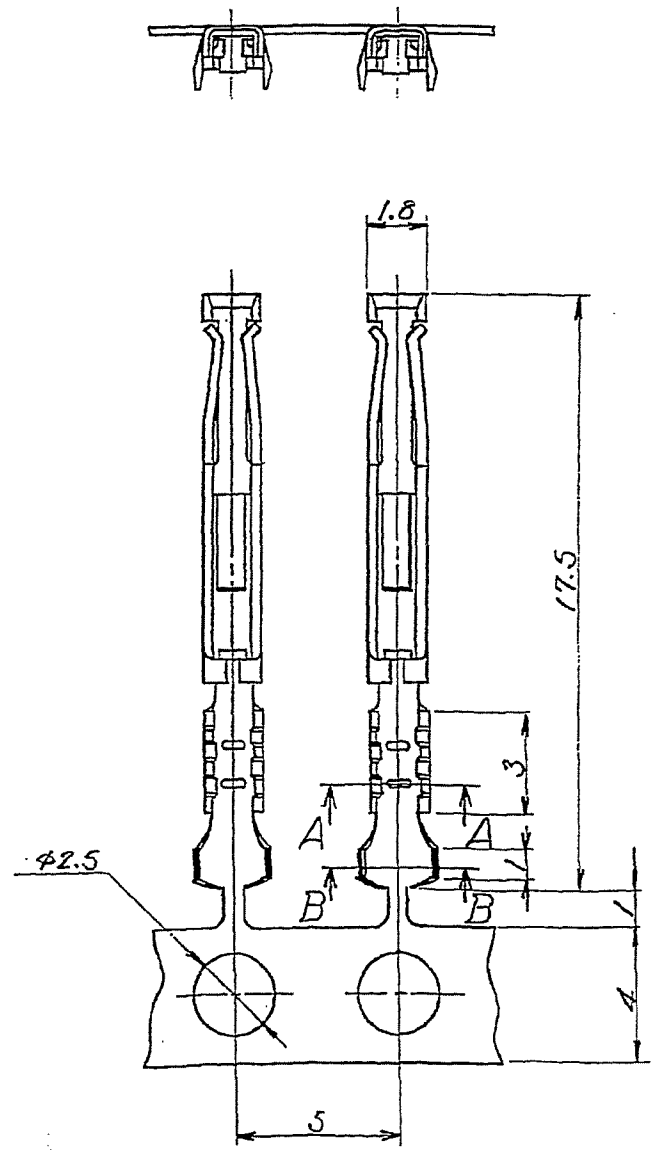
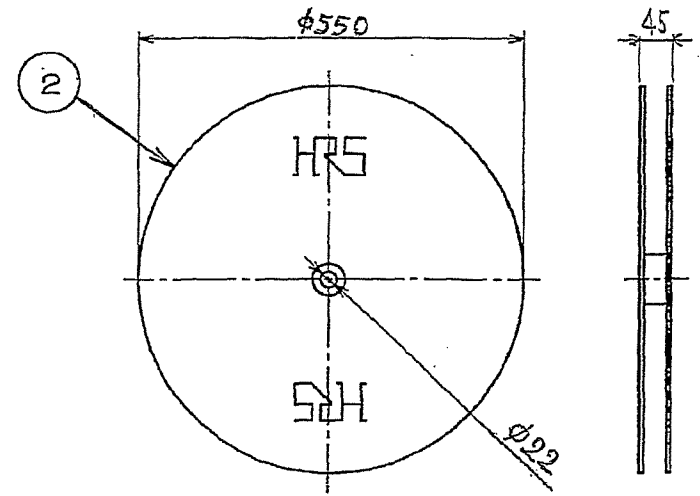


Jun.1.2019 Copyright 2019 HIROSE ELECTRIC CO., LTD. All Rights Reserved.
In case of consideration for using Automotive equipment / device which demand high reliability, kindly contact our sales window correspondents.

COUNT	DESCRIPTION OF REVISIONS	BY	CHKD	DATE	COUNT	DESCRIPTION OF REVISIONS	BY	CHKD	DATE
2	DIS-E-002130	T.I	K.N	08.02.19					..
			
			



DIMENSION OF REEL (1:10) \triangle



HRS DRAWING FOR REFERENCE

NOTES 1. THE DIMENSIONS WITHOUT TOLERANCE ARE FOR REFERENCE.
 \triangle 2. PER REEL : 10000 CONTACTS.

1	PHOSPHOR BRONZE	OVER :GOLD PLATING 0.2 μ m min UNDER:NICKEL PLATING 1 μ m min	2	CARTON	
NO.	MATERIAL	FINISH, REMARKS	NO.	MATERIAL	FINISH, REMARKS
CODE NO.(OLD) CL			DRAWN T. ITO '08.01.17	DESIGNED T. ITO '08.01.17	CHECKED K. NAGANUMA '08.01.17
			APPROVED Y. ENAMI '08.01.17	RELEASED ..	
DRAWING NO. EDC3-007335-01		PART NO. SC-1600-211			
SCALE 5 : 1		UNITS mm		CODE NO. CL216-0365-1-00	
HRS HIROSE ELECTRIC CO., LTD					

TO
Q