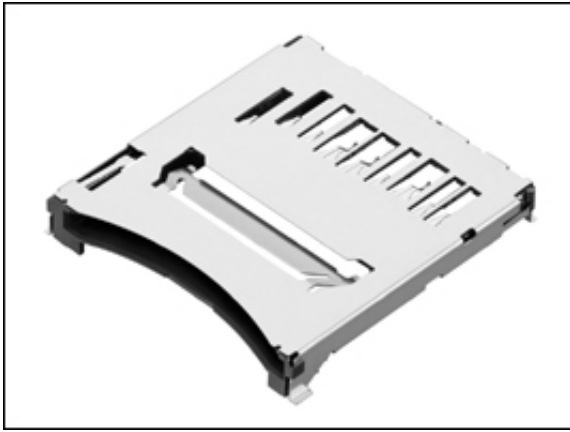


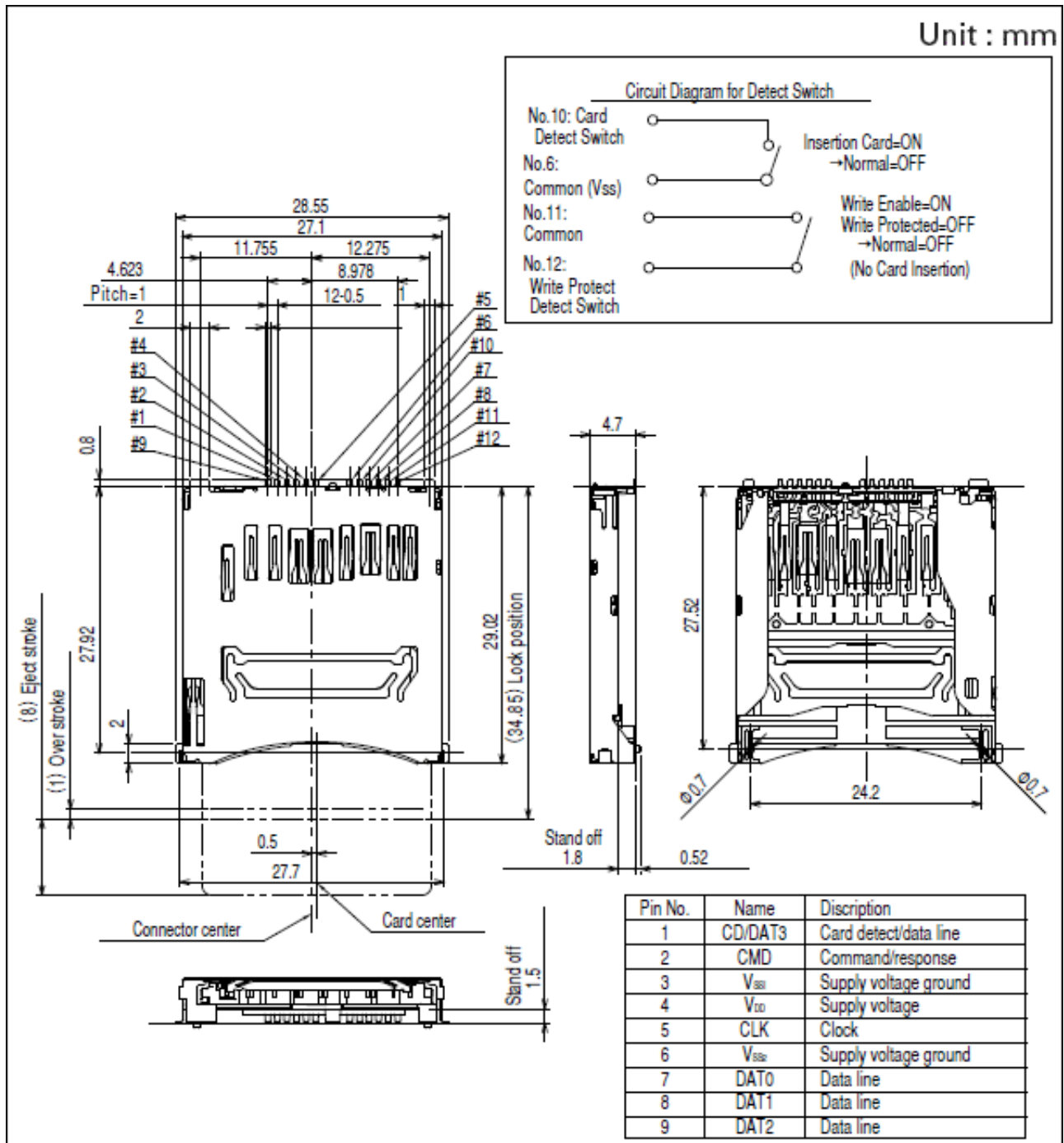
For SD Memory Card SCDA Series

Part number	SCDAAA0604	
Applicable media	SD Memory Card MultiMediaCard™	
Media ejection structure	Push-push type	
Mounting type	Surface mounting type	
Mounting style	Reverse mount	
Features	Outer tail	
Stand-off	1.8mm	
Minimum order unit (pcs.)	300	
Operating temperature range	-25°C to +60°C	
Voltage proof	100V AC 1 minute	
Insulation resistance (Initial)	1,000MΩ min.	
Contact resistance (Initial)	Connector contacts	100mΩ max.
	Detection Switch	500mΩ max.
Insertion and removal cycle	10,000 cycles	

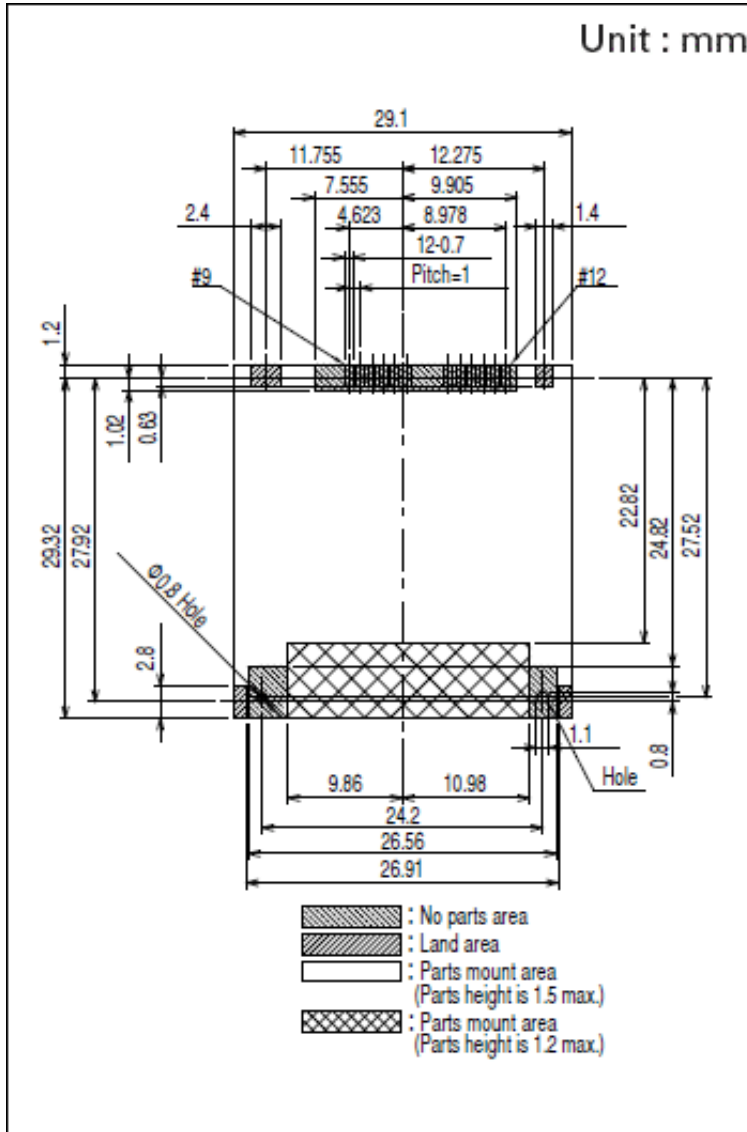
Photo



Dimensions

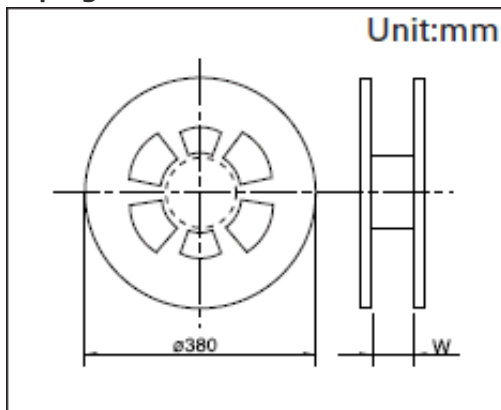


Mounting Dimensions



Packing Specifications

Taping



(pcs.)

1 case / Japan 600

1 case / export
packing 1,200

Reel width W(mm) 45.5

Tape width (mm) 44

Export package measurements (mm) 403×403×249

Soldering Conditions

Example of Reflow Soldering Condition (Reference)

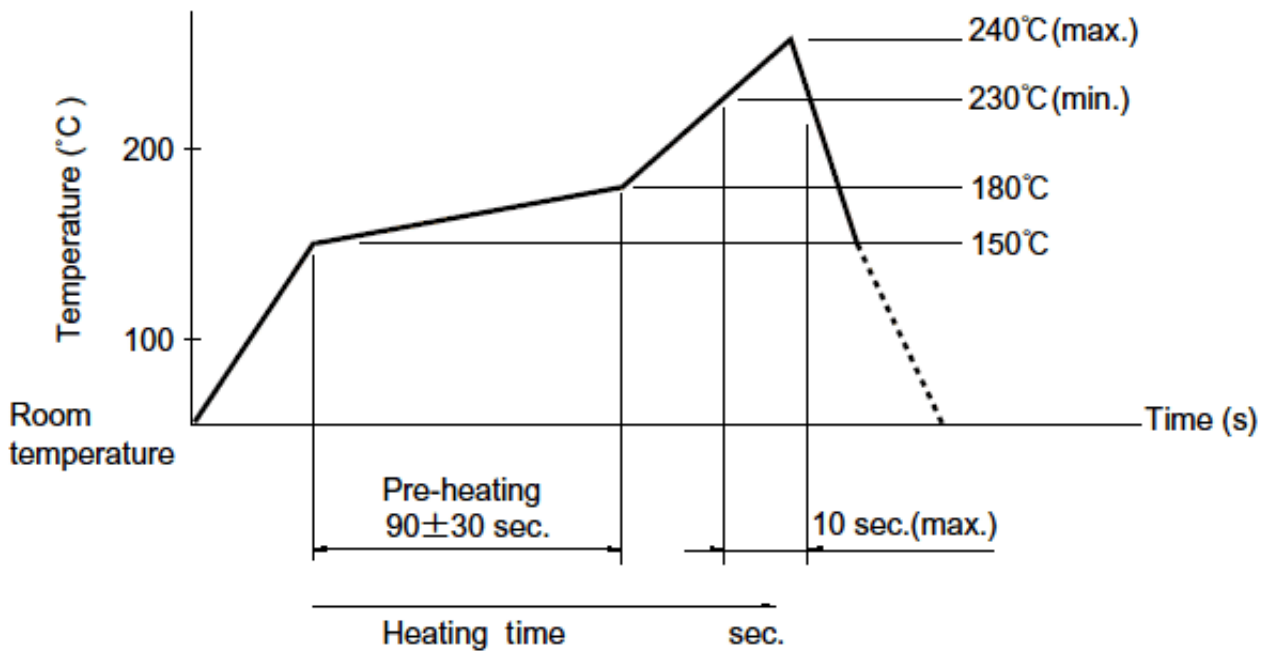
1. Heating method

Double heating method with infrared heater.

2. Temperature measurement

Thermocouple 0.1 to 0.2 Φ CA (K) or CC (T) at soldering portion.

3. Temperature profile.



Notes are common to this series/models.

1. This site catalog shows only outline specifications. When using the products, please obtain formal specifications for supply.
2. Please place purchase orders per minimum order unit (integer).