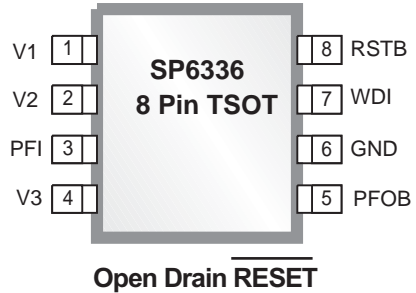


## Triple $\mu$ Power Supervisory Circuit with Watchdog and Power Fail

### FEATURES

- Low operating voltage of 1.6V
- Low operating current of 20 $\mu$ A typical
- Monitors up to 3 supplies simultaneously
- Adjustable inputs monitor down to 0.5V
- Reset asserted down to 0.9V
- 2% accuracy over temperature range
- Power Fail Input Functionality (PFI)
- Power Fail Output function, active low (PFOB)
- Open Drain (OD) or CMOS RSTB output
- 4 Reset Timeout Periods: 50ms, 100ms, 200ms and 400 ms
- Watch Dog Input Functionality
- Available in Lead Free, RoHS Compliant Package: 8 pin TSOT

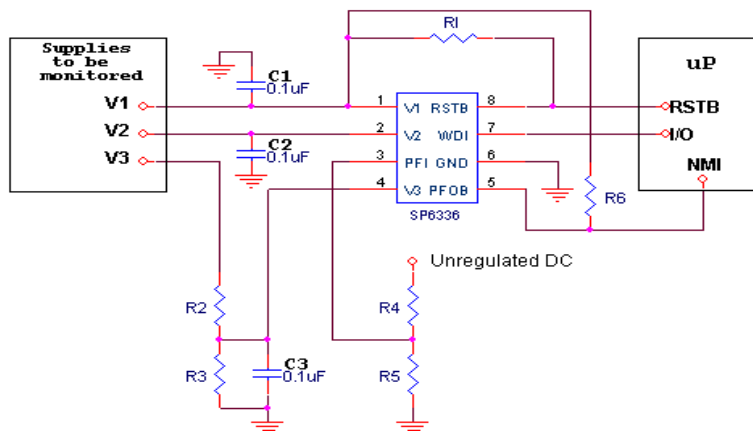


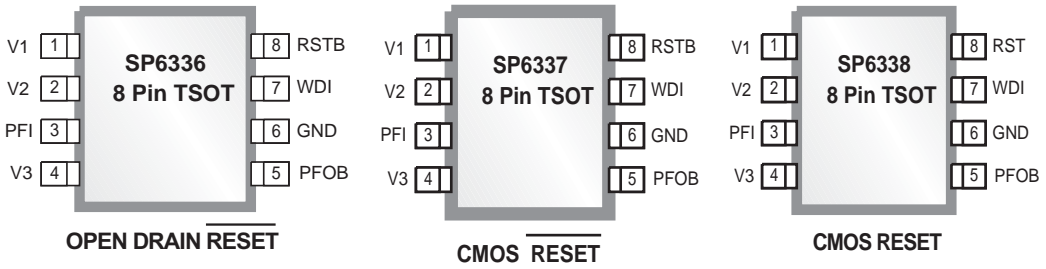
**SEE PAGE 2 FOR OTHER AVAILABLE PINOUTS**

### DESCRIPTION

The SP6336 - SP6337 - SP6338 Triple  $\mu$ Power Supervisory Circuit Family is a family of microprocessor reset supervisory circuits with multiple reset voltages. The family provides low voltage monitoring ability for up-to-three supplies with two precision factory-set thresholds and one user defined custom threshold. These circuits perform a single function: if any of the input supply voltages drops below its associated threshold, reset outputs are asserted. The products in the family offer power fail and watchdog functionalities. SP6336, SP6337 & SP6338 are packaged in an 8-pin TSOT package. All devices are fully specified over -40°C to +85°C temperature range.

### TYPICAL APPLICATION CIRCUIT





PART NUMBER	V1	V2	V3	Reset	WatchDog Input	Power Fail Input	Power Fail Output BAR
SP6336				OD Active Low			
SP6337				CMOS Active Low			
SP6338				CMOS Active High			

*Feature and Pinout Diagram*

**ABSOLUTE MAXIMUM RATINGS**

These are stress ratings only and functional operation of the device at these ratings or any other above those indicated in the operation sections of the specifications below is not implied. Exposure to absolute maximum rating conditions for extended periods of time may affect reliability and cause permanent damage to the device.

Terminal Voltage (with respect to GND)  
 V1, V2..... -0.3 to +6V  
 Open-Drain RSTB, PFOB.....-0.3 to +6V  
 CMOS RST, RSTB..... -0.3 to (V1+0.3V)  
 Input Current/Output Current.....20mA  
 V3, V4, PFI, WDI.....-0.3 to (V1+0.3V)

Operating Temperature Range.....-40°C to +85°C  
 Storage Temperature Range.....-65°C to 150°C  
 Thermal Resistance  $\theta_{JA}$  .....134°C/W

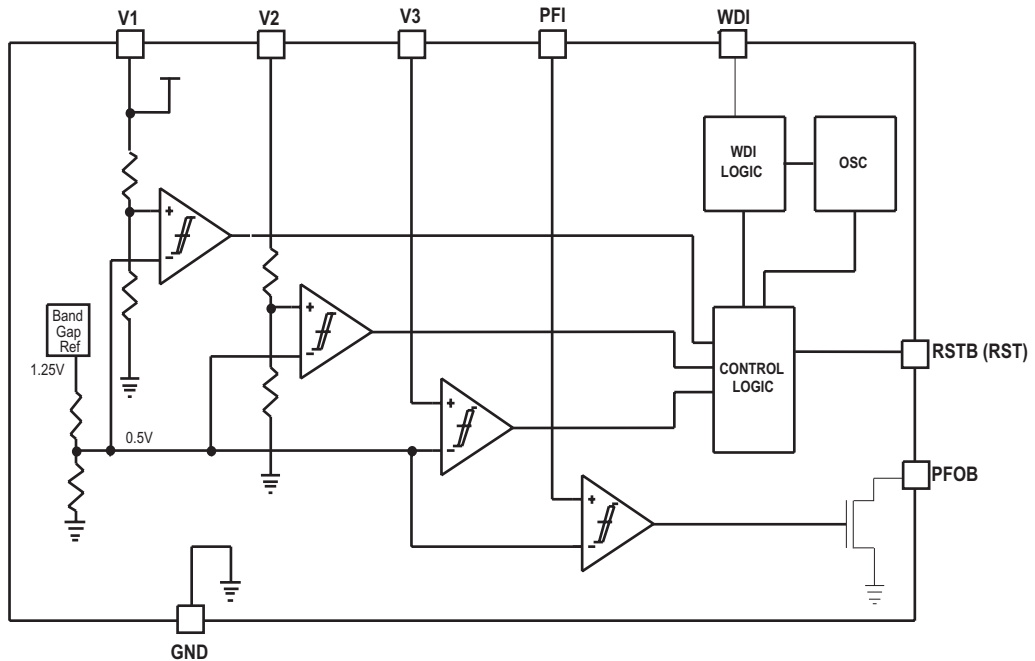
PARAMETER	MIN	TYP	MAX	UNITS	CONDITIONS
V1 = 1.6V to 5.5V; TA = -40°C to +85°C; unless otherwise noted. Typical values are at TA = +25°C					
Operating Voltage Range	0.9		5.5	V	TA = -40°C to +85°C
Supply Current		20	30	µA	V1 < 5.5V, V2 < 3.60V, all I/O pins open
		15	25		V1 < 3.6V, V2 < 2.75V, all I/O pins open
V1 Reset Threshold	4.532	4.625	4.718	V	Z (valid for V1 falling)
	4.287	4.375	4.463		Y (valid for V1 falling)
	3.013	3.075	3.137		X (valid for V1 falling)
	2.866	2.925	2.984		W (valid for V1 falling)
	2.572	2.625	2.678		V (valid for V1 falling)
	2.273	2.320	2.367		U (valid for V1 falling)
	2.146	2.190	2.234		T (valid for V1 falling)
	1.636	1.670	1.704		S (valid for V1 falling)
	1.548	1.580	1.612		R (valid for V1 falling)
V2 Reset Threshold	2.266	2.313	2.360	V	J (valid for V2 falling)
	2.144	2.188	2.232		I (valid for V2 falling)
	1.631	1.665	1.698		H (valid for V2 falling)
	1.543	1.575	1.607		G (valid for V2 falling)
	1.360	1.388	1.416		F (valid for V2 falling)
	1.286	1.313	1.340		E (valid for V2 falling)
	1.087	1.110	1.133		D (valid for V2 falling)
	1.029	1.050	1.071		C (valid for V2 falling)
	0.816	0.833	0.850		B (valid for V2 falling)
	0.772	0.788	0.804	A (valid for V2 falling)	
Threshold 1 Tempco		0.06		mV/°C	
Threshold 2 Tempco		0.04		mV/°C	
Threshold 1 Hysteresis		0.65		%	reference to Vth1 typical
Threshold 2 Hysteresis		0.5		%	reference to Vth2 typical
V1 to RST/RSTB Delay		50		µs	V1 = Vth1 to (Vth1-0.1V), Vth1 = 3.075
V2 to RST/RSTB Delay		50		µs	V2 = Vth2 to (Vth2-0.1V), Vth2 = 1.575
Reset Timeout Period (T1)	37	50	63	ms	TOPT-1
Reset Timeout Period (T2)	74	100	126	ms	TOPT-2
Reset Timeout Period (T3)	148	200	252	ms	TOPT-3
Reset Timeout Period (T4)	296	400	504	ms	TOPT-4
<b>V3 RESET COMPARATOR INPUT</b>					
V3 Input Threshold	490	500	510	mV	
V3 Input Current	-50		50	nA	TA = +25°C
V3 Threshold Hysteresis		1.5		mV	

## ELECTRICAL CHARACTERISTICS

(Continued)

PARAMETER	MIN	TYP	MAX	UNITS	CONDITIONS
V1 =1.6V to 5.5V; TA = -40°C to +85°C; unless otherwise noted. Typical values are at TA =+25°C					
<b>WDI – WATCHDOG INPUT</b>					
Watchdog Timeout Period	1.2		2	sec	
WDI Pulse Width	0.1			μs	
WDI Input Threshold			0.4	V	
	0.8*V1				
WDI Input Current	-500		+500	μA	WDI = 0.0V or V1
<b>RESET &amp; POWER FAIL OUTPUTS RST / RSTB / WDOB / PFOB</b>					
RSTB (CMOS or OD)			0.4	V	V1 = Vth1 - 0.1V, Isink = 1mA, output asserted
PFOB			0.4		V_PFI=0.4, V1= , Isink = 1mA, PFOB output asserted
RSTB (CMOS)	0.8*V1			V	V1 = Vth1+0.1V, Isource = 1mA, output not asserted
RST (CMOS)	0.8*V1			V	V1 = Vth1-0.1V, Isource = 1mA, output asserted
RST (CMOS)			0.4	V	V1 = Vth1+0.1V, V2 > Vth2, V3 > 0.5 , V4 > 0.5 Isource = 1mA, output not asserted
RSTB / WDOB / PFOB Output Open-Drain Leakage Current		2		nA	Output asserted
<b>PFI - POWER FAIL INPUT</b>					
PFI Input Threshold	490	500	510	mV	
PFI Input Current	-50		50	nA	
PFI Hysteresis		2.5		mV	
PFI to PFOB Delay		4		μs	

<b>Pin #</b>	<b>Name</b>	<b>Description</b>
1	V1	First supply voltage input. Also powers internal circuitry. Trip threshold voltage is internally set.
2	V2	Second supply voltage input. Trip threshold voltage internally set.
3	PFI	Power Fail Input pin. Trip threshold is 0.5V. When the input voltage at the PFI pin is <0.5V, PFOB is low. Connect to GND or V1 if not used.
4	V3	Input for the third supply voltage. Trip threshold is 0.5V.
5	PFOB	Power Fail Output pin. Active low open drain output. When the input voltage at the PFI pin is <0.5V, PFOB is low.
6	GND	Common ground reference pin.
7	WDI	Watch-Dog Input pin. When no transition is detected at the WDI pin for the duration of WDI timeout period, reset is asserted. Leave open if not used. RST/RSTB output is used to signal watchdog timeout overflow, and its output pulses high/low (depending on the active reset polarity) for the reset timeout period after each watchdog timeout overflow. The watchdog timer clears whenever the reset is asserted or manual reset is asserted or a transition is observed at WDI pin. Watchdog timer functionality can be disabled by leaving this input floating.
8	RST/RSTB	Reset output. Open-Drain or CMOS, active high or low. Reset is asserted when any of the three supply inputs is below its trip threshold. It stays asserted for 200 ms (typical / default) after the last supply input traverses its trip threshold. Reset is guaranteed to be in the correct state for V1>0.9V. RST/RSTB asserts when V1 or V2 or V3 drop below their corresponding reset thresholds, or the watchdog timer triggers a reset. RST/RSTB remains asserted for the reset timeout period after V1 and V2 and V3 exceed their corresponding reset thresholds. Open-drain outputs require an external pull-up resistor. CMOS outputs are referenced to V1.

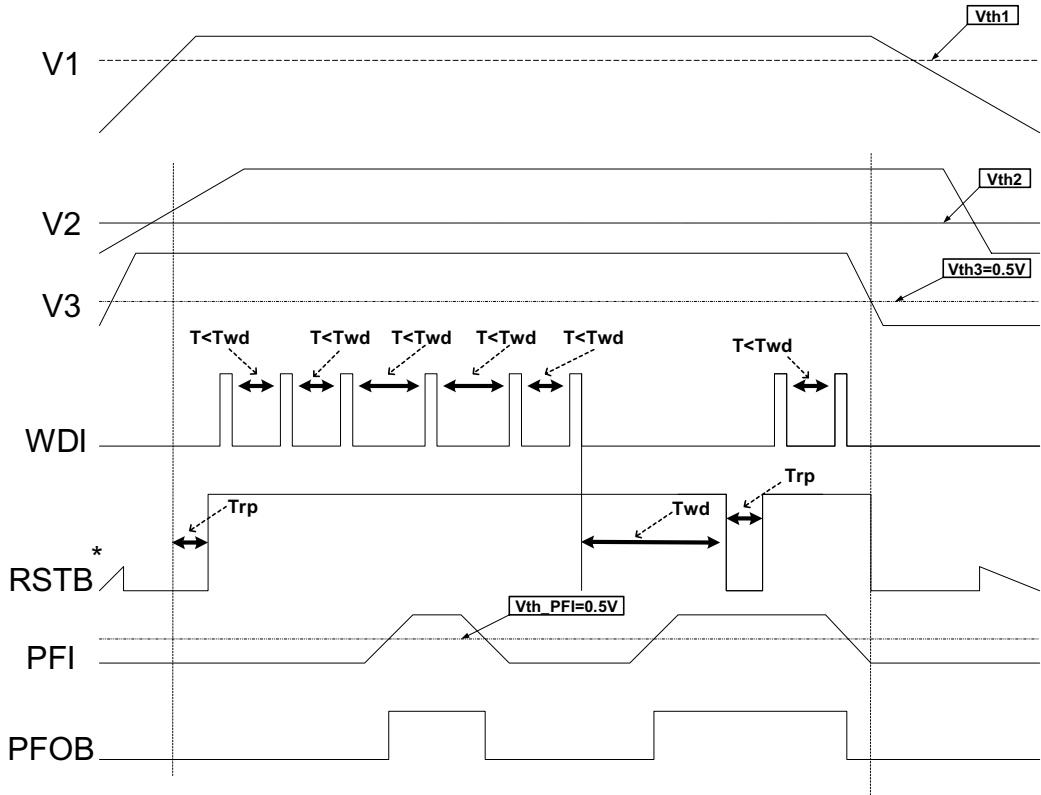


*Block Diagram*

The SP6336/ 6337 / 6338 family includes a low-voltage precision bandgap reference, three precision comparators, an oscillator, a digital counter chain, a logic control block, trimmed resistor divider chains and additional supporting circuitry. The family is designed to supervise up to 3 independent supply voltages. V1 and V2 supply inputs have their resistor dividers on the chip. Their trip thresholds are factory trimmed. V3 input allows users to customize an

additional supply threshold to be monitored by means of external resistor dividers. Each part is furnished with power fail indication and watchdog functionalities.

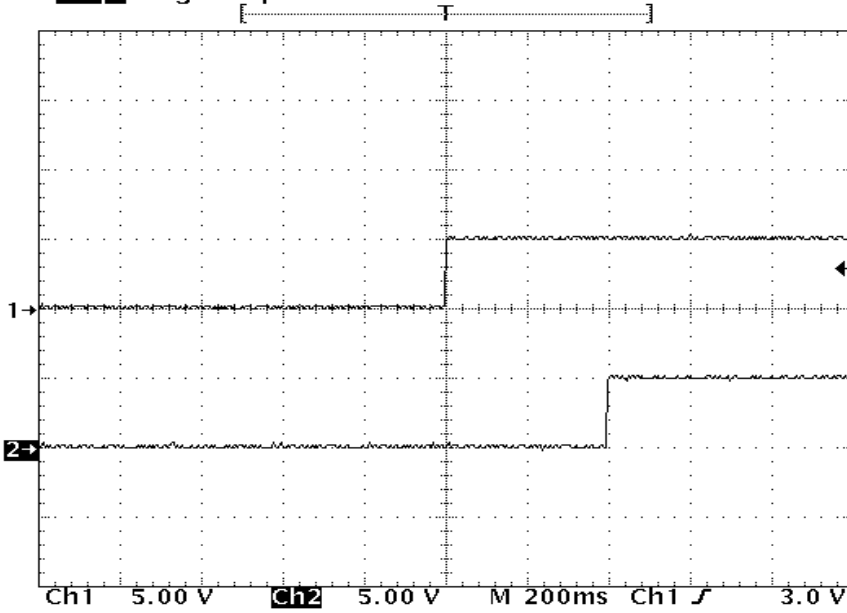
The watchdog timer is serviced internally during the watchdog timeout period when WDI is left unconnected. Thus, watchdog functionality can be disabled via leaving the WDI input floating.



Timing Diagram for SP6336, SP6337, SP6338

\* Reverse Polarity for the SP6338

Tek **Stop:** Single Seq 250 S/s

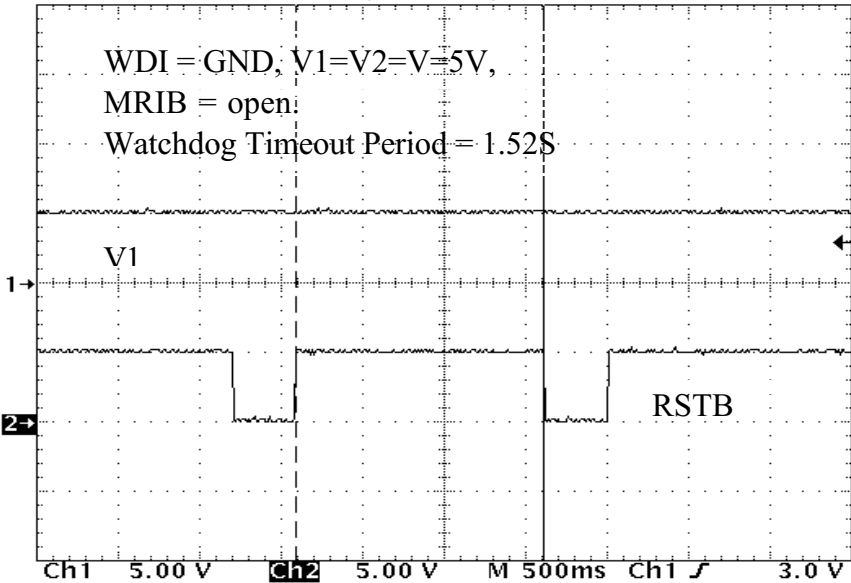


9 Sep 2005  
11:07:08

RESETB Timeout Period (400ms)

Tek **Stop:** 100 S/s

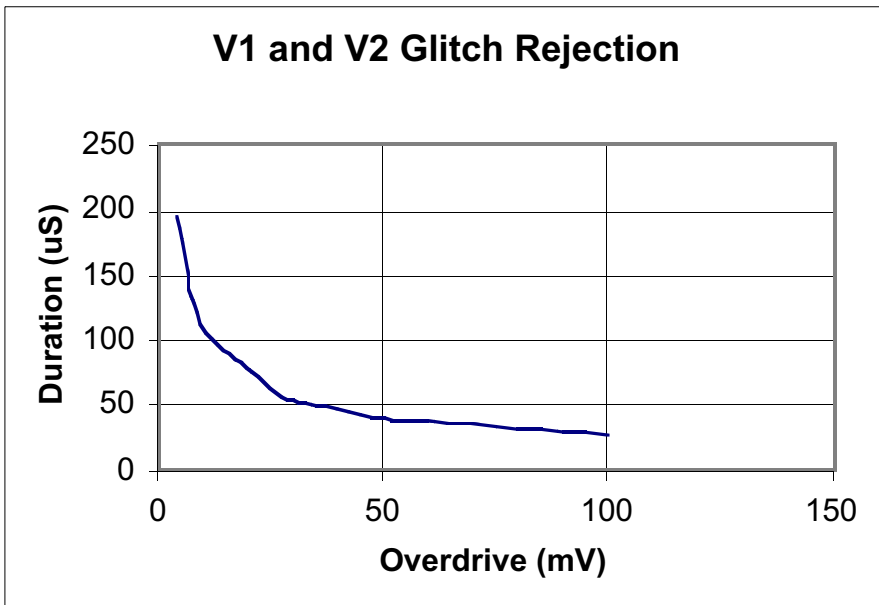
1 Acqs



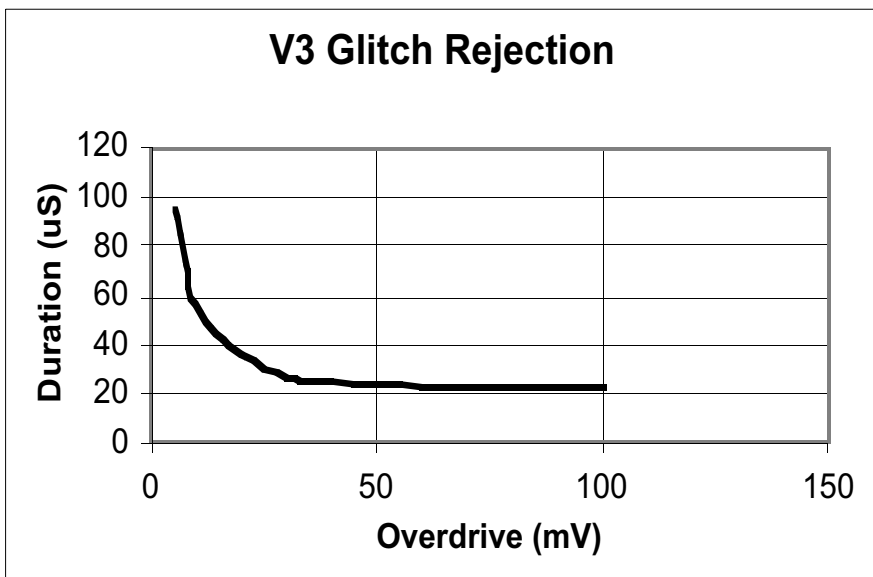
Δ: 1.52 s  
@: 610ms

SP6336 Watchdog Timeout Period

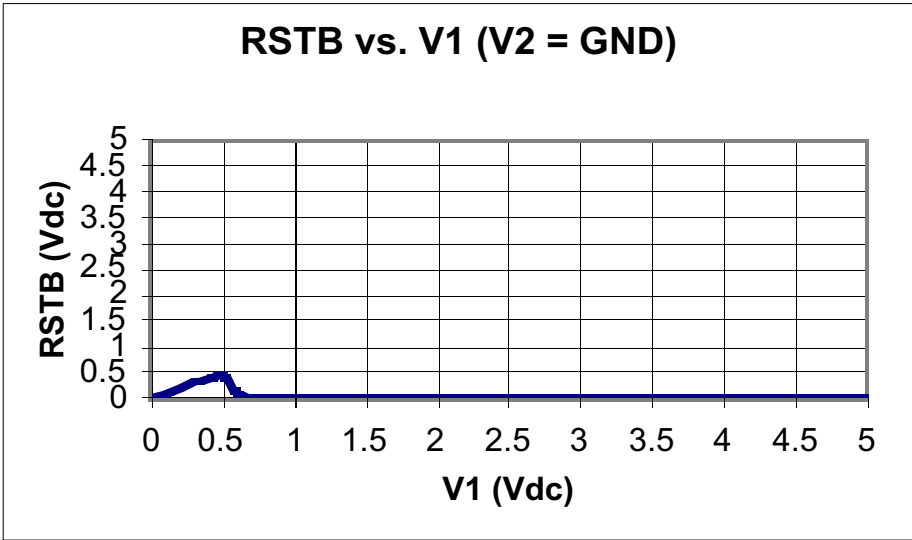




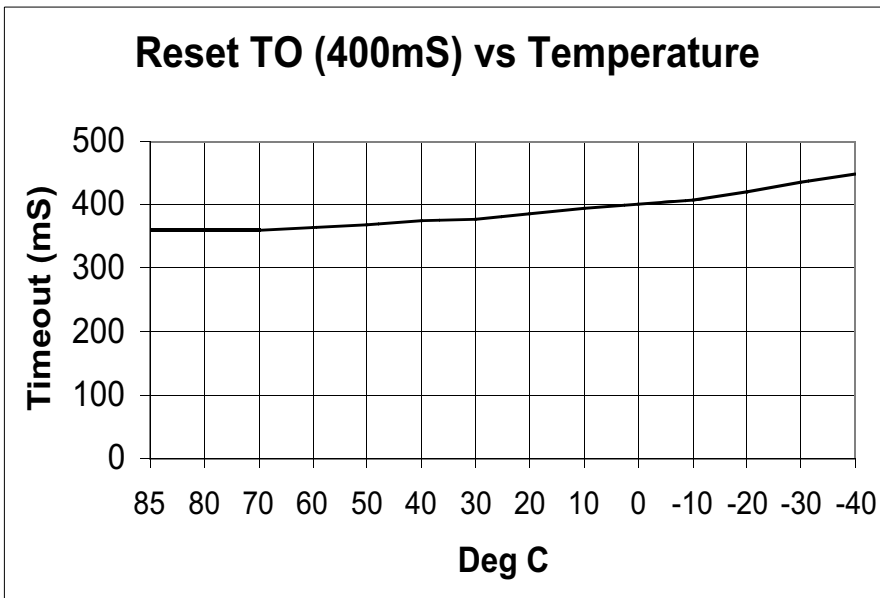
*V1 and V2 Glitch Rejection*



*V3 Glitch Rejection*



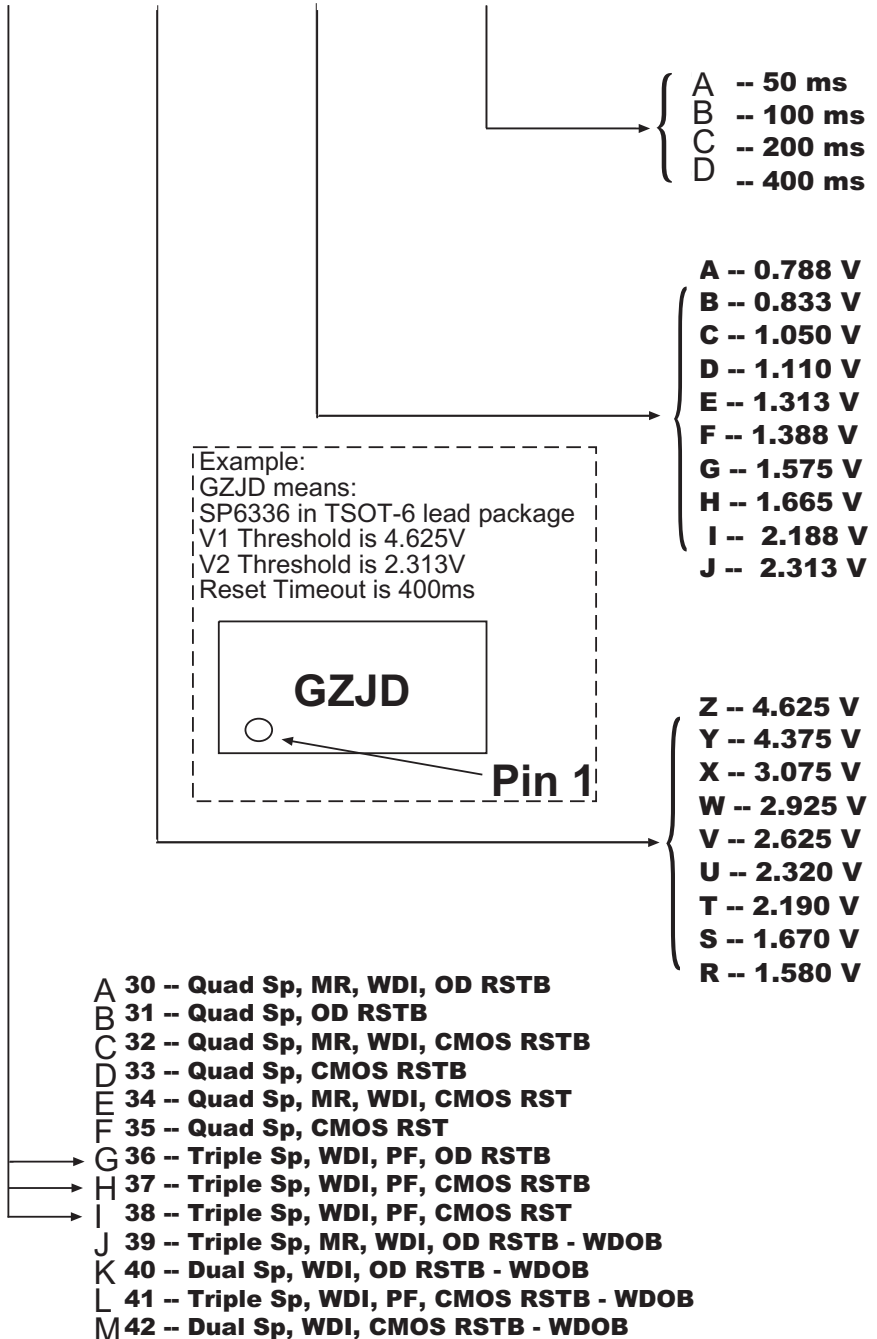
*Reset Good*

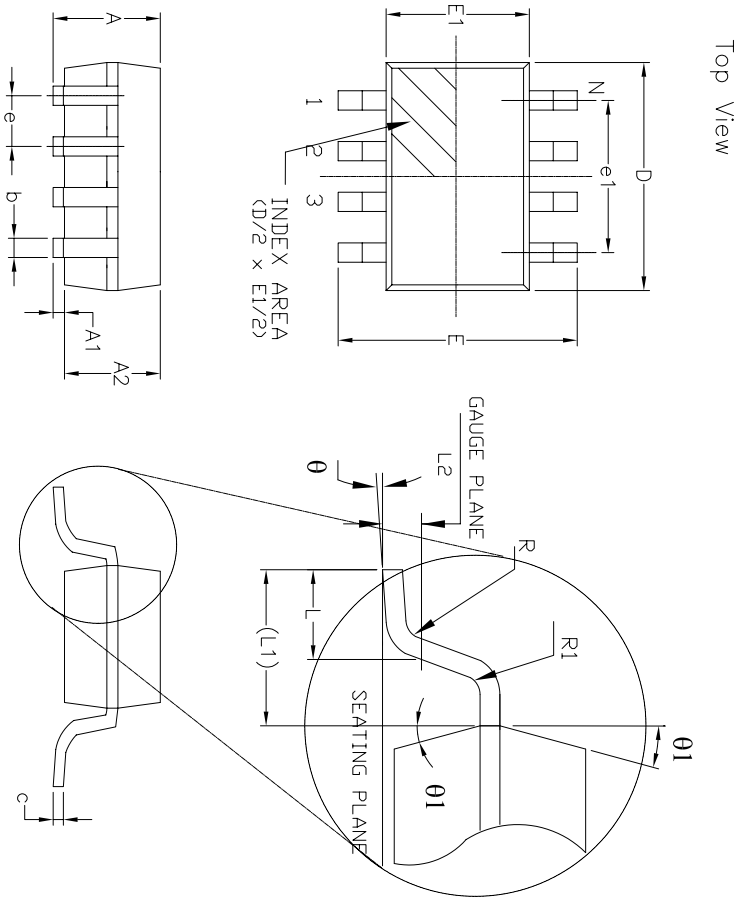


*Reset Timeout vs. Temperature*

# Part Naming Nomenclature

## SP63NN - Th1 - Th2 - TOPT





8 Pin TSOT JEDEC MO-193 Variation BA		DIMENSIONS IN MM (Control Unit)		DIMENSIONS IN INCH (Reference Unit)		
SYMBOLS	MIN	NOM	MAX	MIN	NOM	MAX
A	—	1.10	—	—	0.043	—
A1	0.00	—	0.10	0.000	—	0.004
A2	0.70	0.90	1.00	0.028	0.036	0.039
b	0.22	—	0.38	0.009	—	0.015
c	0.08	—	0.20	0.003	—	0.008
D	2.90	BSC	—	0.114	BSC	—
E	2.80	BSC	—	0.110	BSC	—
E1	1.60	BSC	—	0.063	BSC	—
e	0.65	BSC	—	0.026	BSC	—
e1	1.95	BSC	—	0.077	BSC	—
L	0.30	0.45	0.60	0.012	0.018	0.024
L1	0.60	REF	—	0.024	REF	—
L2	0.25	BSC	—	0.010	BSC	—
R	0.10	—	—	0.004	—	—
R1	0.10	—	0.25	0.004	—	0.010
$\theta$	0°	4°	8°	0°	4°	8°
$\theta 1$	4°	10°	12°	4°	10°	12°
N	8		8		8	

REVISION HISTORY			DATE	APP'D
REV.	DESCRIPTION			
A	DRAWING ORIGINATOR		10/03/05	JL
B	DRAWING FORMAT MODIFICATION		09/13/06	JL

**SIPEX CORPORATION**

8 PIN TSOT PACKAGE OUTLINE

By: JL Date: 09/13/06 Revision: B Sheet: 1 OF 1

## ORDERING INFORMATION

Model	Temperature Range	Package Type
SP6336EK1-L-X-X-X.....	-40°C to +85°C.....	Lead Free 8-Pin TSOT
SP6336EK1-L-X-X-X/TR.....	-40°C to +85°C.....	Lead Free 8-Pin TSOT
SP6337EK1-L-X-X-X.....	-40°C to +85°C.....	Lead Free 8-Pin TSOT
SP6337EK1-L-X-X-X/TR.....	-40°C to +85°C.....	Lead Free 8-Pin TSOT
SP6338EK1-L-X-X-X.....	-40°C to +85°C.....	Lead Free 8-Pin TSOT
SP6338EK1-L-X-X-X/TR.....	-40°C to +85°C.....	Lead Free 8-Pin TSOT

Available in lead free packaging only. /TR = Tape and Reel.

Pack quantity 2,500 for TSOT-8

Contact Factory for availability of particular voltage threshold and reset timeout options. Note that the Ordering Information denoting those options corresponds to the Part Naming Nomenclature shown on the previous page.

Ordering example: SP6336EK1-L-W-G-C/TR == W -- 2.925V for Voltage Threshold 1; G -- 1.575V for Voltage Threshold 2; and C -- 200ms reset timeout.



**Sipex Corporation**

**Headquarters and Sales Office**

233 South Hillview Drive  
 Milpitas, CA 95035  
 TEL: (408) 934-7500  
 FAX: (408) 935-7600

Sipex Corporation reserves the right to make changes to any products described herein. Sipex does not assume any liability arising out of the application or use of any product or circuit described herein; neither does it convey any license under its patent rights nor the rights of others.