

GENERAL SPECIFICATIONS FOR S800s ~ S732

A
Toggles

Electrical Capacity (Resistive & Inductive Load)

Power Level: Shown in the following tables

Rockers

Other Ratings

Contact Resistance:	10 milliohms maximum
Insulation Resistance:	1,000 megohms minimum @ 500V DC
Dielectric Strength:	2,000V AC minimum for 1 minute minimum for S800s & S800Ds 3,000V AC minimum for 1 minute minimum for S732
Mechanical Life:	50,000 operations minimum
Electrical Life:	10,000 operations minimum for S800Ds 25,000 operations minimum for S800s & S732

Pushbuttons

Illuminated PB

Programmable

Materials & Finishes

Toggle:	Brass with nickel plating for S732 Brass with chrome plating for S800s & S800Ds
Bushing:	Brass with chrome plating
Case:	Phenolic resin for S732; melamine phenol for S800s
Case Cover:	Steel with chromate plating over zinc plating
Movable Contactor Plate:	Copper with silver plating
Movable & Stationary Contacts:	Silver alloy capped on copper with silver plating
Common Terminals:	Brass
Contact Terminals:	Brass with silver or nickel plating

Keylocks

Rotaries

Slides

Environmental Data

Operating Temp Range: -10°C through +70°C (+14°F through +158°F)

Slides

Tactiles

Installation

Mounting Torque:	2.94Nm (26 lb•in) for double nut
Maximum Panel Thickness:	Shown beneath panel cutout in switch dimension drawings

Tilt

Standards & Certifications

UL:	File No. E44145 UL or cULus recognition designated beside part numbers on following pages. See Supplement section to find UL or cULus rating details. Add "/U" to end of part number to order UL mark on switch. Add "/CUL" to end of part number to order cULus mark on switch.
CSA:	File No. 023535_0_000 CSA certification designated beside part numbers on following pages. See Supplement section to find CSA rating details. Add "/C" to end of part number to order CSA mark on switch.

Tilt

Touch

Indicators




Accessories

Supplement

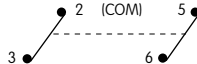
Supplement

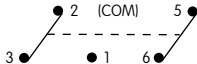
Toggles
A

DOUBLE POLE WITH SCREW LUG

Model	*Approvals			Pole & Throw	Toggle Position/Connected Terminals				Electrical Capacity								
	UL	UL IS	CSA		Down 	Center 	Up 	Resistive				Inductive		Motor Load			
								AC 125V	AC 250V	DC 30V	DC 125V	AC 125V PF 0.6	AC 250V PF 0.6	AC 125V			
S821	✓	✓	✓	DPST	ON	2-3	5-6	NONE	OFF	—	30A	30A	30A	1A	30A	15A	750W
S822	✓	✓	✓	DPDT	ON	2-3	5-6	NONE	ON	2-1 5-4	30A	30A	30A	1A	30A	15A	—
S823	✓	✓	✓	DPDT	ON	2-3	5-6	OFF	ON	2-1 5-4	30A	30A	30A	1A	30A	15A	—

Throw & Schematics:

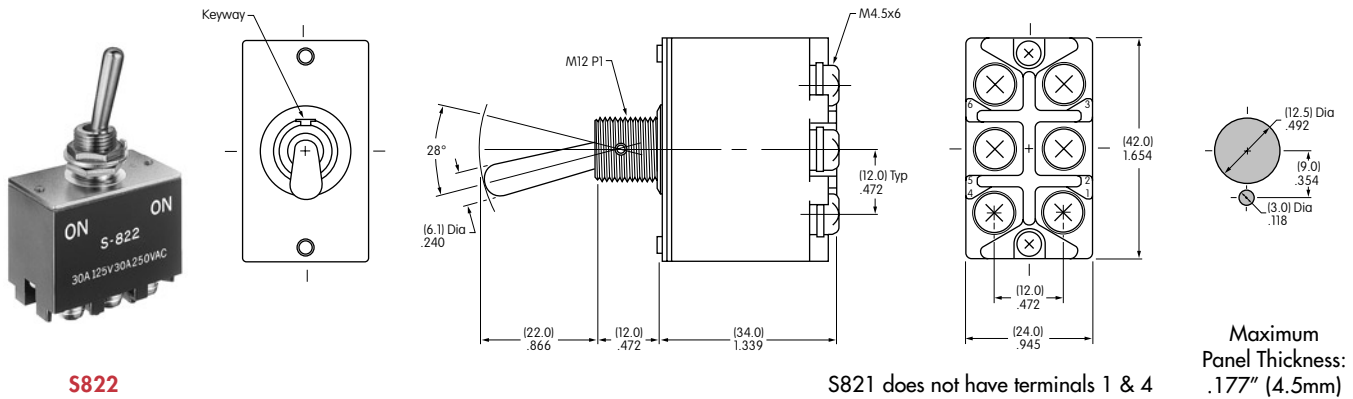
DPST: 

DPDT: 

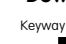


Note: Terminal numbers are on the switch

Notes: Standard Hardware: AT503M Face Hex Nut, AT506M Locking Ring, AT508 Lockwasher, AT527M Backup Hex Nut. See Accessories & Hardware section.
Optional Splashproof Boot Assembly: AT401 boot plus hex nut & o-ring. See Accessories & Hardware section.

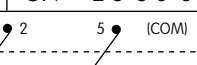
* See General Specifications page for approval marking.

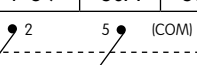


THREE POLE WITH SCREW LUG

Model	*Approvals			Pole & Throw	Toggle Position/Connected Terminals				Electrical Capacity								
	UL	UL IS	CSA		Down 	Center 	Up 	Resistive				Inductive					
								AC 125V	AC 250V	DC 30V	DC 125V	AC 125V PF 0.6	AC 250V PF 0.6				
S831	✓	✓	✓	3PST	ON	2-3	5-6	8-9	NONE	OFF	—	30A	30A	30A	1A	30A	15A
S832	✓	✓	✓	3PDT	ON	2-3	5-6	8-9	NONE	ON	2-1 5-4 8-7	30A	30A	30A	1A	30A	15A
S833	✓	✓	✓	3PDT	ON	2-3	5-6	8-9	OFF	ON	2-1 5-4 8-7	30A	30A	30A	1A	30A	15A

Throw & Schematics:

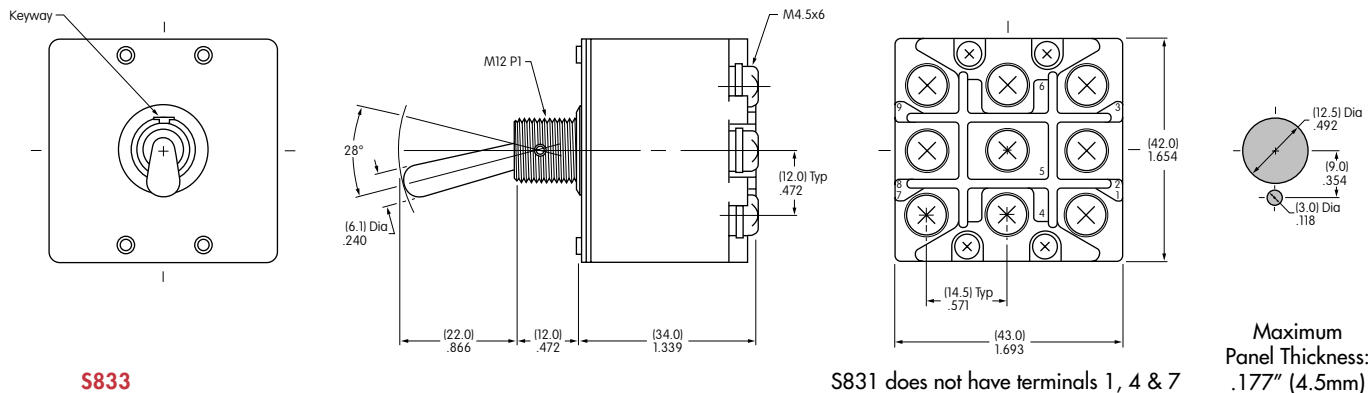
3PST: 

3PDT: 

Note: Terminal numbers are on the switch

Notes: Standard Hardware: AT503M Face Hex Nut, AT506M Locking Ring, AT508 Lockwasher, AT527M Backup Hex Nut. See Accessories & Hardware section.
Optional Splashproof Boot Assembly: AT401 boot plus hex nut & o-ring. See Accessories & Hardware section.

* See General Specifications page for approval marking.



Rockers

Pushbuttons

Illuminated PB

Programmable

Keylocks

Rotaries

Slides

Tactiles

Tilt

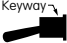


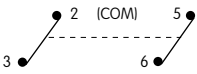
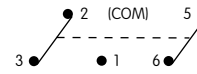
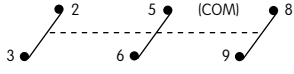
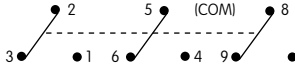
Touch

Indicators

Accessories

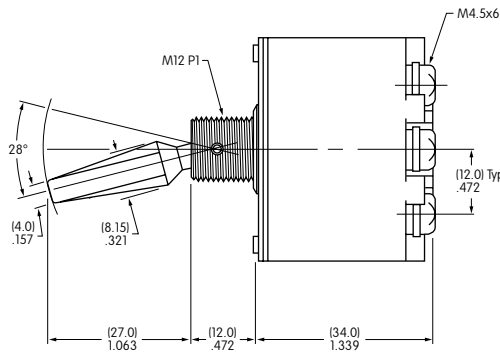
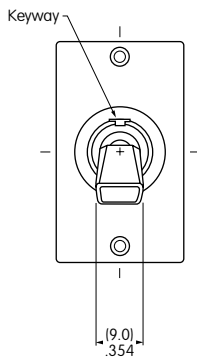
Supplement

DOUBLE & THREE POLE WITH SCREW LUG & FLATTED LEVER

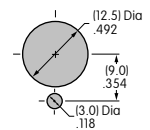
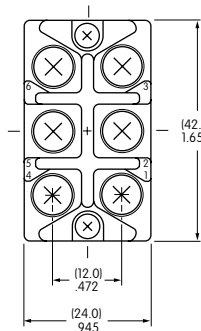
Model	*Approvals UL US SP			Pole & Throw	Toggle Position/Connected Terminals				Electrical Capacity								
					Down 	Center 	Up 	Resistive				Inductive L/R = 3ms					
								DC 30V	DC 48V	DC 125V	DC 250V	DC 24V	DC 48V	DC 125V	DC 250V		
S821D	✓	✓	✓	DPST	ON 2-3 5-6	NONE	OFF —	30A	30A	15A	7.5A	15A	10A	6A	3A		
S822D	✓	✓	✓	DPDT	ON 2-3 5-6	NONE	ON 2-1 5-4	30A	30A	15A	7.5A	15A	10A	6A	3A		
S823D	✓	✓	✓	DPDT	ON 2-3 5-6	OFF	ON 2-1 5-4	30A	30A	15A	7.5A	15A	10A	6A	3A		
Throw & Schematics:				DPST			DPDT			Note: Terminal numbers are on the switch							
S831D	✓	✓	✓	3PST	ON 2-3 5-6 8-9	NONE	OFF —	30A	30A	15A	7.5A	15A	10A	6A	3A		
S832D	✓	✓	✓	3PDT	ON 2-3 5-6 8-9	NONE	ON 2-1 5-4 8-7	30A	30A	15A	7.5A	15A	10A	6A	3A		
S833D	✓	✓	✓	3PDT	ON 2-3 5-6 8-9	OFF	ON 2-1 5-4 8-7	30A	30A	15A	7.5A	15A	10A	6A	3A		
Throw & Schematics:				3PST			3PDT			Note: Terminal numbers are on the switch							

Notes: Standard Hardware: AT503M Face Hex Nut, AT506M Locking Ring, AT508 Lockwasher, AT527M Backup Hex Nut. See Accessories & Hardware section.

* See General Specifications page for approval marking.



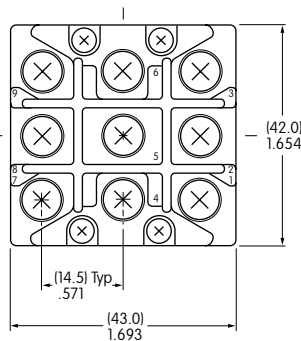
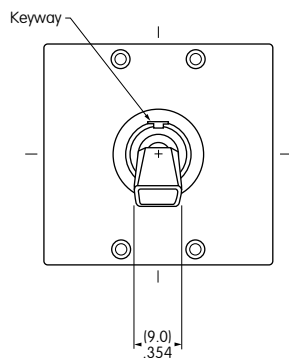
Double Pole



S821D does not have terminals 1 & 4

Maximum Panel Thickness: .177" (4.5mm)

Three Pole



S831D does not have terminals 1, 4 & 7.
Positive (+) must be connected to end terminals
& negative to common terminals



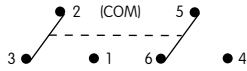
S832D

DOUBLE POLE WITH SCREW LUG

Model	Approvals UL	Pole & Throw	Toggle Position/Connected Terminals			Electrical Capacity			
			Down 	Center 	Up 	Resistive			Inductive
						AC 125V	AC 250V	DC 30V	AC 125V PF 0.6
S732	— —	DPDT	ON 2-3 5-6	NONE	ON 2-1 5-4	50A	30A	50A	25A

Throw & Schematics:

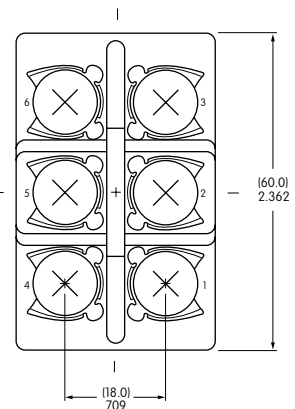
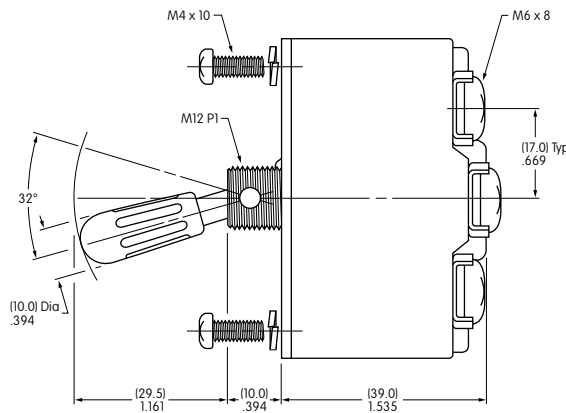
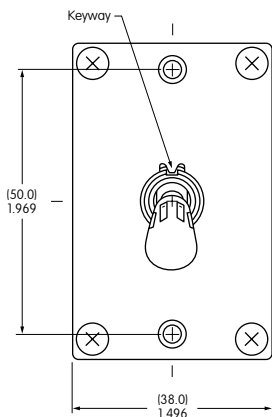
DPDT



Note: Terminal numbers are on the switch

Notes: Standard Hardware: AT503M Face Hex Nut, AT506M Locking Ring, AT508 Lockwasher, AT527M Backup Hex Nut.

See Accessories & Hardware section.

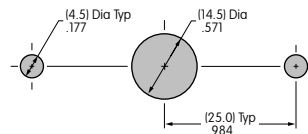


Cap of phenolic resin is black



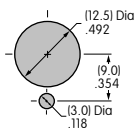
S732

Panel Mount with Mounting Screws

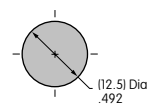


Maximum Panel Thickness: .158" (4.0mm)

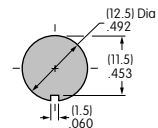
Panel Mount with Bushing Hardware



Maximum Panel Thickness: .079" (2.0mm)



Maximum Panel Thickness: .118" (3.0mm)



Maximum Panel Thickness: .118" (3.0mm)