

Connector for SD Memory Card

SCDA Series



Compact low-profile type with a width of 27.5mm features highly reliable contact structure.

For SD Memory Card

For microSD™ Card

For SIM Card 8pins

For W-SIM

For Memory Stick Micro™

For Memory Stick™

Combine Type

For Compact Flash™

For CMOS Camera Module

NEW



Typical Specifications

Items		Specifications	
Structure	Applicable media	SD Memory Card/ MultiMediaCard™	
	Mounting type	Surface mounting type	
	Mounting style	Standard mount/Reverse mount	
	Media ejection structure	Push-push type	
Performance	Operating temperature range	-25°C to +60°C	
	Voltage proof	100V AC 1minute	
	Insulation resistance (Initial)	1,000MΩ min.	
	Contact resistance (Initial)	Connector contacts	100mΩ max.
		Detection switch	500mΩ max.
Insertion and removal cycle		10,000cycles	

Product Line

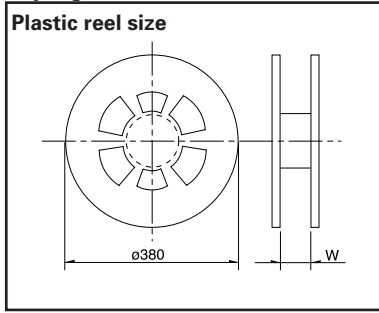
Media ejection structure	Mounting style	Features	Stand-off (mm)	Packing system	Product No.	Drawing No.
Push-push type	Standard mount	Inner tail, card eject stroke 5mm	0	Taping	SCDA9A0300	1
		Inner tail, card eject stroke 8mm			SCDA8A0201	2
		Outer tail, card eject stroke 8mm	1.5		SCDA7A0101	3
	Reverse mount	Outer tail	0		SCDA7A0200	4
			0		SCDA00A0100	5



Automotive Use

Packing Specifications

Taping Unit:mm

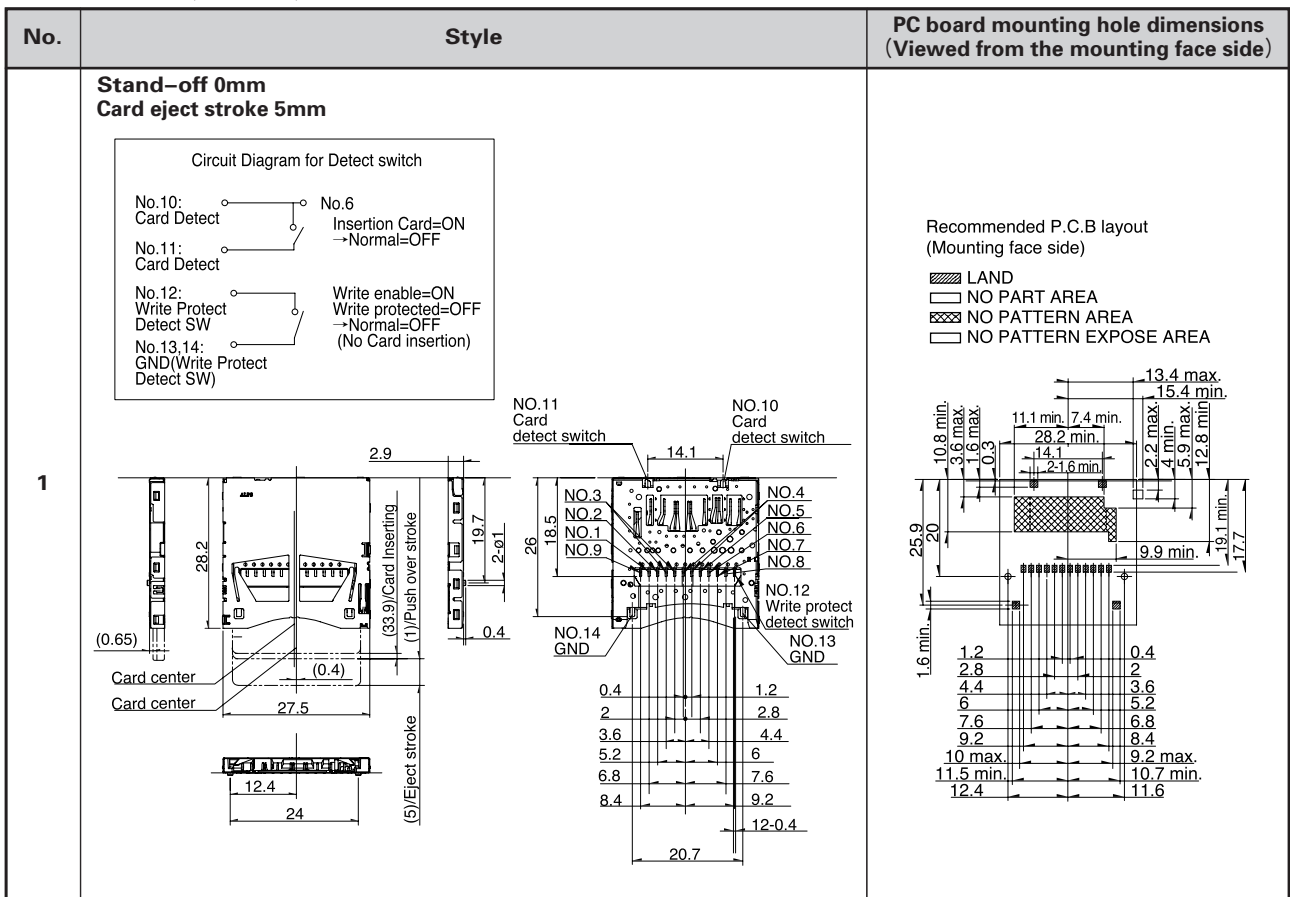


Product No.	Number of packages (pcs.)			Reel width W (mm)	Tape width (mm)	Export package measurements (mm)
	1 reel	1 case /Japan	1 case /export packing			
SCDA7A0101	400	800	1,600	45.5	44	403×403×249
SCDA7A0200	250	500	1,000			
SCDA8A0201	400	800	1,600			
SCDA9A0300	400	800	1,600			
SCDAAA0100	500	1,000	2,000			

Dimensions

Standard mount (Inner tail)

Unit:mm



For SD Memory Card

For microSD™ Card

For SIM Card 8pins

For W-SIM

For Memory Stick Micro™

For Memory Stick™

Combine Type

For Compact Flash™

For CMOS Camera Module



Automotive Use

Dimensions Standard mount

Unit:mm

For SD Memory Card

For microSD™ Card

For SIM Card 8pins

For W-SIM

For Memory Stick Micro™

For Memory Stick™

Combine Type

For Compact Flash™

For CMOS Camera Module

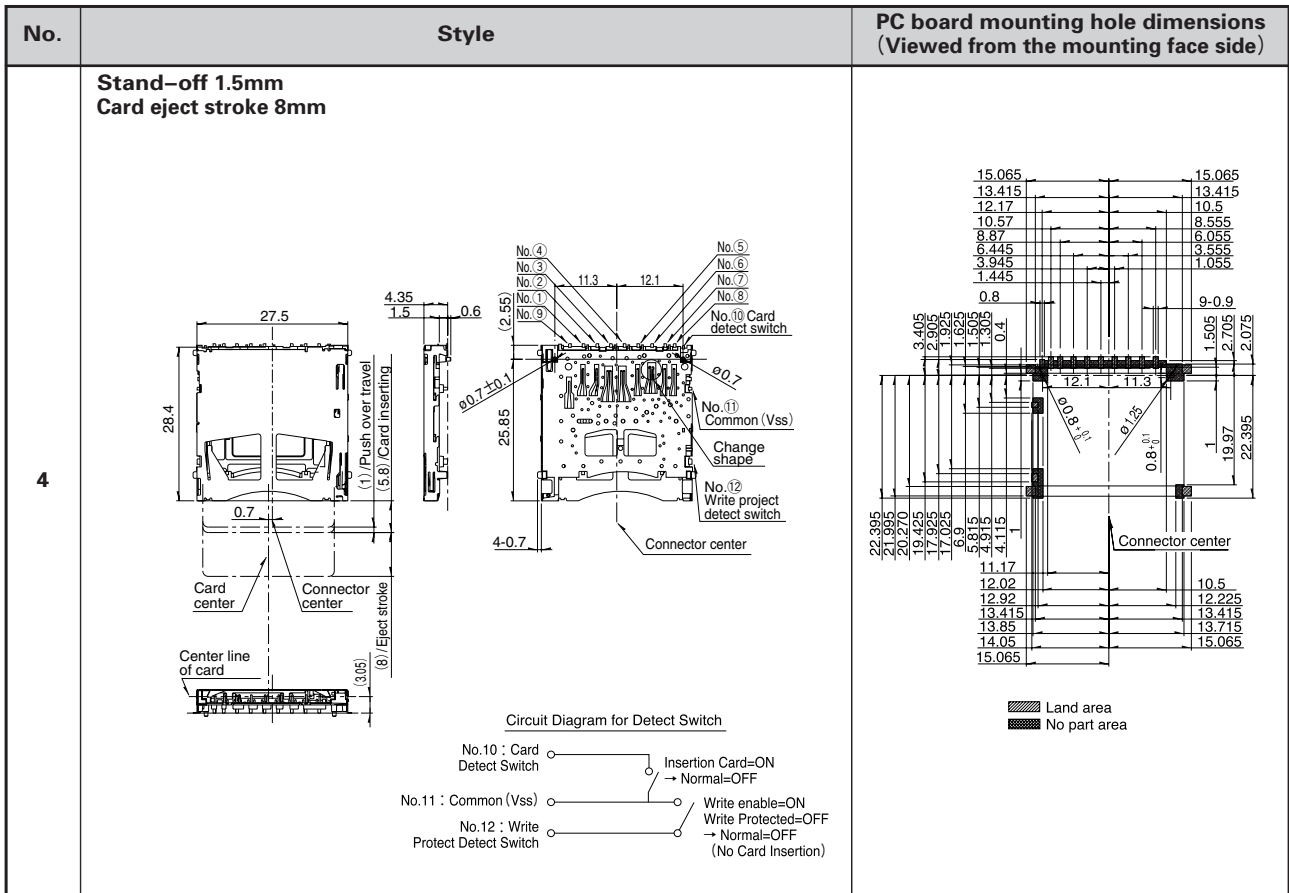
No.	Style	PC board mounting hole dimensions (Viewed from the mounting face side)
2	<p>Stand-off 0mm Card eject stroke 8mm</p> <p>Circuit Diagram for Detect SW</p> <ul style="list-style-type: none"> No.10: CardDetect SW → Insertion Card = ON → Normal = OFF No.11: Common(Vss) No.12: Write Protect Detect SW → Write enable = ON → Write protected = OFF → Normal = OFF (No Card insertion) 	
3	<p>Stand-off 0mm Card eject stroke 8mm</p> <p>Circuit Diagram for Detect Switch</p> <ul style="list-style-type: none"> No.10: Card Detect Switch → Insertion Card=ON → Normal=OFF No.11: Common (Vss) No.12: Write Protect Detect Switch → Write enable=ON → Write Protected=OFF → Normal=OFF (No Card Insertion) 	



Automotive Use

Dimensions
Standard mount

Unit:mm



For SD Memory Card

For microSD™ Card

For SIM Card 8pins

For W-SIM

For Memory Stick Micro™

For Memory Stick™

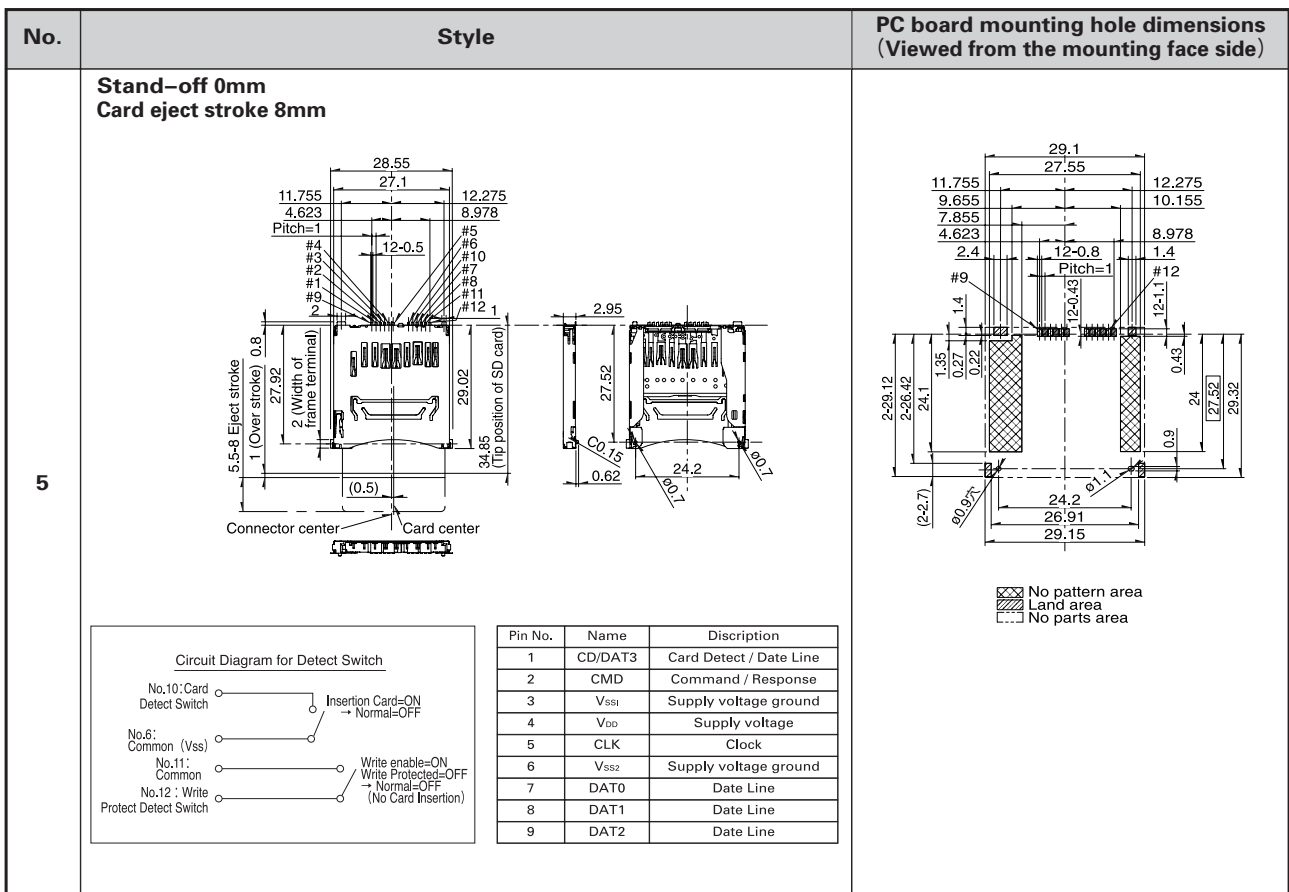
Combine Type

For Compact Flash™

For CMOS Camera Module

Reverse mount

Unit:mm

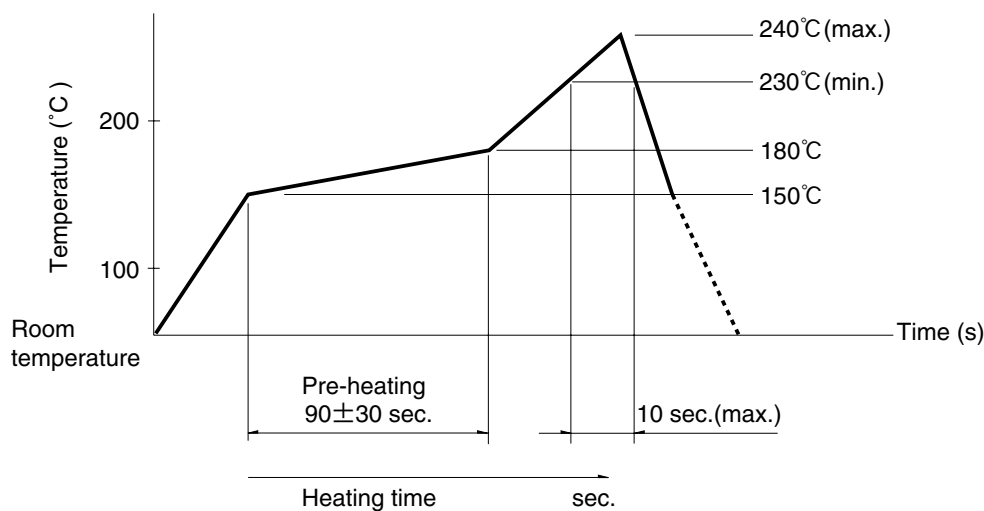


Automotive Use

Soldering Conditions

Example of Reflow Soldering Condition (Reference)

1. Heating method: Double heating method with infrared heater.
2. Temperature measurement: Thermocouple 0.1 to 0.2 ϕ CA (K) or CC (T).
3. Temperature profile (Surface of products).



Cautions for using this product

1. When soldering terminals, there is a danger that load placed on the terminals may cause rattle, deformation or electrical degradation to occur depending on the conditions. Caution is therefore required.
2. Avoid use of water-soluble soldering flux, since it may corrode the product.
3. Check and conform to reflow soldering requirements under actual mass production conditions.
4. PC board warping may alter the characteristics. Please take this into consideration when designing patterns and layout.
5. The card specifications are provided by the above manufactures. Products by other manufactures may not be compliant with these specifications and are subject to change without prior notice.

For SD Memory Card

For microSD™ Card

For SIM Card 8pins

For W-SIM

For Memory Stick Micro™

For Memory Stick™

Combine Type

For Compact Flash™

For CMOS Camera Module