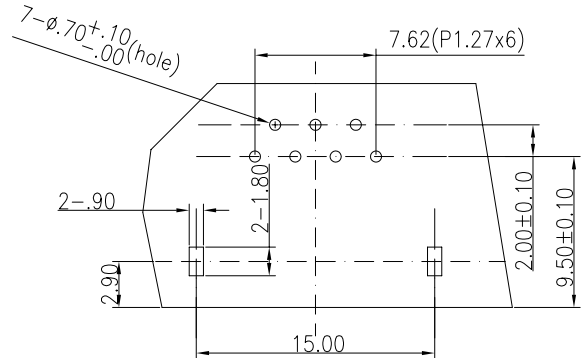
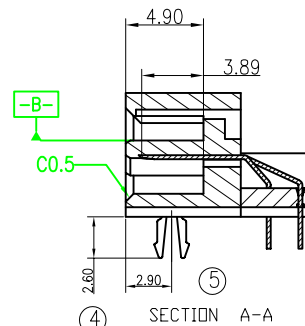
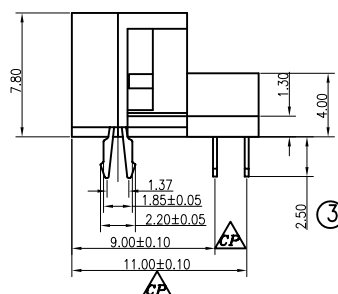
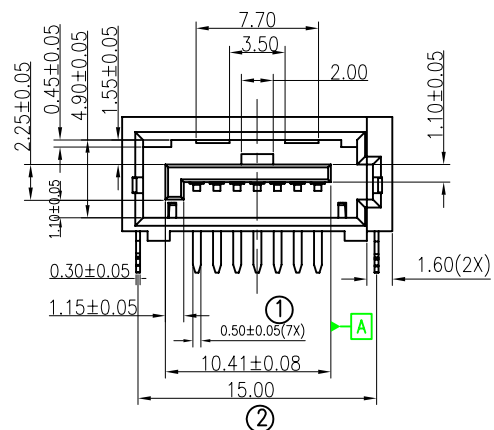
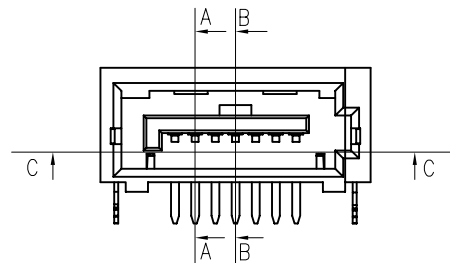
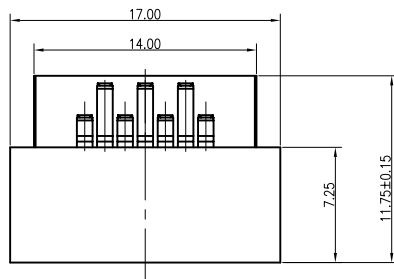


This document is the property of Amphenol Corporation and is delivered on the express condition that it is not to be disclosed, reproduced or used, in whole or in part, for manufacture or sale by anyone other than Amphenol Corporation without its prior consent, and that no right is granted to disclose or to use any information in this document.

CUSTOMER DRAWING

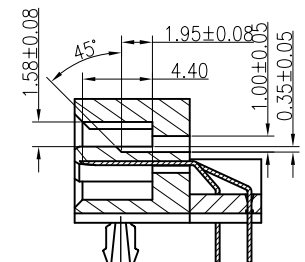
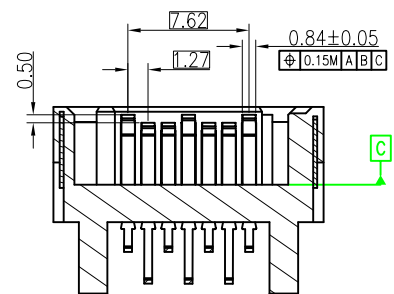
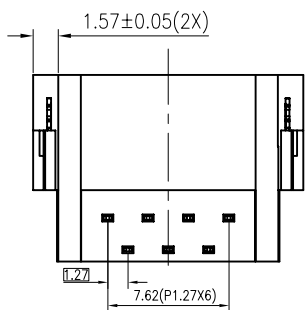
| REVISIONS | | | | |
|-----------|--------|-----------------|----------|----------|
| SYM | ECN | DESCRIPTION | DATE | APPROVED |
| A | HKXXXX | INITIAL RELEASE | 01/13/06 | IP |



RECOMMENDED PCB LAYOUT(DIP TYPE)
(PCB THICKNESS:1.0mm±0.10)

- NOTE:
- MATERIAL:
HOUSING: FR-4133, UL 94 V-0, BLACK;
CONTACTS: COPPER ALLOY T=0.25mm;
CONTACT FINISHED: 1.27-2.54um. NICKEL UNDER PLATED ON ENTIRE CONTACT;
SEE NOTES 4 FOR GOLD PLATING ON MATING AREA;
2.54-5.08um TIN PLATED ON TAIL AREA;
SOLDER TAB: BRASS, t=0.25;
SOLDER TAB FINISHED: 2.54-5.05um TIN OVER 1.27um MIN. NICKEL;
 - DIMENSIONS MARKED WITH (1) NEED TO BE CHECKED FOR PRODUCTION.
 - DIMENSIONS MARKED WITH (2) ARE CRITICAL AND REQUEST CPK CONTROL (CPK>=1.33).
 - PACKAGE: PACKING WITH TRAY.
 - ORDERING INFORMATION:
SATA - 011 - 2234 - X

GOLD PLATING ON MATING AREA:
1: 0.76 um MIN.
2: 0.38 um MIN.
3: GOLD FLASH



SECTION C-C

SECTION B-B



| | | |
|---------------------------------------|--------------------------------|----------|
| UNLESS OTHERWISE SPECIFIED TOLERANCES | U.S. | METRIC |
| | .X +/- | 0.3 |
| | .XX +/- | 0.20 |
| | .XXX +/- | |
| FRACTIONS +/- | | |
| ANGLES +/- | | 2° |
| FOR MATERIALS AND FINISHES SEE NOTES | APPROVAL DATE | |
| REMOVE SHARP EDGES | DRAWN: Mays.Lu | 01/13/06 |
| DIMENSIONS | CHECKED: Michael.IP | 01/13/06 |
| U.S. INCHES | DRAWING FILE : | |
| METRIC (MM) | \DRAWING\CATA\CSATA011207X.DWG | |
| | ANGLE OF PROJECTION | |
| | | |

| | | | |
|----------|-------------------|-------|-----------|
| Amphenol | | | TITLE |
| | | | SATA 7PIN |
| SIZE | DRAWING NO. | REV. | |
| A3 | C SATA-011-2234-X | A | |
| SCALE | NONE | SHEET | 1 OF 1 |