

Connector for Memory Card > SCHA Series > SCHA4B0419

Series Common Info

# For microSD™ Memory Card (Push-push Type) SCHA Series

| Photo | Dimensions | Mounting Dimensions | Packing Specifications | Soldering Conditions |

PRINT

Part number	<b>SCHA4B0419</b>	
Applicable media	microSD™ Memory Card	
Media ejection structure	Push-push type	
Mounting type	Surface mounting type	
Mounting style	Standard mount	
Features	With switches and fly-out protection	
Stand-off	0mm	
Packing system	Taping	
Minimum order unit (pcs.)	2,000	
Operating temperature range	-20°C to +70°C	
Voltage proof	500V AC 1minute	
Insulation resistance (Initial)	1,000MΩ min.	
Contact resistance (Initial)	Connector contacts	100mΩ max.
	Detection Switch	500mΩ max.
Insertion and removal cycle	10,000 cycles	

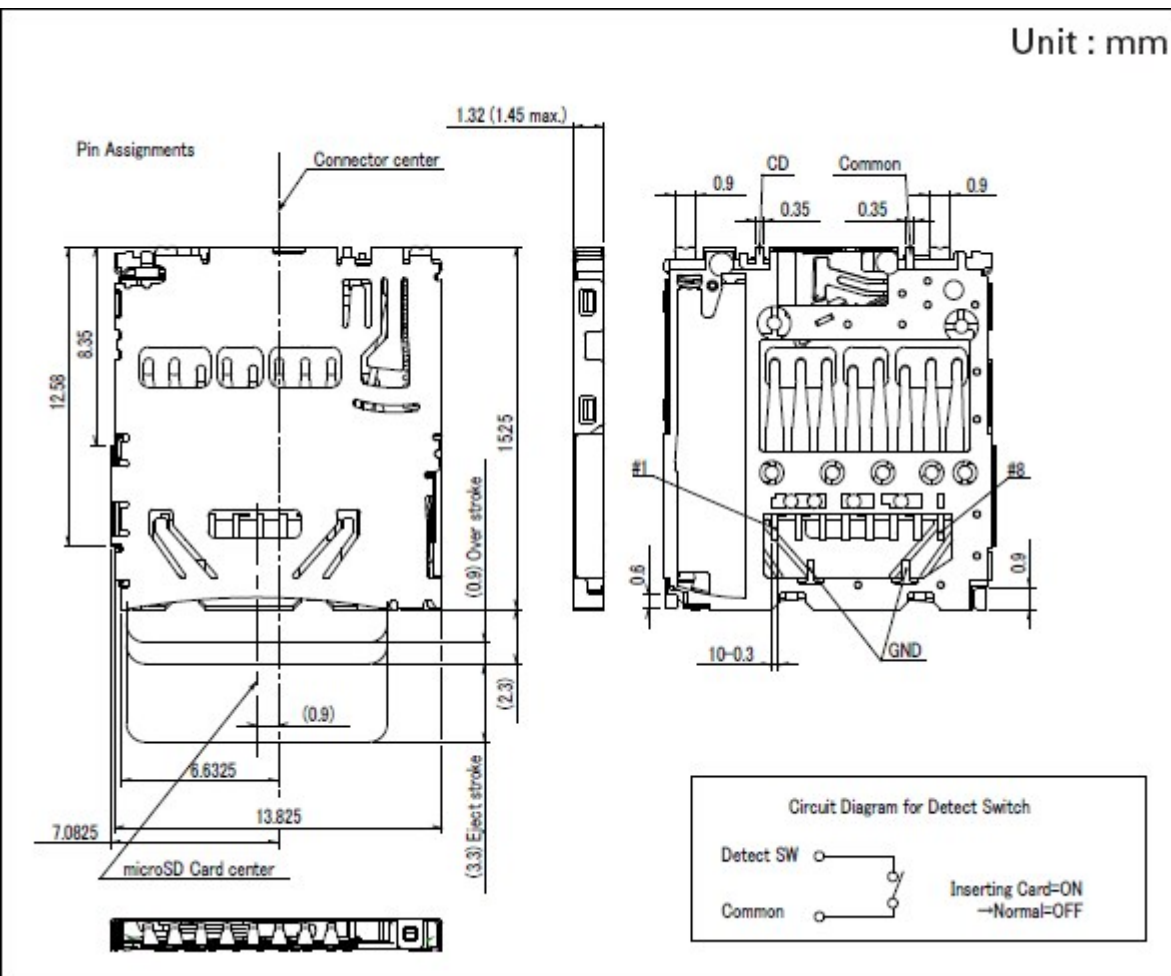
3D CAD (STEP)



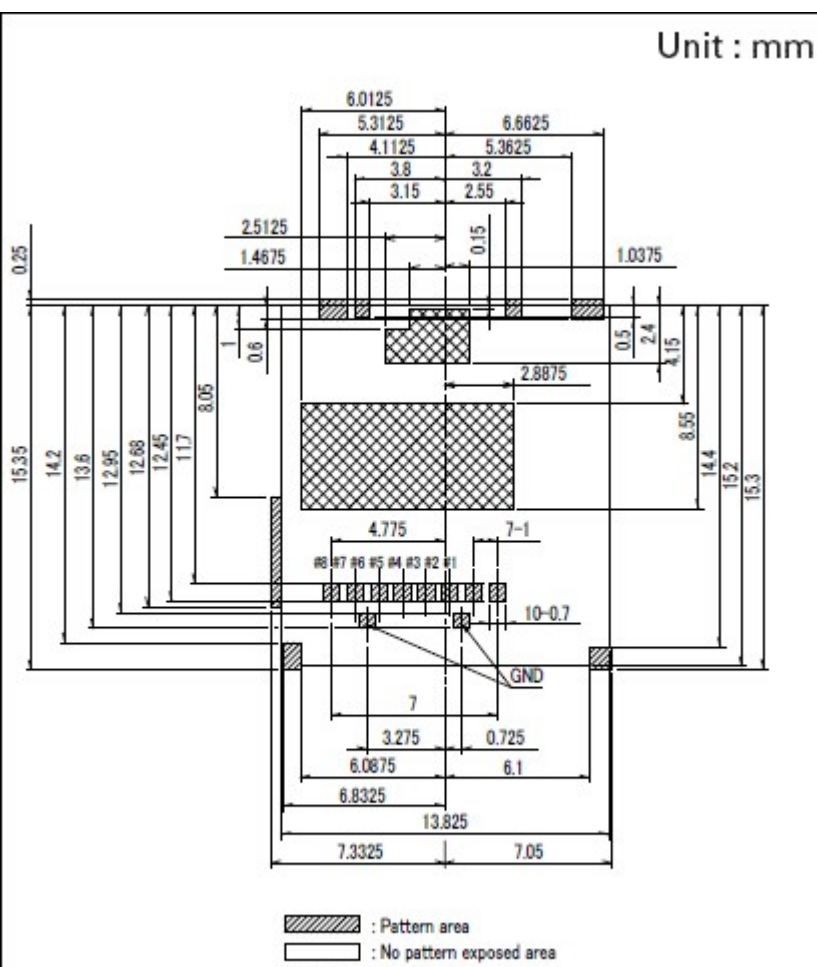
## Photo



# Dimensions



# Mounting Dimensions

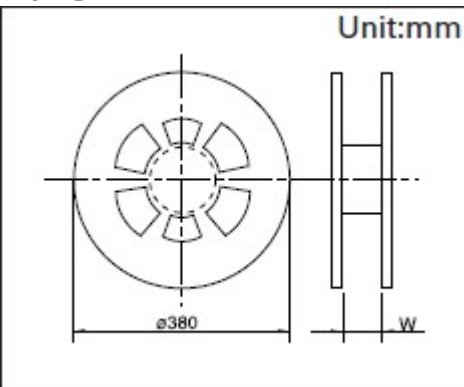


XXXX : No pattern area

Viewed from mounting face side.

## Packing Specifications

### Taping



Number of packages (pcs.)	1 reel	2,000
	1 case / Japan	6,000
	1 case / export packing	12,000
Reel width W(mm)		24.4
Tape width (mm)		24
Export package measurements (mm)		403×403×249

## Soldering Conditions

### Example of Reflow Soldering Condition (Reference)

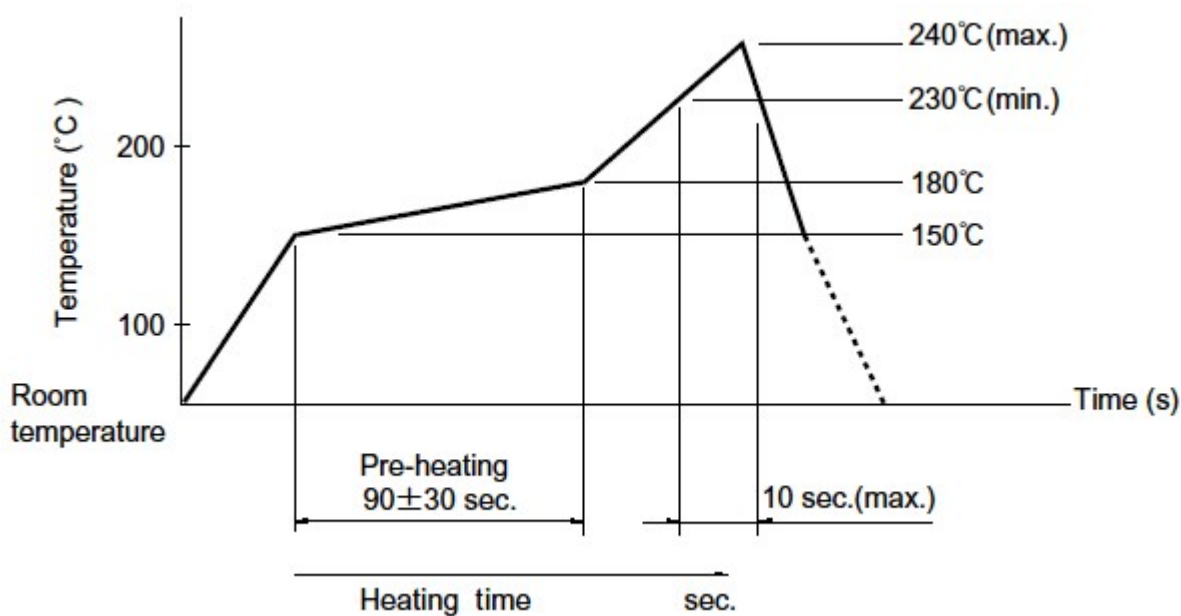
#### 1. Heating method

Double heating method with infrared heater.

#### 2. Temperature measurement

Thermocouple 0.1 to 0.2  $\Phi$  CA (K) or CC (T) at soldering portion.

#### 3. Temperature profile.



---

Notes are common to this series/models.

1. This site catalog shows only outline specifications. When using the products, please obtain formal specifications for supply.
2. Please place purchase orders per minimum order unit (integer).

## Inquiries about Products

 **Inquiry**