



## 9mm Size Metal Shaft Multi-ganged Type RK097 Series

### Single-shaft momentary push (0.5mm-travel) switch

Part number **RK0971114D0B**

Number of resistor elements Single-unit

Mounting direction Horizontal type

Fixing method of bushing Screw

Shaft types Flat

Length of the shaft 15mm

Center detent With

Total resistance 10k $\Omega$

Resistance taper 3B

Operating temperature range -20 $^{\circ}$ C to +70 $^{\circ}$ C

Electrical Performance Total resistance tolerance  $\pm 20\%$

Rated power 0.05W

Maximum operating voltage 50V AC, 10V DC

Residual resistance 20 $\Omega$  max.

Insulation resistance 100M $\Omega$  min. 250V DC

Voltage proof 300V AC for 1 minute

Mechanical Performance Total rotational angle 300 $^{\circ}$ (+10, -5) $^{\circ}$

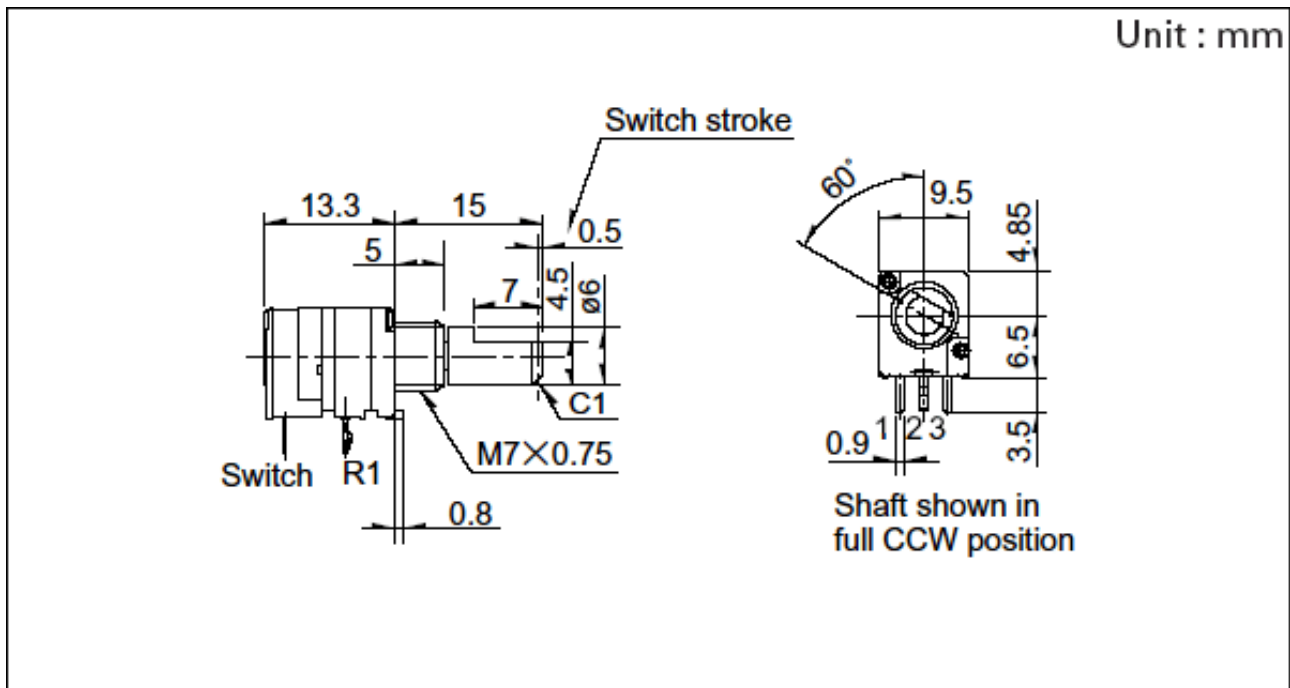
Rotational torque 2 to 25mN·m

	Stopper strength	0.5N·m
	Push-pull strength	100N max.
	Vibration	10 to 55 to 10Hz/min., the amplitude is 1.5mm for all the frequencies, in the 3 direction of X, Y and Z and for 2 hours respectively
Durability	Operating life	15,000 cycles
Specifications switches	Contact arrangement	Single pole and single throw
	Travel	0.5(+0.7, -0.3)mm
	Changeover force	4(+4, -2)N
	Operating life	10,000 cycles
	Ratings	0.5A 12V DC (10mA 12V DC min. rating)
	Contact resistance	100mΩ for initial period, 200mΩmax. after operating life.
	Insulation resistance	100MΩ min. 250V DC
	Voltage proof	300V AC for 1 minute
Minimum order unit (pcs.)	Japan	700
	Export	1,400

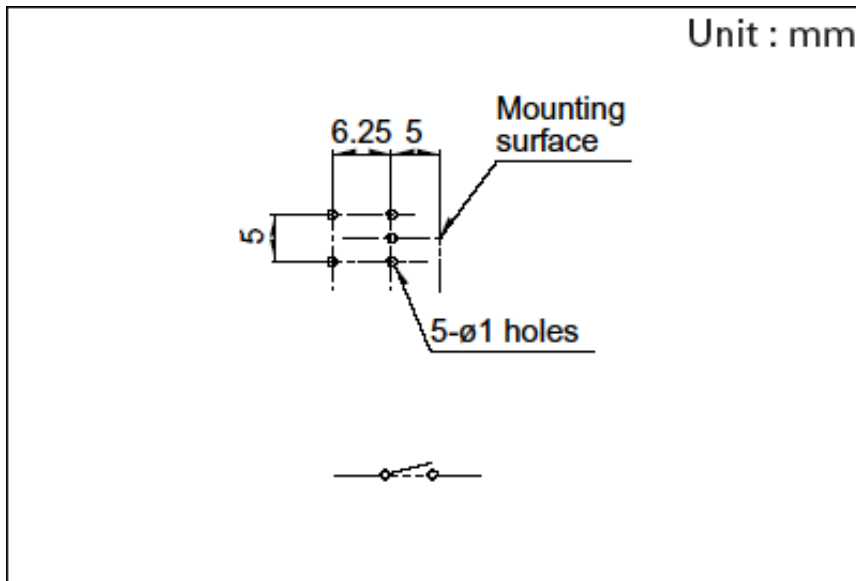
## Photo



Dimensions

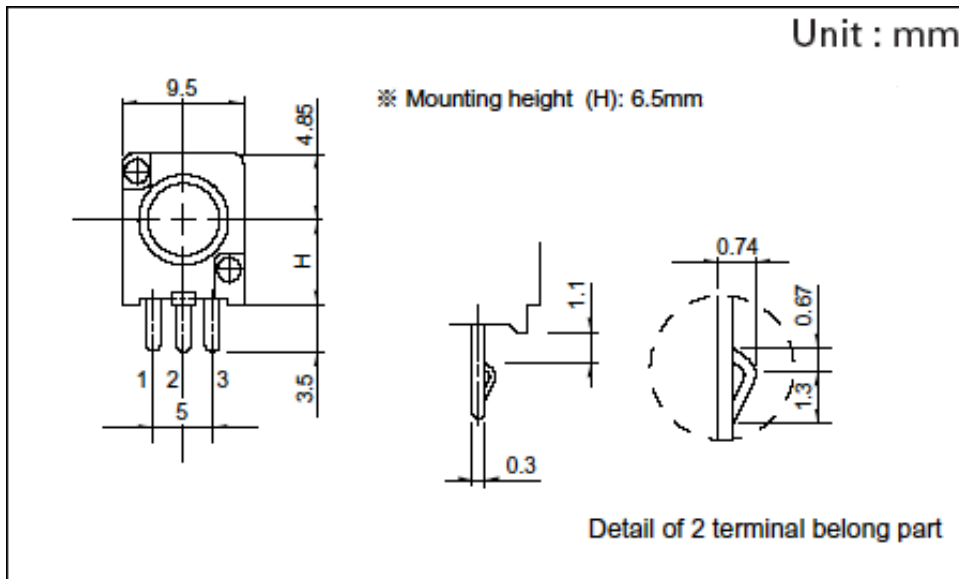


Mounting Hole Dimensions



Viewed from mounting side.

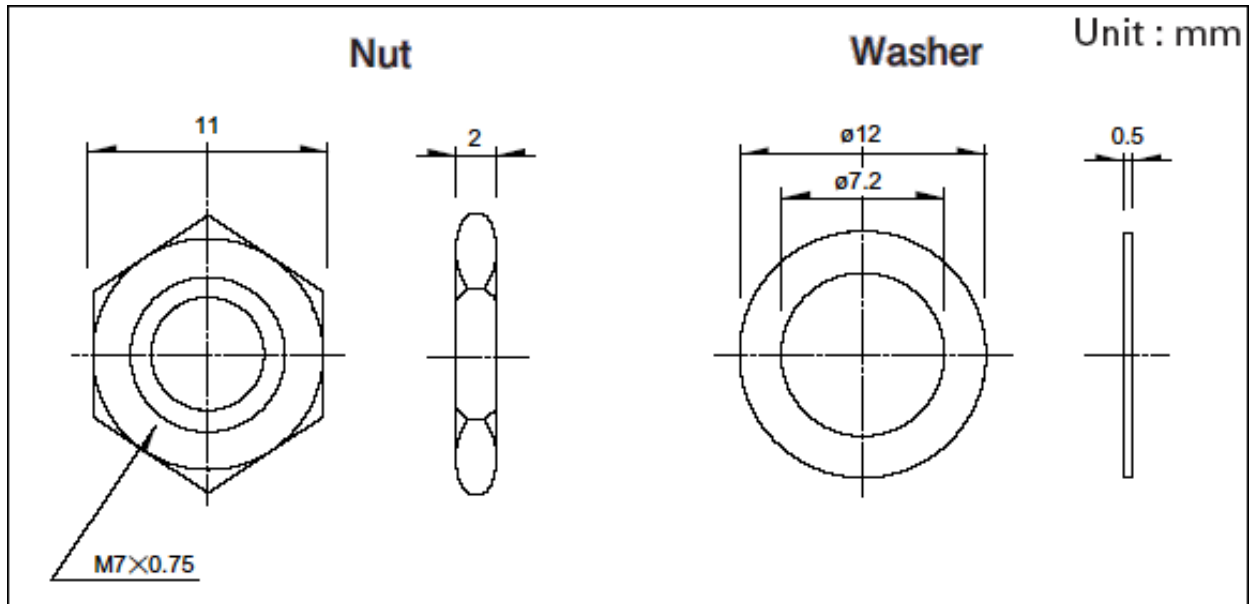
### Dimensions of Terminal



### Dimensions of Bushings

Bushing	M7
Dimensions	<p style="text-align: right;">Unit : mm</p> <p style="text-align: center;">Detail (A)</p>

## Attached Parts



These parts are attached to the following products.

## Packing Specifications

### Tray

Number of packages (pcs.)	1 case / Japan	700
	1 case / export packing	1,400
Export package measurements (mm)		373×540×181

## Soldering Conditions

### Reference for Dip Soldering

Preheating	Soldering surface temperature	100°C max.
	Heating time	2 min. max.
Dip soldering	Soldering temperature	260±5°C max.
	Soldering time	5±1s
No. of solders		2 time max.

### Reference for Hand Soldering

Tip temperature	350°C max.
-----------------	------------

---

Soldering time	3s max.
----------------	---------

---

No. of solders	1 time
----------------	--------

---

## Notes are common to this series/models.

1. This site catalog shows only outline specifications. When using the products, please obtain formal specifications for supply.
2. For the switch attached, the single-shaft or inner shaft of the dual-shaft type can be chosen.
3. Please place purchase orders per minimum order unit (integer).
4. Products other than those listed in above products are also available. Please contact us for details.
5. This products can be used in vehicles.

Although these products are designed to perform over a wide operating temperature range, please ensure that you receive and read the formal delivery specifications before use.