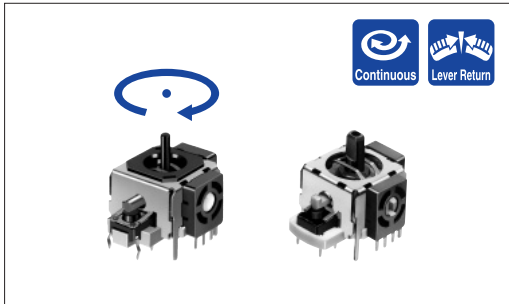


Multi Control Device Stick Controller

RKJXK/RKJXP Series



Compact size, standard type. Also available with lever return mechanism.



Multi Control
Devices

Typical Specifications (Potentiometer)

Items	RKJXK	RKJXP
Rated power	0.0125W	
Maximum operating voltage	50V AC, 5V DC	
Operating force	8mN·m max. (Not lever reset) 6±4mN·m (Lever reset type)	17±10mN·m
Operating life	100,000cycles	2,000,000cycles

Typical Specifications (Center Push)

Characteristics	RKJXK	RKJXP
Ratings (max.)	50mA 12V DC	
Operating force	5.2±2.6N	6.4 ^{+3.4} _{-2.6} N
Travel	0.5 ^{+0.5} _{-0.4} mm	
Operating life	100,000cycles	1,000,000cycles

Variable
Resistor Type

Switch
Type

Product Line

Lever return mechanism	Center-push	Total resistance (kΩ)	Resistance taper	Minimum order unit (pcs.)	Product No.	Drawing No.
Without	Without	10	B(0B)	500	RKJXK1210002	1
With					RKJXK122000D	
	With				RKJXK122400Y	2
					700	RKJXP1224002

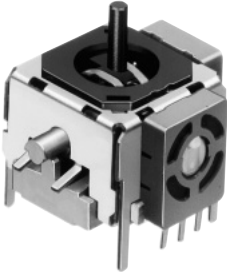
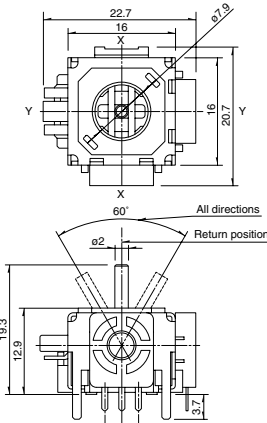
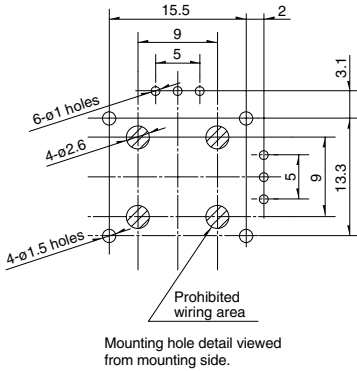
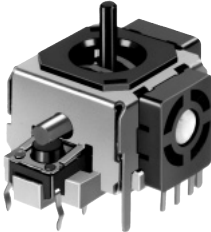
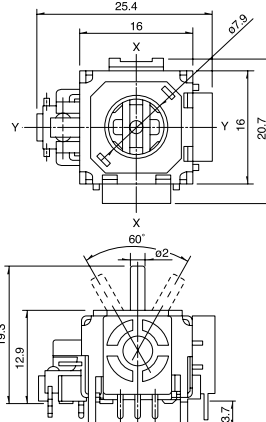
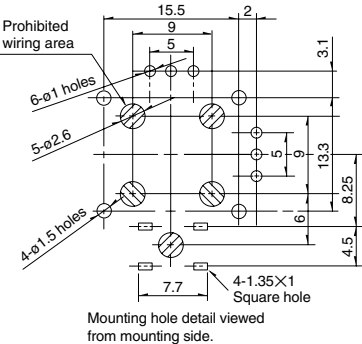
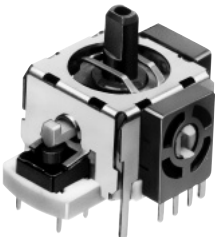
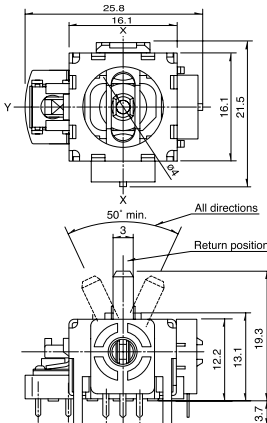
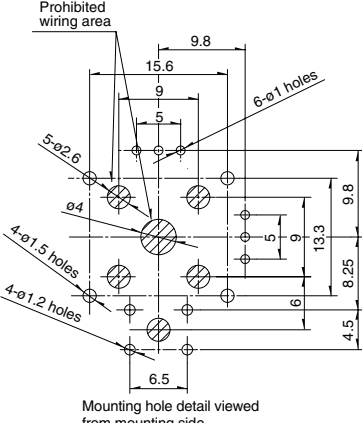
Packing Specifications

Tray

Products No.	Number of packages (pcs.)		Export package measurements (mm)
	1 case /Japan	1 case /export packing	
RKJXK	500	1000	373×540×225
RKJXP	700	1400	363×513×241

Dimensions

Unit:mm





No.	Photo	Style	PC board mounting hole dimensions (Viewed from mounting side)
1			
2			
3			

Multi Control
Devices

Variable
Resistor Type

Switch
Type

List of Varieties

Items		Series	Variable resistor type	
			RKJXK	RKJXP
Photo				
Function				
Dimensions (typical value) (mm)	W		20.7	20.8
	D		25.4	25.8
	H		12.9	12.2
Outlined specifica-tions	Number of operating shafts	Single-shaft		
	Shaft material	Metal	Resin	
	Directional resolution	Continuous		
	Directional operating feeling (tactic feeling)	Without		
	Directional operating force	8mN·m max. Without Lever return type 6±4mN·m Lever reset type		17±10mN·m
	Center-push switch	With/Without		With
	Encoder	Without		
Operating temperature range		-10°C to +70°C		
Electrical performance	Directional resolution	Continuous		
	Insulation resistance	100MΩ min. 250V DC		
	Voltage proof	250V AC for 1minute		
Mechanical performance	Push operating force	5.2±2.6N	6.4 ^{+3.4} _{-2.6} N	
Slider noise		300mV max. by JIS method		
Lever stopper strength		0.3N·m	—————	
Lever play		5° max.		
Lever strength		50N min. (Push/Pull)	98N min. (Push) 50N min. (Pull)	
Environmental performance	Cold	-30±2°C for 96h		
	Dry heat	80±2°C for 96h		
	Damp heat	60±2°C, 90 to 95%RH for 96h		
Soldering	Manual soldering	300°C max. 3s max.		
	Dip soldering	260±5°C, 5±1s		
	Manual soldering	—————		
Page		483		

Multi Control
DevicesVariable
Resistor Type
Switch
Type

● Variable Resistor Type Multi Control Devices Caution485

Note

For export packing, please contact us .