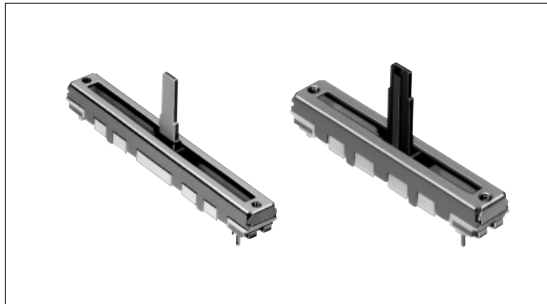


# Slide Potentiometer Standard Type (Super Slide™)

RS□□1 Series



Solderable with auto dipping and available in a wide variety.



## Typical Specifications

Items	Specifications
Total resistance tolerance	±20%
Maximum operating voltage	50V AC, 10V DC
Operating force	0.3 to 2.5N
Operating life	15,000cycles
Operating temperature range	-25°C to +70°C

## Product Line

### Insulated lever

Number of resistor elements	Travel (mm)	Lever types	Length of lever (mm)	Total resistance (kΩ)	Resistance taper	Detent	Mounting plate	Minimum packing unit (pcs.)	Products No.	Drawing No.	
Single-unit	20	J-1	5	10	1B	Without	Without	700	RS201111J011	1	
	15A				RS301111J00P				2		
	30				1B		Without	600	RS301111AJ01R	3	
					15A				RS301111J00R	2	
	45	A	10	10	1B		Without	RS301111AJ01K	3	RS301111A01G	4
								C	RS301111C01L	5	
		B					With		RS301111AC00V	6	
								C	1,300	RS451111ABA02	7
Dual-unit	30	J-1	5	3B	With	600	RS30112AC00J	8			
								RS30112AJA02	9		

### Metal lever

Number of resistor elements	Travel (mm)	Lever types	Length of lever (mm)	Total resistance (kΩ)	Resistance taper	Detent	Mounting plate	Minimum packing unit (pcs.)	Products No.	Drawing No.
Single-unit	15	9-1	10	10	15A	Without	With	700	RS151111A900B	10
	20				RS201111A9A03				11	
	30	4	15	20	1B		Without	600	RS301111A9012	12
		6							RS3011114A02	13
	45	9-1	10	10	15A		With	1,300	RS301111A602N	14
									6	RS451111A900F
	60	9-1	10	15	10		Without	900	RS4511119A04	16
									6	RS6011YA600M
		6	15	10	10		1B	Without	RS6011Y19004	18
									6	RS6011Y1600Q
Dual-unit	45	4	20	20	15A	With	1,150	RS451121400A	20	
	60	6	15	20	15A	With	900	RS45112A400G	21	
								RS60112A600N	22	
								RS60112A600U		

## Note

- Products other than those listed in above products are also available. Please contact us for details.
- Please place purchase orders per minimum order unit N (integer).

Refer to P.420 for product varieties.  
Refer to P.420 for configuration details.  
Refer to P.420, 421, 456 for resistance taper.

**Packing Specifications**

**Tray**

Travel (mm)	Number of resistor elements	Number of packages (pcs.)		Export package measurements (mm)
		1 case/Japan	1 case/export packing	
15, 20	Single-unit	700	2,800	378×518×422
30	Single-unit/ Dual-unit	600	2,400	
45	Single-unit	1,300	1,300	373×529×273
	Dual-unit	1,150	1,150	
60	Single-unit/ Dual-unit	900	900	

**Dimensions**

Unit:mm

No.	Style	PC board mounting hole dimensions
1		
2		
3		
4		
5		

Rotary Potentiometers  
Slide Potentiometers

General-use  
Mixer

Automotive Use

The length of the operating part (L<sub>1</sub>) can be customized. Refer to P.420 for details.

Dimensions

Unit:mm

No.	Style	PC board mounting hole dimensions
6		
7		
8		
9		

The length of the operating part (L<sub>1</sub>) can be customized. Refer to P.420 for details.

Dimensions

Unit:mm

Rotary Potentiometers  
Slide Potentiometers

General-use  
Mixer

Automotive Use

No.	Style	PC board mounting hole dimensions
10		
11		
12		
13		
14		

The length of the operating part (L<sub>1</sub>) can be customized. Refer to P.420 for details.

No.	Style	PC board mounting hole dimensions
15		
16		
17		
18		

The length of the operating part (L<sub>1</sub>) can be customized. Refer to P.420 for details.

Dimensions

Unit:mm

Rotary Potentiometers  
Slide Potentiometers

General-use Mixer

Automotive Use

No.	Style	PC board mounting hole dimensions
19		
20		
21		
22		

The length of the operating part (L<sub>1</sub>) can be customized. Refer to P.420 for details.

## Product Varieties

In addition to the recommended products, the following specifications can also be accommodated.

### Travel Distance Variety

Travel (mm)	15	20	30	45	60
-------------	----	----	----	----	----

### Total Resistance Variety

Total resistance (kΩ)	10	20	50	100	200
-----------------------	----	----	----	-----	-----

### Resistance Taper

Resistance taper	1B	4B	10A	15A
------------------	----	----	-----	-----

### Note

DC (10VDC) is also available. (Tapped types are not available)

### Lever Types

Unit:mm

Metal lever		Insulated lever							
Code	Dimensions	Code	Dimensions						
9-2	<table border="1"> <tr><td>L<sub>1</sub></td></tr> <tr><td>5</td></tr> </table>	L <sub>1</sub>	5	J-1	<table border="1"> <tr><td>L<sub>1</sub></td></tr> <tr><td>5</td></tr> </table>	L <sub>1</sub>	5		
L <sub>1</sub>									
5									
L <sub>1</sub>									
5									
9-1	<table border="1"> <tr><td>L<sub>1</sub></td></tr> <tr><td>10</td></tr> </table>	L <sub>1</sub>	10	A	<table border="1"> <tr><td>L<sub>1</sub></td></tr> <tr><td>10</td></tr> <tr><td>15</td></tr> </table>	L <sub>1</sub>	10	15	
L <sub>1</sub>									
10									
L <sub>1</sub>									
10									
15									
6	<table border="1"> <tr><td>L<sub>1</sub></td></tr> <tr><td>15</td></tr> <tr><td>20</td></tr> </table>	L <sub>1</sub>	15	20	C	<table border="1"> <tr><td>L<sub>1</sub></td></tr> <tr><td>10</td></tr> <tr><td>15</td></tr> </table>	L <sub>1</sub>	10	15
L <sub>1</sub>									
15									
20									
L <sub>1</sub>									
10									
15									
4	<table border="1"> <tr><td>L<sub>1</sub></td></tr> <tr><td>15</td></tr> <tr><td>20</td></tr> </table>	L <sub>1</sub>	15	20					
L <sub>1</sub>									
15									
20									

### Corresponding Specifications

Unit:mm

Resistance taper	3B, 15C	Insulated lever configuration	B		
Dust cover	Available	<table border="1"> <tr><td>L<sub>1</sub></td></tr> <tr><td>10</td></tr> <tr><td>15</td></tr> </table>	L <sub>1</sub>	10	15
L <sub>1</sub>					
10					
15					
Tap	Available (Only the center-positioned)				

### Terminal Layout/Circuit Diagram

Single-unit	Single-unit (with lug terminal) (RS6011Y only)	Dual-unit
	<p>L : Lug terminal</p>	

### Note

marked are specifications recommended by ALPS.

Refer to P.421, 456 for resistance taper.

Rotary Potentiometers  
Slide Potentiometers

General-use  
Mixer



Automotive Use

# Orders Other Than Recommended Products

When ordering product varieties that are not listed in the Product Line, please specify by referring to the below example.

## Sample Part Number



Specify the travel distance from the below codes.

Travel (mm)	Code	Travel (mm)	Code
15	15	45	45
20	20	60	60
30	30		

Number of resistor elements

<b>Single</b>	1 (Enter "Y" for 60 mm travel)
<b>Dual</b>	2

Lever type/Length of operation unit (mm)

**Insulated lever**

Code	Configuration	Length
J1	J-1	5
0A	A	10
		15
0C	C	10
		15
0B	B	10
		15

**Metal lever**

Code	Configuration	Length
91	9-1	10
92	9-2	5
04	4	15
		20
06	6	15
		20

Length of operation unit

If the length is less than 10 mm, add a "0" before the number.  
(e.x., 5 mm length="05")

Detent

Code	Detent
C0	Without
C1	Center

Mounting plate

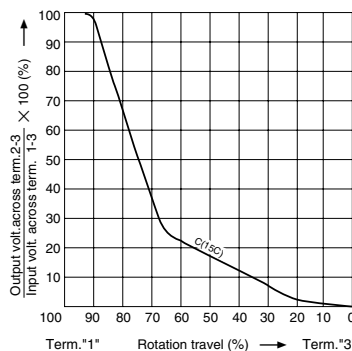
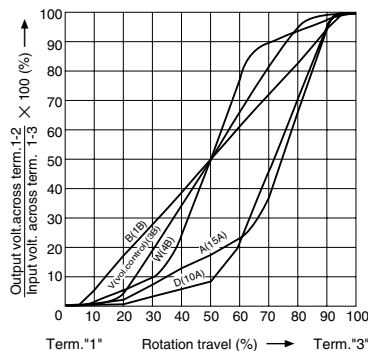
Code	Mounting plate
P0	Without
P1	With

Total resistance

Code	Total resistance (kΩ)	Code	Total resistance (kΩ)
103	10	104	100
203	20	204	200
503	50		

Resistance taper

Code	Resistance taper
A	15A
B	1B
D	10A
W	4B
V	3B
C	15C



B:For tone & general  
V:For vol.

### Note

marked are specifications recommended by ALPS.

Rotary Potentiometers  
Slide Potentiometers


General-use  
Mixer



Automotive Use



## List of Varieties

Type		Super Slide™	
		RS□□11□	
photo			
Travel (mm)		15 (RS15111) 20 (RS20111) 30 (RS30111) 45 (RS45111) 60 (RS6011Y)	20 (RS20112) 30 (RS30112) 45 (RS45112) 60 (RS60112)
Number of resistor elements		Single-unit	Dual-unit
Direction of lever		Vertical	
Electrical Performance	Total resistance (kΩ)	10, 20, 50, 100, 200	
	Resistance taper	15A, 1B, 4B, 10A, 3B, 15C	
Mechanical Performance	Operating force	0.3 to 2.5N	
	Stopper strength	50N	
	Lever push-pull strength		
	Lever wobble (mm) ※Both sides	$\frac{2(2 \times L)}{20}$	
	Detent slip-out force	Operating force+ (0.2 to 2N)	
	Lever deviation (mm) ※One side	0.5 max.	
Solder heat resistance	Manual soldering	350°C max. 3s max.	
	Dip soldering	260°C max. 5s max.	
Environmental Performance	Cold	-30±2°C for 96h	
	Dry heat	70±2°C for 96h	
	Damp heat	40±2°C, 90 to 95%RH for 96h	
Page		414	

● Slide Potentiometers Cautions .....422, 423

### Notes

1. "L" in the "Lever Wobble" column of the above table indicates the length of lever.
2. Products other than those listed in the above list are also available. Please contact us for details.
3. [RS□□] □□ indicates travel.