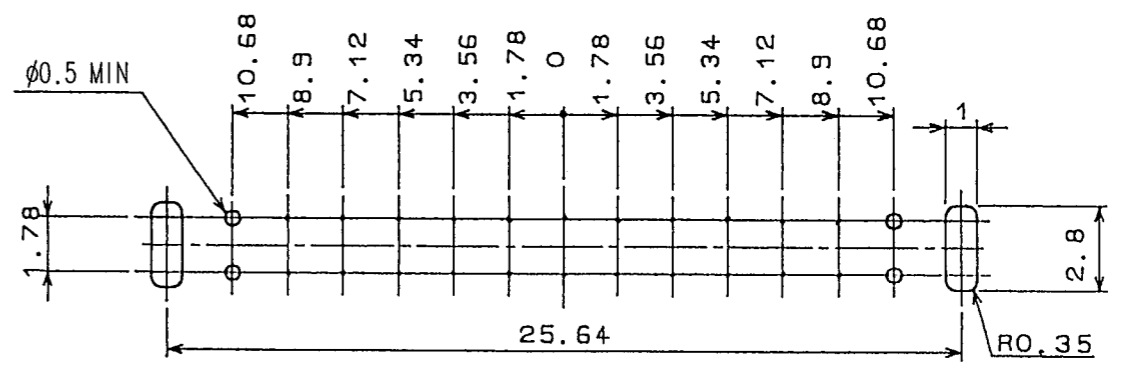
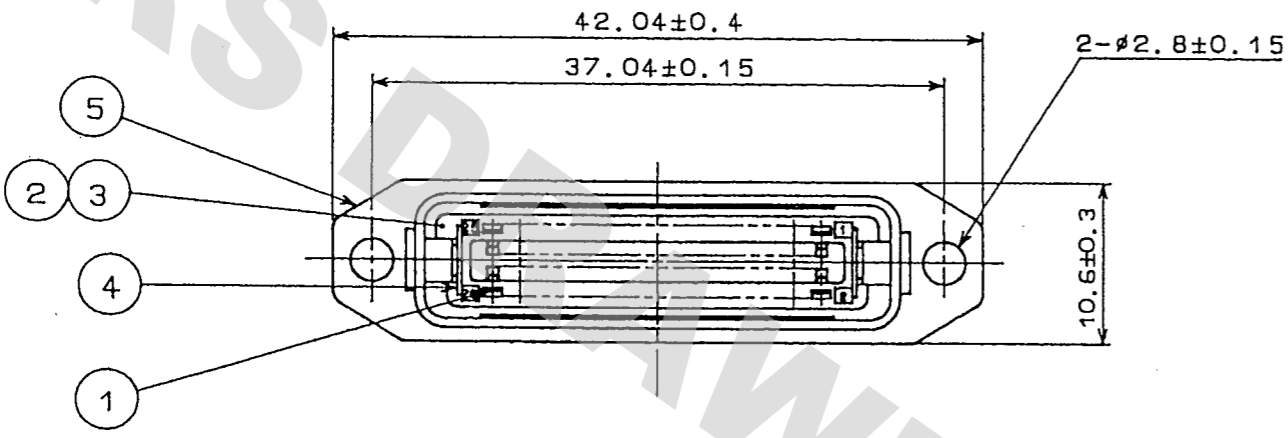
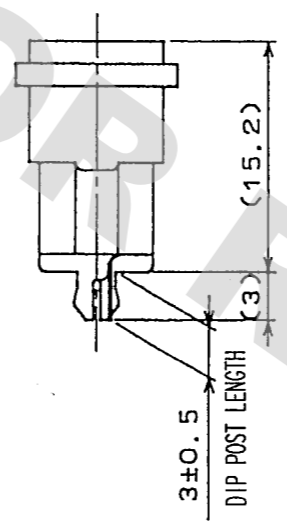
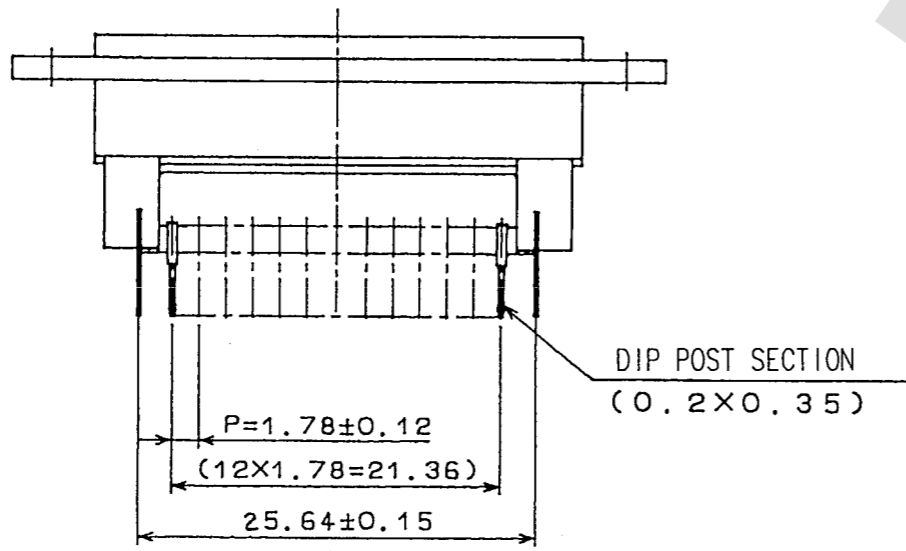


COUNT	DESCRIPTION OF REVISIONS	BY	CHKD	DATE	COUNT	DESCRIPTION OF REVISIONS	BY	CHKD	DATE



RECOMMENDED PC BOARD HOLE PATTERN (t=1.6)
(SCALE 4/1)



NOTE. THE DIMENSIONS IN PARENTHESES ARE FOR REFERENCE.

3	PET	UL94V-0(BLACK)			
2	PET	UL94V-0(BLACK)	5	ZINC ALLOY DIE CASTING	SILVER COATING
1	PHOSPHOR BRONZE	SELECTIVE GOLD PLATING 0.2μ m	4	PHOSPHOR BRONZE	NICKEL PLATING
NO.	MATERIAL	FINISH, REMARKS	NO.	MATERIAL	FINISH, REMARKS

CODE NO. (OLD) CL	DRAWN J. Kameya 03.9.17	DESIGNED J. Kameya 03.9.17	CHECKED Y. Enomi 03.09.18	APPROVED H. Miwa 03.09.18	RELEASED ..
----------------------	-------------------------------	----------------------------------	---------------------------------	---------------------------------	----------------

	DRAWING NO. EDC3-021391-01	PART NO. QM20-26R-PR(50)
SCALE 2 : 1	 HIROSE ELECTRIC CO., LTD	CODE NO. CL226-0018-5-50
UNITS mm		1/1

DRAWING FOR REFERENCE: This is subject to change without notice
08/11/2012

TO
Q