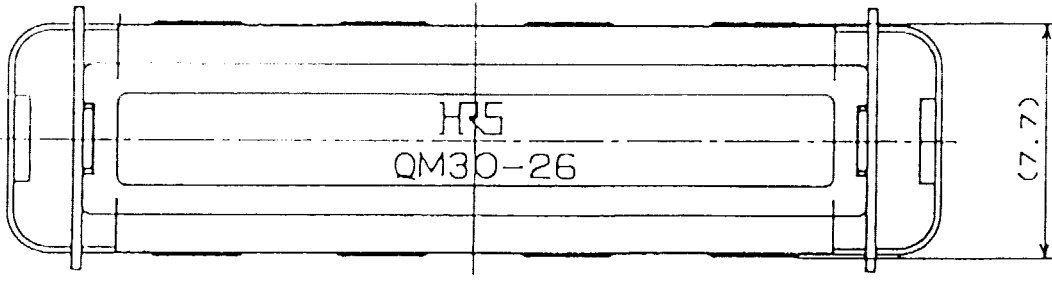
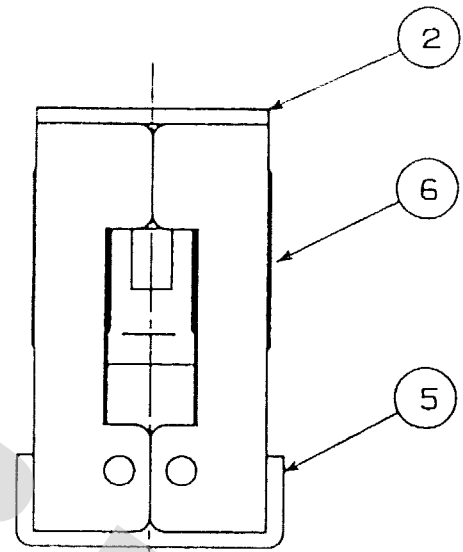
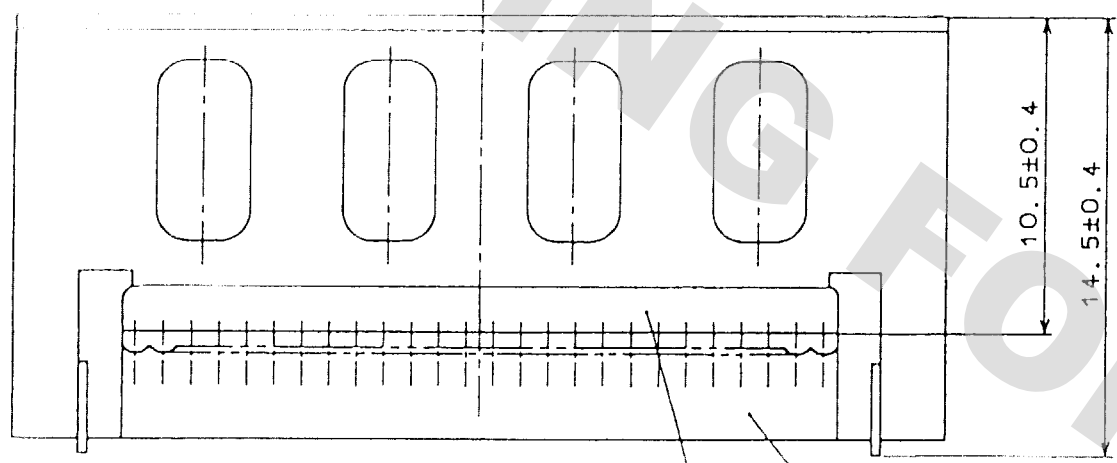
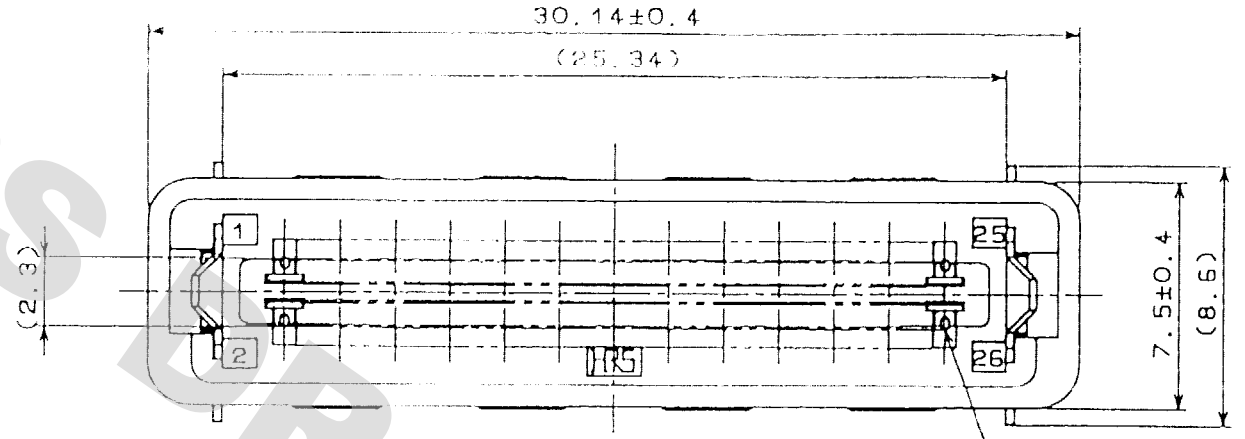


DRAWING FOR REFERENCE: This is subject to change without notice
08/11/2012

TO
Q

COUNT	DESCRIPTION OF REVISIONS	BY	CHKD	DATE	COUNT	DESCRIPTION OF REVISIONS	BY	CHKD	DATE



NOTE: THE DIMENSIONS IN PARENTHESES ARE FOR REFERENCE.

3	PET	UL94V-0(BLACK)	6	STAINLESS STEEL			
2	PET	UL94V-0(BLACK)	5	PHOSPHOR BRONZE	NICKEL PLATING		
1	BERYLLIUM COPPER	SELECTIVE GOLD PLATING 0.2μm	4	PET	UL94V-0(BLACK)		
NO.	MATERIAL	FINISH, REMARKS	NO.	MATERIAL	FINISH, REMARKS		
CODE NO. (OLD) CL			DRAWN	DESIGNED	CHECKED	APPROVED	RELEASED
			<i>J. Hanayama</i>	<i>T. Kametani</i>	<i>Y. Enami</i>	<i>H. Minato</i>	
			03.9.9	03.9.9	03.04.09	03.09.10	
SCALE 4 : 1			DRAWING NO. EDC3-023334-01		PART NO. QM30-26PA-EP(50)		
UNITS mm			HRS HIROSE ELECTRIC CO., LTD		CODE NO. CL226-0063-0-50		1/1