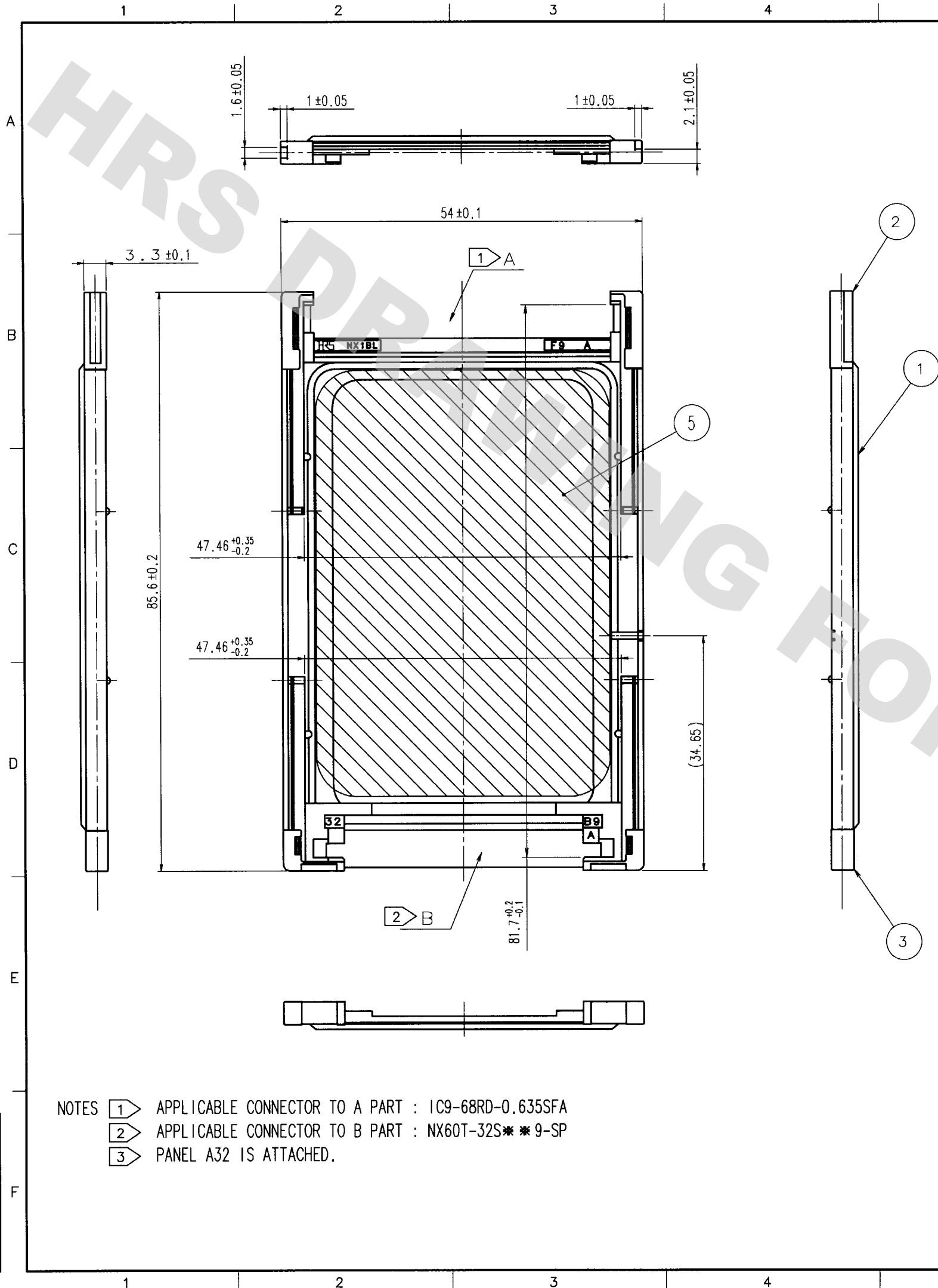


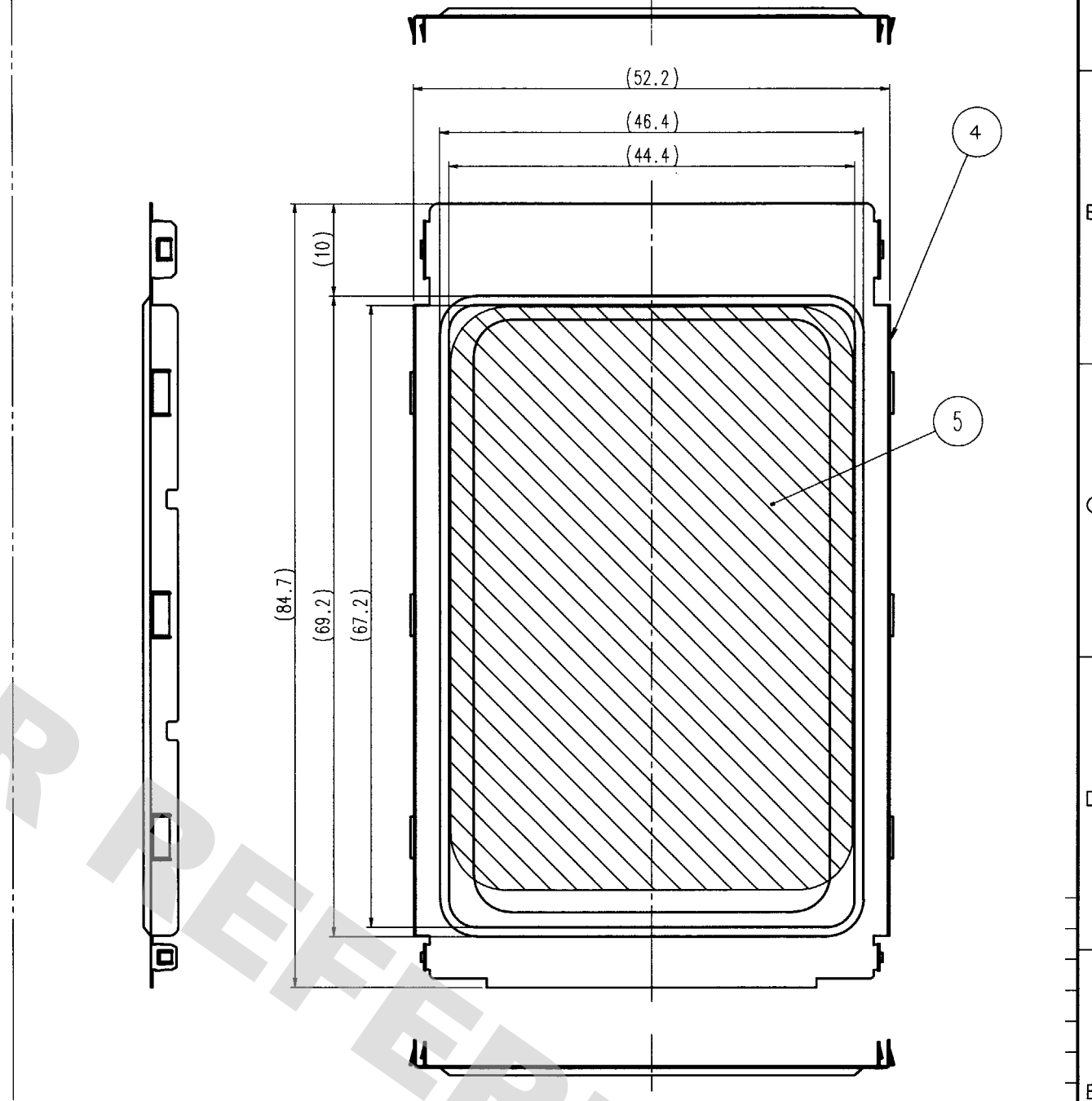
DRAWING FOR REFERENCE: This is subject to change without notice
08/11/2012

TO
PCK



COUNT	DESCRIPTION OF REVISIONS	BY	CHKD	DATE	COUNT	DESCRIPTION OF REVISIONS	BY	CHKD	DATE
△					△				
△					△				
△					△				

3 < PANEL A32 >



- NOTES
- 1 APPLICABLE CONNECTOR TO A PART : IC9-68RD-0.635SFA
 - 2 APPLICABLE CONNECTOR TO B PART : NX60T-32S**9-SP
 - 3 PANEL A32 IS ATTACHED.

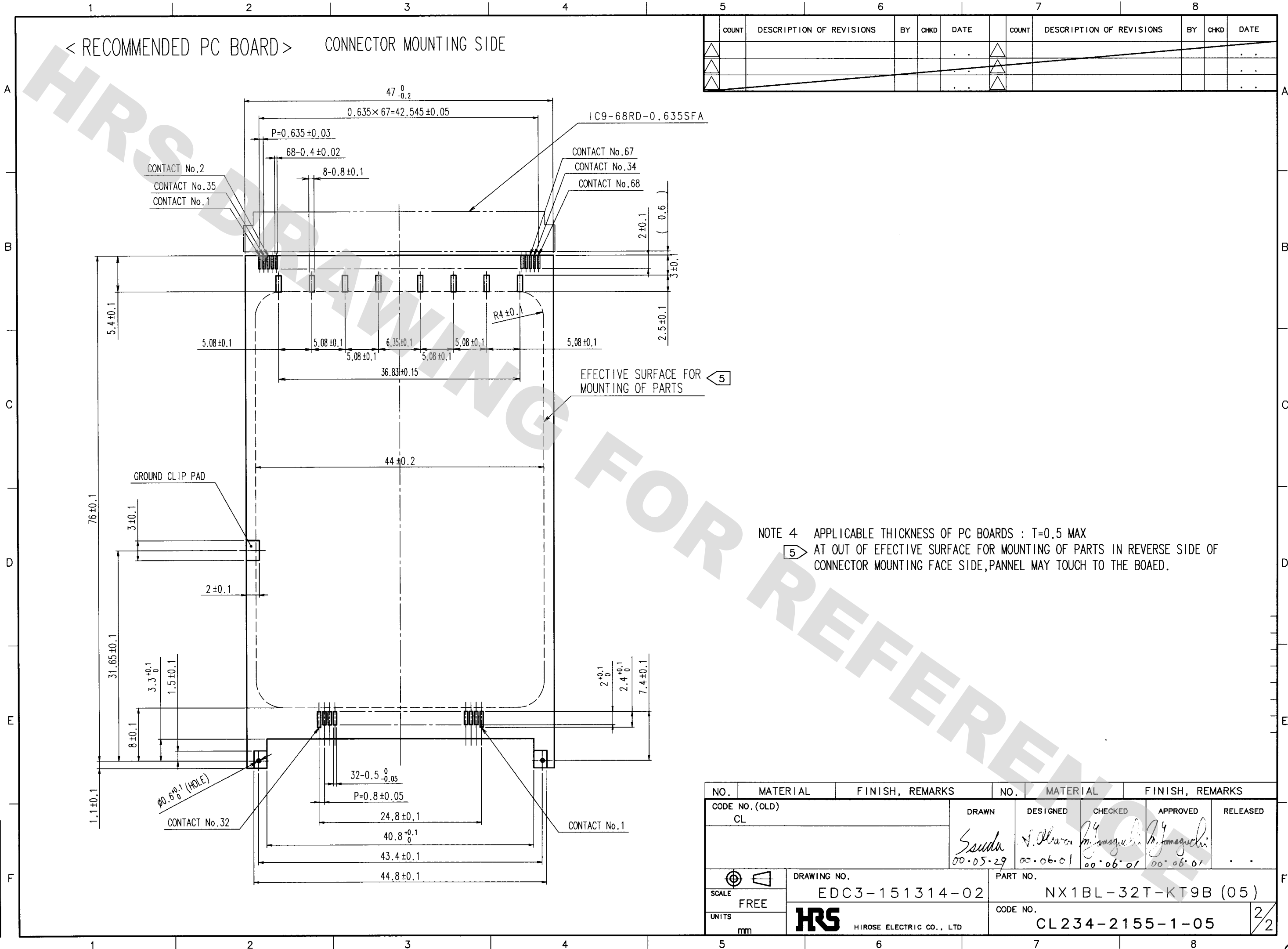
NO.	MATERIAL	FINISH, REMARKS	NO.	MATERIAL	FINISH, REMARKS
2	PBT	(BLACK) UL94V-0	5	POLYESTER	(BLACK) UL510-FR
1	STAINLESS STEEL	DULL PROCESSING MATERIAL	4	STAINLESS STEEL	DULL PROCESSING MATERIAL
			3	PBT	(BLACK) UL94V-0

CODE NO. (OLD) CL	DRAWN <i>Saida</i> 00.05.29	DESIGNED <i>S. Alvara</i> 00.06.01	CHECKED <i>M. Yamaguchi</i> 00.06.01	APPROVED <i>M. Yamaguchi</i> 00.06.01	RELEASED
----------------------	-----------------------------------	--	--	---	----------

SCALE FREE	DRAWING NO. EDC3-151314-02	PART NO. NX1BL-32T-KT9B (05)
UNITS mm	HRS HIROSE ELECTRIC CO., LTD	CODE NO. CL234-2155-1-05

DRAWING FOR REFERENCE: This is subject to change without notice.
08/11/2012

TO
PCK



COUNT	DESCRIPTION OF REVISIONS	BY	CHKD	DATE	COUNT	DESCRIPTION OF REVISIONS	BY	CHKD	DATE

NOTE 4 APPLICABLE THICKNESS OF PC BOARDS : T=0.5 MAX
 5 AT OUT OF EFFECTIVE SURFACE FOR MOUNTING OF PARTS IN REVERSE SIDE OF CONNECTOR MOUNTING FACE SIDE, PANNEL MAY TOUCH TO THE BOAED.

NO.	MATERIAL	FINISH, REMARKS	NO.	MATERIAL	FINISH, REMARKS

CODE NO. (OLD) CL	DRAWN <i>Ssuda</i> 00-05-29	DESIGNED <i>S. Okawa</i> 00-06-01	CHECKED <i>M. Yamaguchi</i> 00-06-01	APPROVED <i>M. Yamaguchi</i> 00-06-01	RELEASED
SCALE FREE	DRAWING NO. EDC3-151314-02		PART NO. NX1BL-32T-KT9B (05)		
UNITS mm	HRS HIROSE ELECTRIC CO., LTD		CODE NO. CL234-2155-1-05		2/2