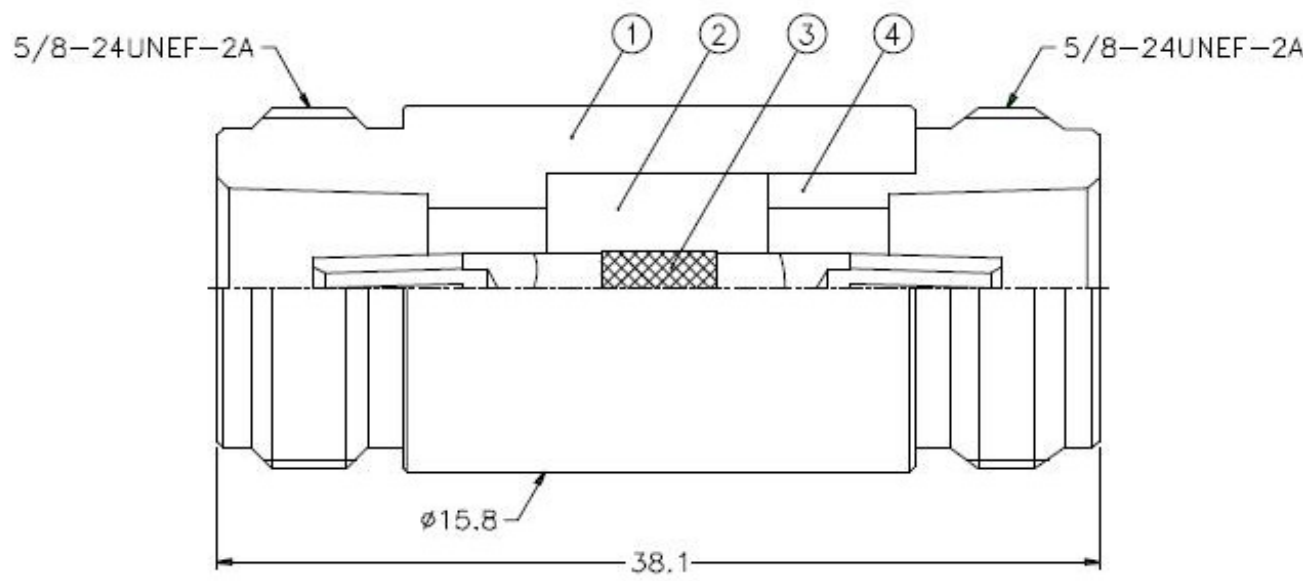


1			2			3			4			5			6			7			8		
REVISIONS																							
ISS	ZONE	DESCRIPTION\PER REQUEST\DATE																					



- NOTES: FINISH (PLATING THICKNESS IN MICRO-INCHES)
- BRASS PER QQ-B-626
  - NICKEL PL, 100 MIN. THICK OVER COPPER STRIKE
  - PHOSPHOR BRONZE PER QQ-B-750
  - GOLD PL, 3 MIN. THICK OVER NICKEL PL, 100 MIN. THICK OVER COPPER STRIKE
  - PTFE MIL-P-19468

DIMENSIONS ARE IN MILLIMETERS				PART NO. N7071A1-NT3G-50	
UNLESS OTHERWISE SPECIFIED TOLERANCES				APPROVED	DATE 10-11-01*
0.5-6 = ±0.2				CHECKED	DATE 10-11-01*
6-30 = ±0.4				DRAWN	DATE 10-11-01*
30-120 = ±0.6					
120-315 = ±1					
315-1000 = ±1.6					
1000-2000 = ±2.4					
SCALE	3/1	ISSUE	A	FILE NO.	

<b>Amphenol</b>	
TITLE N FEMALE TO FEMALE ADAPTOR	
DRAWING NO. KJ-N7071A1-NT3G-50	
ITEM NO.	

4	BODY	NOTE 1	NOTE 2	1	N7900-4
3	CONTACT PIN	NOTE 3	NOTE 4	1	N7900-3
2	INSULATOR	NOTE 5	NATURAL	1	N7900-2T-50-B
1	HOUSING	NOTE 1	NOTE 2	1	N7900-1
NO.	DESCRIPTION	MATERIAL	FINISH	Q'TY	DRAWING NO.

1			2			3			4			5			6			7			8		
---	--	--	---	--	--	---	--	--	---	--	--	---	--	--	---	--	--	---	--	--	---	--	--