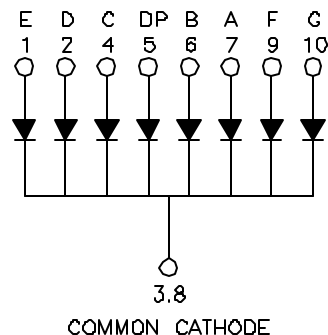
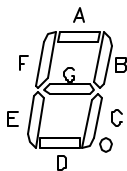
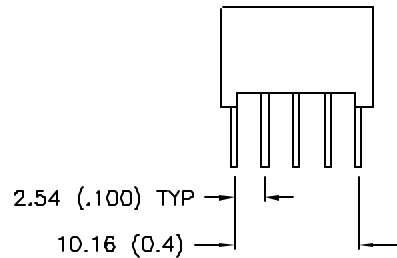
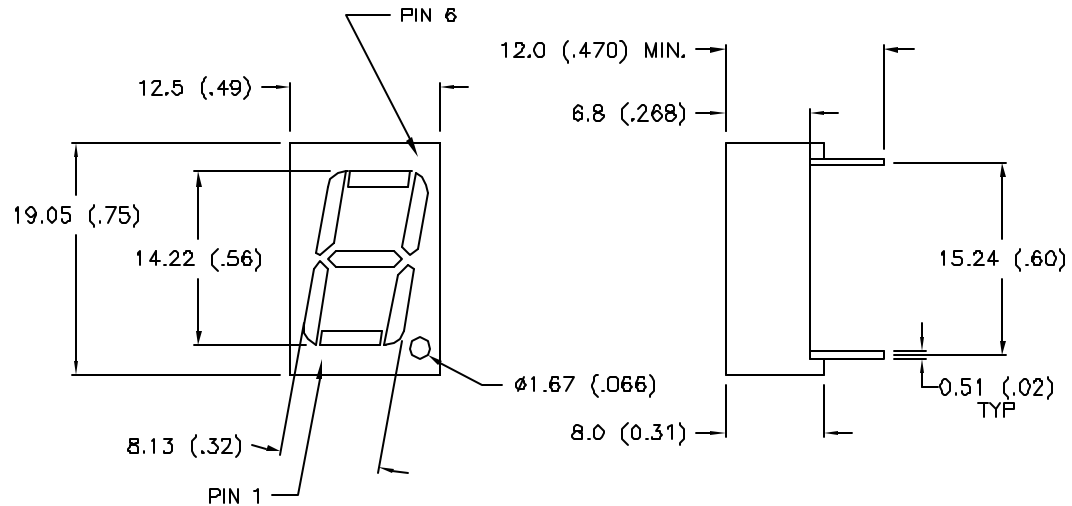


DATE	REVISIONS	REV
10-4-96	E.C.N. #10255./	A

DRAWING NUMBER	REV
LDS-C514RI	A




ELECTRO-OPTICAL CHARACTERISTICS  $T_A=25^{\circ}\text{C}$   $I_f=20\text{mA}$

PARAMETER	MIN	TYP	MAX	UNITS	TEST COND
PEAK WAVELENGTH		635 (RED)		nm	
FORWARD VOLTAGE		2.1	2.8	$V_f$	
REVERSE VOLTAGE	5.0			$V_r$	$I_f=100\mu\text{A}$
AXIAL INTENSITY		3900		ucd	$I_f=20\text{mA}$
EMITTED COLOR	RED				
EPOXY SEGMENT	MILKY WHITE DIFFUSED				
FONT COLOR	GRAY				

LIMITS OF SAFE OPERATION PER SEGMENT AT  $25^{\circ}\text{C}$

PARAMETER	MAX	UNITS
PEAK FORWARD CURRENT*	150	mA
STEADY CURRENT	30	mA
POWER DISSIPATION	105	mW
DERATE FROM $25^{\circ}\text{C}$	-1.6	$\text{mW}/^{\circ}\text{C}$
OPERATING, STORAGE TEMP	-4D TO +85	$^{\circ}\text{C}$
LEAD SOLDERING TEMP	+260	$^{\circ}\text{C}$
2.0mm FROM BODY		3 SEC. MAX

\*  $t < 10\mu\text{s}$



290 E. HELLEN ROAD  
PALATINE, ILLINOIS 60067  
(847) 359-2790

CONFIDENTIAL INFORMATION  
THE INFORMATION CONTAINED IN THIS DOCUMENT IS THE PROPERTY OF LUMEX OPTO COMPONENTS, INC. EXCEPT AS SPECIFICALLY AUTHORIZED IN WRITING BY LUMEX OPTO COMPONENTS, INC., THE HOLDER OF THIS DOCUMENT SHALL KEEP ALL INFORMATION CONTAINED HEREIN CONFIDENTIAL AND SHALL PROTECT SAME IN WHOLE OR IN PART FROM DISCLOSURE AND DISSEMINATION TO ALL THIRD PARTIES.

DATE: 9-5-95	DWN:	CHK'D:	APPD:
SCALE: N/A			

.56" SINGLE DIGIT, SEVEN SEGMENT DISPLAY,  
635nm, RED

PAGE 1 OF 1	DRAWING NUMBER LDS-C514RI	REV A
-------------	------------------------------	----------

ns/ex