



# ICS87159

## 1-TO-8 LVPECL-TO-HCSL

### ÷1, ÷2, ÷4 CLOCK GENERATOR

## GENERAL DESCRIPTION

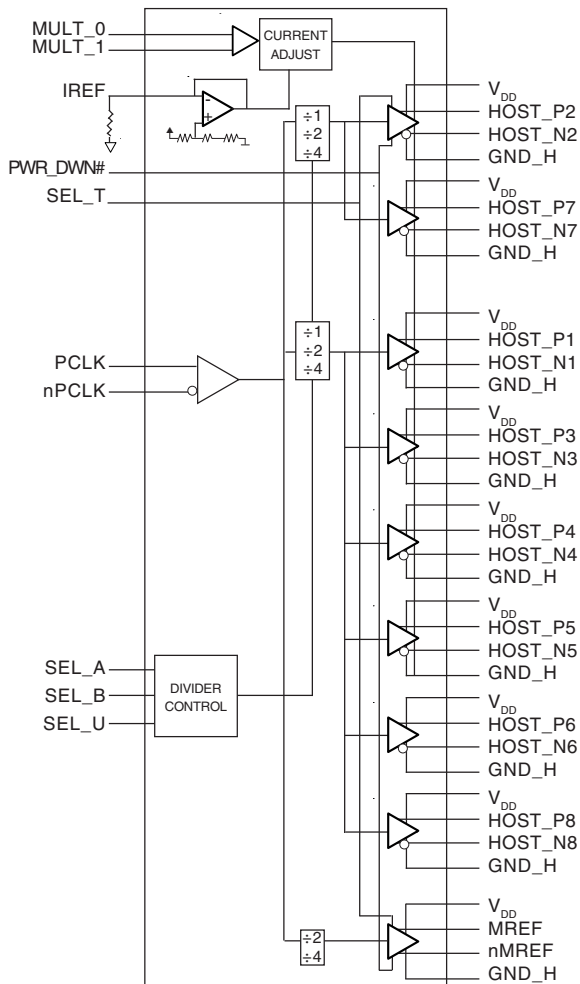
The ICS87159 is a high performance 1-to-8 Differential-to-HCSL/LVCMOS Clock Generator. The ICS87159 has one differential input (which can accept LVDS, LVPECL, LVHSTL, SSTL, HCSL), eight differential HCSL output pairs and two complementary LVCMOS/LVTTL outputs. The eight HCSL output pairs can be configured for divide-by-1, 2, and 4 or high impedance by use of select pins. The two complementary LVCMOS/LVTTL outputs can be configured for divide by 2, divide by 4, high impedance, or driven low for low power operation.

The primary use of the ICS87159 is in \*Intel® E8870 chipsets that use \*Intel® Pentium 4 processors. The ICS87159 converts the differential clock from the main system clock into HCSL clocks used by \*Intel® Pentium 4 processors. However, the ICS87159 is a highly flexible, general purpose device that operates up to 600MHz and can be used in any situation where Differential-to-HCSL translation is required.

## FEATURES

- Eight HCSL outputs
- Two LVCMOS outputs
- LVPECL clock input pair
- PCLK, nPCLK supports the following input types: LVDS, LVPECL, LVHSTL, SSTL, HCSL
- Maximum output frequency: 600MHz
- Output skew: 110ps (maximum)
- Propagation delay: 3.6ns (maximum)
- 3.3V operating supply
- 0°C to 85°C ambient operating temperature
- Industrial temperature information available upon request
- Available in both standard and lead-free RoHS compliant packages

## BLOCK DIAGRAM



## PIN ASSIGNMENT

GND_H	1	56	HOST_P1
VDD_H	2	55	HOST_N1
GND	3	54	VDD
VDD	4	53	GND_H
VDD_R	5	52	VDD_H
PCLK	6	51	HOST_P2
nPCLK	7	50	HOST_N2
GND_R	8	49	GND_H
VDD_M	9	48	HOST_P3
MREF	10	47	HOST_N3
nMREF	11	46	VDD_H
GND_M	12	45	HOST_P4
VDD	13	44	HOST_N4
GND	14	43	GND_H
VDD_L	15	42	HOST_P5
VDD	16	41	HOST_N5
GND_L	17	40	VDD_H
SEL_T	18	39	HOST_P6
MULT_0	19	38	HOST_N6
MULT_1	20	37	GND_H
VDD_L	21	36	HOST_P7
GND_L	22	35	HOST_N7
SEL_A	23	34	VDD_H
SEL_B	24	33	IREF
SEL_U	25	32	GND_I
PWR_DWN#	26	31	VDD_I
VDD_H	27	30	HOST_P8
GND_H	28	29	HOST_N8

**56-Lead TSSOP**  
6.1mm x 14.0mm x .92mm body package  
**G Package**  
Top View



# ICS87159

## 1-TO-8 LVPECL-TO-HCSL

### ÷1, ÷2, ÷4 CLOCK GENERATOR

**TABLE 1. PIN DESCRIPTIONS**

Number	Name	Type		Description
1, 28, 37, 43, 49, 53	GND_H	Power		Power supply ground for the differential HOST clock outputs.
2, 27, 34, 40, 46, 52	V <sub>DD-H</sub>	Power		Positive supply pins for the differential HOST clock outputs.
3, 14	GND	Power		Power supply ground.
4, 13, 16, 54	V <sub>DD</sub>	Power		Positive supply pins.
5	V <sub>DD-R</sub>	Power		Positive supply pin for LVPECL reference clock inputs.
6	PCLK	Input		Non-inverting differential LVPECL clock input.
7	nPCLK	Input		Inverting differential LVPECL clock input.
8	GND_R	Power		Power supply ground for LVPECL inputs.
9	V <sub>DD-M</sub>	Power		Positive supply pin for MREF clock outputs.
10, 11	MREF, nMREF	Output		Single ended clocks provided as a reference clock to a memory clock driver. LVCMOS / LVTTTL clock output.
12	GND_M	Power		Power supply ground for MREF clock outputs.
15	V <sub>DD-L</sub>	Power		Positive supply pin for logic input pins.
17, 22	GND_L	Power		Power supply ground for logic input pins.
18	SEL_T	Input	Pulldown	Active high input tristates all outputs. LVCMOS / LVTTTL interface levels.
19	MULT_0	Input	Pulldown	The logic setting on these two pins selects the multiplying factor of the IREF reference current for the HOST pair outputs. LVCMOS / LVTTTL interface levels.
20	MULT_1	Input	Pullup	The logic setting on these two pins selects the multiplying factor of the IREF reference current for the HOST pair outputs. LVCMOS / LVTTTL interface levels.
21	V <sub>DD-L</sub>	Power		Positive supply pin for logic input pins.
23, 24, 25	SEL_A, _B, _U	Input	Pulldown	Selects desired output frequencies. LVCMOS / LVTTTL interface levels.
26	PWR_DWN#	Input	Pullup	Asynchronous active-low LVTTTL power-down signal forces MREF outputs low, tristates HOST_N outputs, and drives HOST_P output currents to 2xIREF. LVCMOS / LVTTTL interface levels.
29, 30	HOST_N8, HOST_P8	Output		Differential output pairs. HCSL interface levels.
31	V <sub>DD-I</sub>	Power		Positive supply pin for IREF current reference input.
32	GND_I	Power		Power supply ground for IREF current reference input.
33	IREF	Input		A fixed precision resistor from this pin to ground provides a reference current used for differential current-mode HOST clock outputs.
35, 36	HOST_N7, HOST_P7	Output		Differential output pairs. HCSL interface levels.
38, 39	HOST_N6, HOST_P6	Output		Differential output pairs. HCSL interface levels.
41, 42	HOST_N5, HOST_P5	Output		Differential output pairs. HCSL interface levels.
44, 45	HOST_N4, HOST_P4	Output		Differential output pairs. HCSL interface levels.

continued on next page...



# ICS87159

## 1-TO-8 LVPECL-TO-HCSL

### ÷1, ÷2, ÷4 CLOCK GENERATOR

Number	Name	Type	Description
47, 48	HOST_N3, HOST_P3	Output	Differential output pairs. HCSL interface levels.
50, 51	HOST_N2, HOST_P2	Output	Differential output pairs. HCSL interface levels.
55, 56	HOST_N1, HOST_P1	Output	Differential output pairs. HCSL interface levels.

NOTE: Pullup and Pulldown refer to internal input resistors. See Table 2, Pin Characteristics, for typical values.

**TABLE 2. PIN CHARACTERISTICS**

Symbol	Parameter	Test Conditions	Minimum	Typical	Maximum	Units
C <sub>IN</sub>	Input Capacitance			4		pF
R <sub>PULLUP</sub>	Input Pullup Resistor			51		kΩ
R <sub>PULLDOWN</sub>	Input Pulldown Resistor			51		kΩ
R <sub>OUT</sub>	LVC MOS Output Impedance			22		Ω

**TABLE 3A. CONTROL INPUT FUNCTION TABLE**

Inputs					Outputs								
ΠΩP _ΔΩN#	_T	_A	_B	_Y	H_Π2 H_N2	H_Π1 H_N1	H_Π3 H_N3	H_Π4 H_N4	H_Π5 H_N5	H_Π6 H_N6	H_Π8 H_N8	H_Π7 H_N7	MPEΦ_Π MPEΦ_N
1	0	0	0	0	÷ 2	÷ 2	÷ 2	÷ 2	÷ 2	÷ 2	÷ 2	÷ 2	÷ 4
1	0	0	0	1	Hi Z	÷ 2	÷ 2	÷ 2	÷ 2	÷ 2	÷ 2	Hi Z	÷ 4
1	0	0	1	0	÷ 4	÷ 2	÷ 2	÷ 2	÷ 2	÷ 2	÷ 2	÷ 4	÷ 4
1	0	0	1	1	÷ 4	÷ 4	÷ 4	÷ 4	÷ 4	÷ 4	÷ 4	÷ 4	÷ 4
1	0	1	0	0	÷ 1	÷ 1	÷ 1	÷ 1	÷ 1	÷ 1	÷ 1	÷ 1	÷ 4
1	0	1	0	1	Hi Z	÷ 1	÷ 1	÷ 1	÷ 1	÷ 1	÷ 1	Hi Z	÷ 4
1	0	1	1	0	÷ 2	÷ 1	÷ 1	÷ 1	÷ 1	÷ 1	÷ 1	÷ 2	÷ 4
1	0	1	1	1	÷ 2	÷ 2	÷ 2	÷ 2	÷ 2	÷ 2	÷ 2	÷ 2	÷ 2
1	1	X	X	X	Hi Z	Hi Z	Hi Z	Hi Z	Hi Z	Hi Z	Hi Z	Hi Z	Hi Z
0	X	X	X	X	H_P1 = 2xIREF	H_P2 = 2xIREF	H_P3 = 2xIREF	H_P4 = 2 x IREF	H_P5 = 2xIREF	H_P6 = 2xIREF	H_P5 = 2xIREF	H_P1 = 2xIREF	MREF_P = low
					H_N1 = Hi Z	H_N2 = Hi Z	H_N3 = Hi Z	H_N4 = = Hi Z	H_N5 = Hi Z	H_N6 = = Hi Z	H_N5 = = Hi Z	H_N1 = = Hi Z	MREF_N = low

**TABLE 3B. FUNCTION TABLE**

Inputs		Board Target Trace/Term Z	Reference R, IREF = V <sub>DD</sub> /(3*Rr)	Output Current	V <sub>OH</sub> @ 50Ω environment
MULT_0	MULT_1				
0	0	50Ω	Rr = 475 1%, IREF = 2.32mA	IOH = 5*IREF	0.6
0	1	50Ω	Rr = 475 1%, IREF = 2.32mA	IOH = 6*IREF	0.7
1	0	50Ω	Rr = 475 1%, IREF = 2.32mA	IOH = 4*IREF	0.5
1	1	50Ω	Rr = 475 1%, IREF = 2.32mA	IOH = 7*IREF	0.8



# ICS87159

## 1-TO-8 LVPECL-TO-HCSL

### ÷1, ÷2, ÷4 CLOCK GENERATOR

#### ABSOLUTE MAXIMUM RATINGS

Supply Voltage, $V_{DD}$	4.6V
Inputs, $V_I$	-0.5V to $V_{DD} + 0.5V$
Outputs, $V_O$	-0.5V to $V_{DD} + 0.5V$
Package Thermal Impedance, $\theta_{JA}$	58.2°C/W (0 lfpm)
Storage Temperature, $T_{STG}$	-65°C to 150°C

NOTE: Stresses beyond those listed under Absolute Maximum Ratings may cause permanent damage to the device. These ratings are stress specifications only. Functional operation of product at these conditions or any conditions beyond those listed in the *DC Characteristics* or *AC Characteristics* is not implied. Exposure to absolute maximum rating conditions for extended periods may affect product reliability.

**TABLE 4A. POWER SUPPLY DC CHARACTERISTICS,  $V_{DD} = 3.3V \pm 5\%$ ,  $T_A = 0^\circ C$  TO  $85^\circ C$**

Symbol	Parameter	Test Conditions	Minimum	Typical	Maximum	Units
$V_{DD}$	Positive Supply Voltage		3.135	3.3	3.465	V
$I_{DD}$	Operating Supply Current			48		mA

**TABLE 4B. LVCMOS/LVTTL DC CHARACTERISTICS,  $V_{DD} = 3.3V \pm 5\%$ ,  $T_A = 0^\circ C$  TO  $85^\circ C$**

Symbol	Parameter	Test Conditions	Minimum	Typical	Maximum	Units
$V_{IH}$	Input High Voltage		2		$V_{DD} + 0.3$	mV
$V_{IL}$	Input Low Voltage		-0.3		0.8	mV
$I_{IH}$	Input High Current	MULT_1, PWR_DWN#	$V_{DD} = V_{IN} = 3.465V$		5	$\mu A$
		SEL_A, SEL_B, SEL_T, SEL_U, MULT_0	$V_{DD} = V_{IN} = 3.465V$		150	$\mu A$
$I_{IL}$	Input Low Current	MULT_1, PWR_DWN#	$V_{DD} = 3.465V, V_{IN} = 0V$	-150		$\mu A$
		SEL_A, SEL_B, SEL_T, SEL_U, MULT_0	$V_{DD} = 3.465V, V_{IN} = 0V$	-5		$\mu A$
$V_{OH}$	Output High Voltage; NOTE 1		2.6			V
$V_{OL}$	Output Low Voltage; NOTE 1				0.5	V

All parameters measured at 200MHz in, 100MHz out on HOST\_XX and 50MHz out on MREF.

Current adjust set for  $V_{OH} = 0.7V$ . Measurements refer to HOST\_XX outputs only.

NOTE 1: Outputs terminated with  $50\Omega$  to  $V_{DD}/2$ . See Paramter Measurement Information Section, "3.3V Output Load Test Circuit".

**TABLE 4C. LVPECL DC CHARACTERISTICS,  $V_{DD} = 3.3V \pm 5\%$ ,  $T_A = 0^\circ C$  TO  $85^\circ C$**

Symbol	Parameter	Test Conditions	Minimum	Typical	Maximum	Units
$I_{IH}$	Input High Current	PCLK, nPCLK	$V_{DD} = V_{IN} = 3.465V$		5	$\mu A$
$I_{IL}$	Input Low Current	PCLK, nPCLK	$V_{DD} = 3.465V, V_{IN} = 0V$	-5		$\mu A$
$V_{PP}$	Peak-to-Peak Input Voltage		0.15		1.3	V
$V_{CMR}$	Common Mode Input Voltage; NOTE 1, 2		GND + 0.5		$V_{DD} - 0.85$	V

All parameters measured at 200MHz in, 100MHz out on HOST\_XX and 50MHz out on MREF.

Current adjust set for  $V_{OH} = 0.7V$ . Measurements refer to HOST\_XX outputs only.

NOTE 1: Common mode voltage is defined as  $V_{IH}$ .

NOTE 2: For single ended applications, the maximum input voltage for PCLK, nPCLK is  $V_{DD} + 0.3V$ .



# ICS87159

## 1-TO-8 LVPECL-TO-HCSL

### ÷1, ÷2, ÷4 CLOCK GENERATOR

**TABLE 4D. HCSL DC CHARACTERISTICS,  $V_{DD} = 3.3V \pm 5\%$ ,  $T_A = 0^\circ C$  TO  $85^\circ C$**

Symbol	Parameter	Test Conditions	Minimum	Typical	Maximum	Units
$I_{OH}$	Output Current		12.9		14.9	mA
$V_{OH}$	Output High Voltage	$R_{REF} = 475\Omega$ , $R_{LOAD} = 50\Omega$		0.7		V
$V_{OL}$	Output Low Voltage	$R_{REF} = 475\Omega$ , $R_{LOAD} = 50\Omega$		0.03		V
$I_{OZ}$	High Impedance Leakage Current		-10		10	$\mu A$
$V_{OX}$	Output Crossover Voltage		280		430	V

**TABLE 5A. HCSL AC CHARACTERISTICS,  $V_{DD} = 3.3V \pm 5\%$ ,  $T_A = 0^\circ C$  TO  $85^\circ C$**

Symbol	Parameter	Test Conditions	Minimum	Typical	Maximum	Units
$f_{MAX}$	Output Frequency				600	MHz
$t_{PD}$	Propagation Delay; NOTE 1		3.0	3.3	3.6	ns
$t_{sk(o)}$	Output Skew; NOTE 2, 4, 5			65	110	ps
$t_{sk(pp)}$	Part-to-Part Skew; NOTE 3, 5				500	ps
$f_{jit(cc)}$	Cycle-to-Cycle Jitter				150	ps
$t_R / t_F$	Output Rise/Fall Time	20% to 80%	125		800	ps
odc	Output Duty Cycle		48		52	%

All parameters measured at 200MHz in, 100MHz out on HOST\_XX and 50MHz out on MREF.

Current adjust set for  $V_{OH} = 0.7V$ . Measurements refer to HOST\_XX outputs only.

NOTE 1: Measured from the differential input crossing point to the differential output crossing point.

NOTE 2: Defined as skew between outputs at the same supply voltage and with equal load conditions.

Measured at the output differential cross points.

NOTE 3: Defined as skew between outputs on different devices operating at the same supply voltages and with equal load conditions. Using the same type of inputs on each device, the outputs are measured at the differential cross points.

NOTE 4: Maximum value calculated at  $+3\sigma$  from typical.

NOTE 5: This parameter is defined in accordance with JEDEC Standard 65.

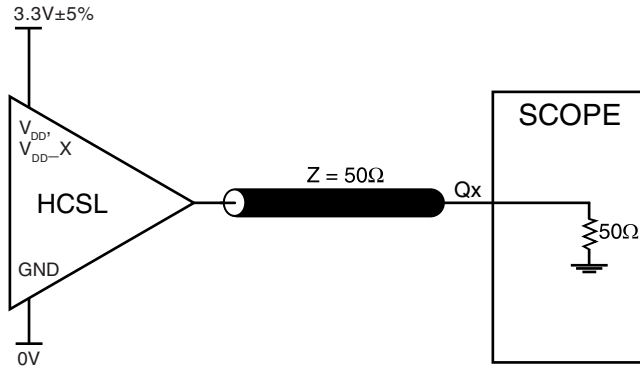
**TABLE 5B. LVCMOS/LVTTL AC CHARACTERISTICS,  $V_{DD} = 3.3V \pm 5\%$ ,  $T_A = 0^\circ C$  TO  $85^\circ C$**

Symbol	Parameter	Test Conditions	Minimum	Typical	Maximum	Units
$f_{MAX}$	Output Frequency				300	MHz
$t_{PD}$	Propagation Delay	Measured at $V_{DD}/2$	2.85	3.35	3.85	ns
$f_{jit(cc)}$	Cycle-to-Cycle Jitter	$C_L = 10pF/30pF$			150	ps
$t_R$	Output Rise Time	0.4V to 2.4V, $C_L = 10pF$	0.4			ns
		0.4V to 2.4V, $C_L = 30pF$			1.8	ns
$t_F$	Output Fall Time	0.4V to 2.4V, $C_L = 10pF$	0.4			ns
		0.4V to 2.4V, $C_L = 30pF$			2	ns
odc	Output Duty Cycle	$C_L = 10pF/30pF$	48		52	%

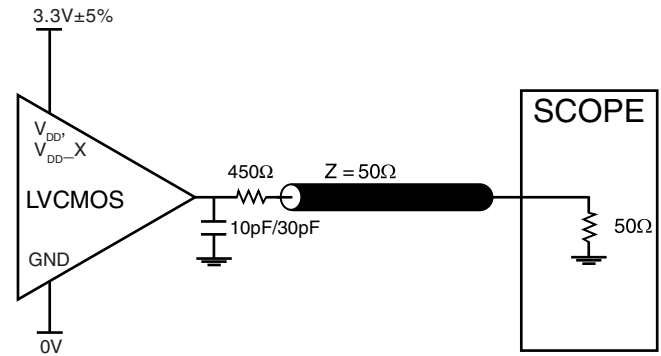
All parameters measured at 200MHz in, 100MHz out on HOST\_XX and 50MHz out on MREF.

Current adjust set for  $V_{OH} = 0.7V$ . Measurements refer to MREF outputs only.

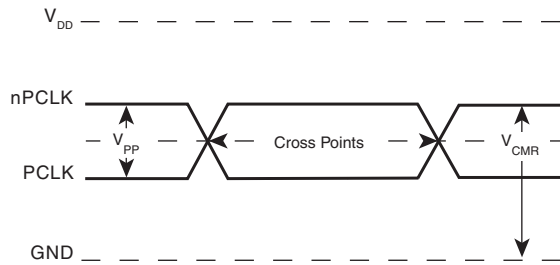
## PARAMETER MEASUREMENT INFORMATION



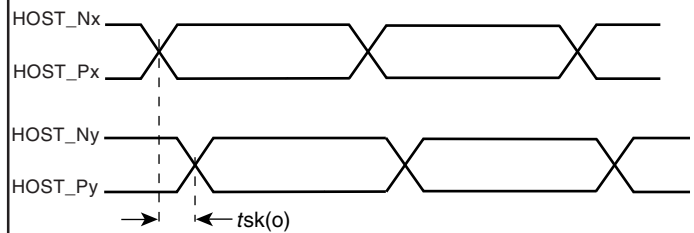
**3.3V HCSL OUTPUT LOAD AC TEST CIRCUIT**



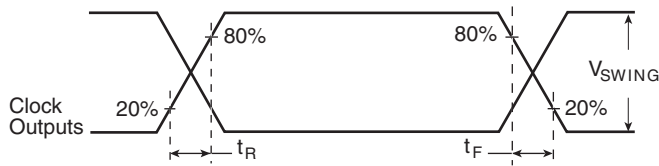
**3.3V LVCMOS OUTPUT LOAD AC TEST CIRCUIT**



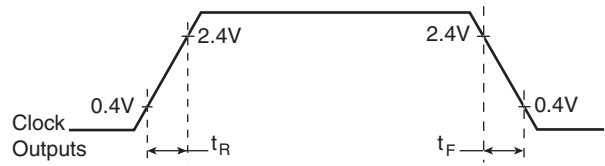
**DIFFERENTIAL INPUT LEVEL**



**OUTPUT SKEW**



**HCSL OUTPUT RISE/FALL TIME**



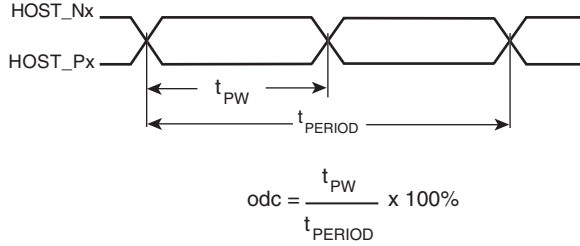
**LVCMOS OUTPUT RISE/FALL TIME**



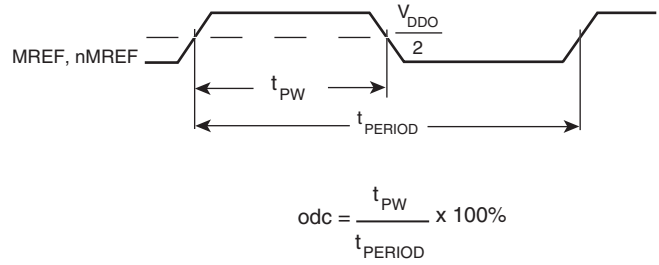
# ICS87159

## 1-TO-8 LVPECL-TO-HCSL

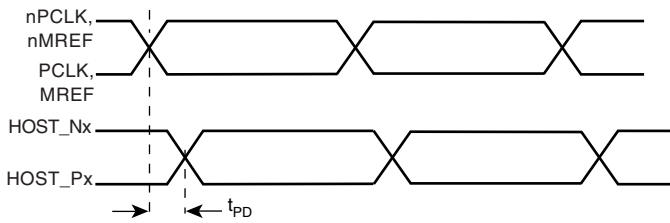
### ÷1, ÷2, ÷4 CLOCK GENERATOR



**HCSL OUTPUT DUTY CYCLE/PULSE WIDTH/PERIOD**



**LVC MOS OUTPUT DUTY CYCLE/PULSE WIDTH/PERIOD**



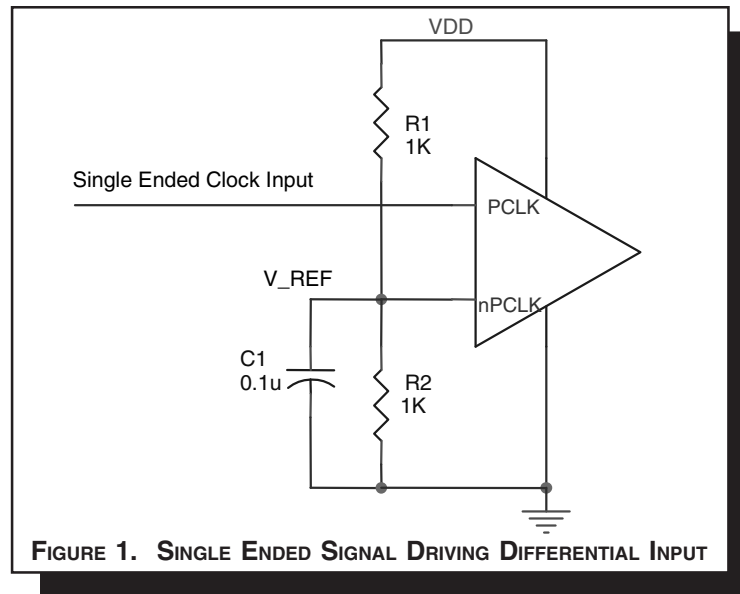
**PROPAGATION DELAY**

## APPLICATION INFORMATION

### WIRING THE DIFFERENTIAL INPUT TO ACCEPT SINGLE ENDED LEVELS

Figure 1 shows how the differential input can be wired to accept single ended levels. The reference voltage  $V_{REF} = V_{DD}/2$  is generated by the bias resistors R1, R2 and C1. This bias circuit should be located as close as possible to the input pin.

The ratio of R1 and R2 might need to be adjusted to position the  $V_{REF}$  in the center of the input voltage swing. For example, if the input clock swing is only 2.5V and  $V_{DD} = 3.3V$ ,  $V_{REF}$  should be 1.25V and  $R2/R1 = 0.609$ .



### RECOMMENDATIONS FOR UNUSED INPUT AND OUTPUT PINS

#### INPUTS:

##### PCLK/nPCLK INPUT:

For applications not requiring the use of a differential input, both the PCLK and nPCLK pins can be left floating. Though not required, but for additional protection, a 1kΩ resistor can be tied from PCLK to ground.

##### LVC MOS CONTROL PINS:

All control pins have internal pull-ups or pull-downs; additional resistance is not required but can be added for additional protection. A 1kΩ resistor can be used.

#### OUTPUTS:

##### LVC MOS OUTPUT:

All unused LVC MOS output can be left floating. We recommend that there is no trace attached.

##### HCSL OUTPUT

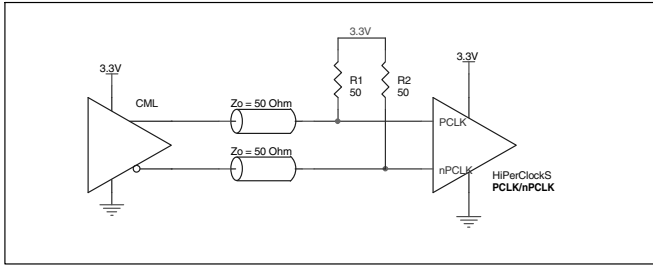
All unused HCSL outputs can be left floating. We recommend that there is no trace attached. Both sides of the differential output pair should either be left floating or terminated.



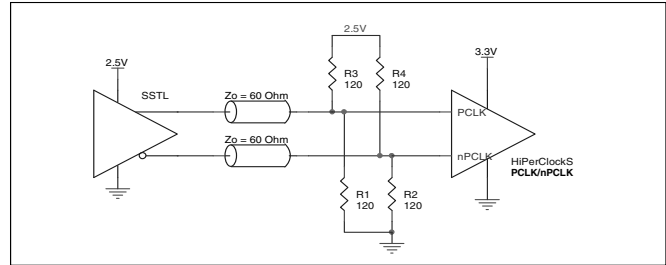
### LVPECL CLOCK INPUT INTERFACE

The PCLK /nPCLK accepts LVPECL, CML, SSTL and other differential signals. Both  $V_{SWING}$  and  $V_{OH}$  must meet the  $V_{PP}$  and  $V_{CMR}$  input requirements. Figures 2A to 2E show interface examples for the PCLK/nPCLK input driven by the most common driver types. The input interfaces suggested here

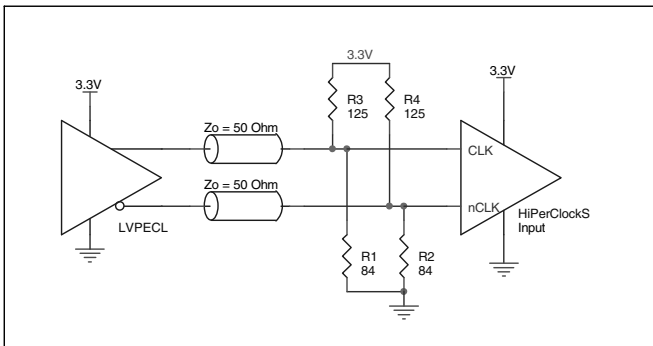
are examples only. If the driver is from another vendor, use their termination recommendation. Please consult with the vendor of the driver component to confirm the driver termination requirements.



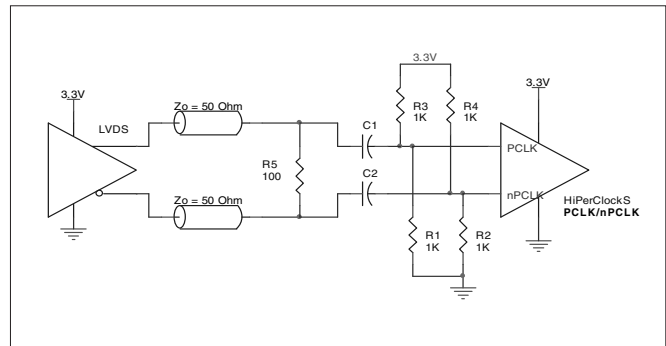
**FIGURE 2A. PCLK/nPCLK INPUT DRIVEN BY A CML DRIVER**



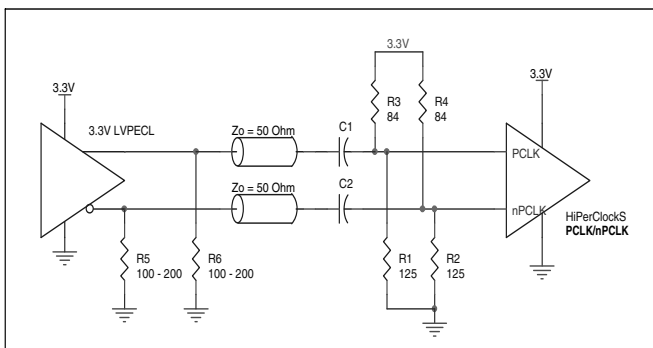
**FIGURE 2B. PCLK/nPCLK INPUT DRIVEN BY AN SSTL DRIVER**



**FIGURE 2C. PCLK/nPCLK INPUT DRIVEN BY A 3.3V LVPECL DRIVER**



**FIGURE 2D. PCLK/nPCLK INPUT DRIVEN BY A 3.3V LVDS DRIVER**



**FIGURE 2E. PCLK/nPCLK INPUT DRIVEN BY A 3.3V LVPECL DRIVER WITH AC COUPLE**

### SCHEMATIC EXAMPLE

Figure 3 shows an example of the ICS87159 LVPECL to HCSL Clock Generator schematic.

In this example, the ICS87159 is configured as follows:

- PWR\_DWN# = 1
- Mult\_[1:0] = 10, Rref = 475Ω, IREF = 2.32mA, I<sub>OH</sub> = 6\*IREF
- SEL\_[A,B,U] = 000, MREF = PECL ÷ 4, all HOST outputs = PECL ÷ 2
- SEL\_T = 0, Output Enable

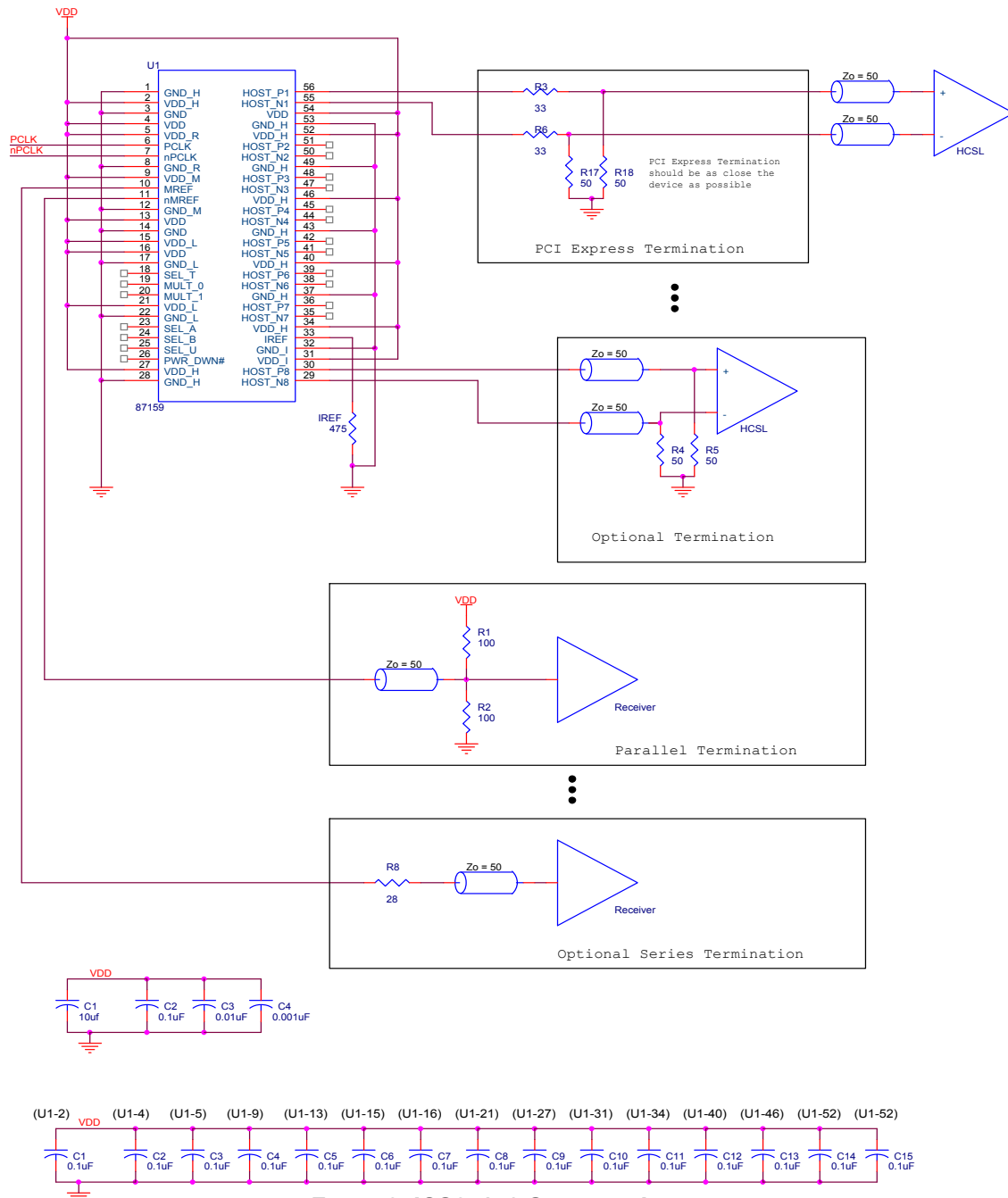


FIGURE 3. ICS87159 SCHEMATIC LAYOUT

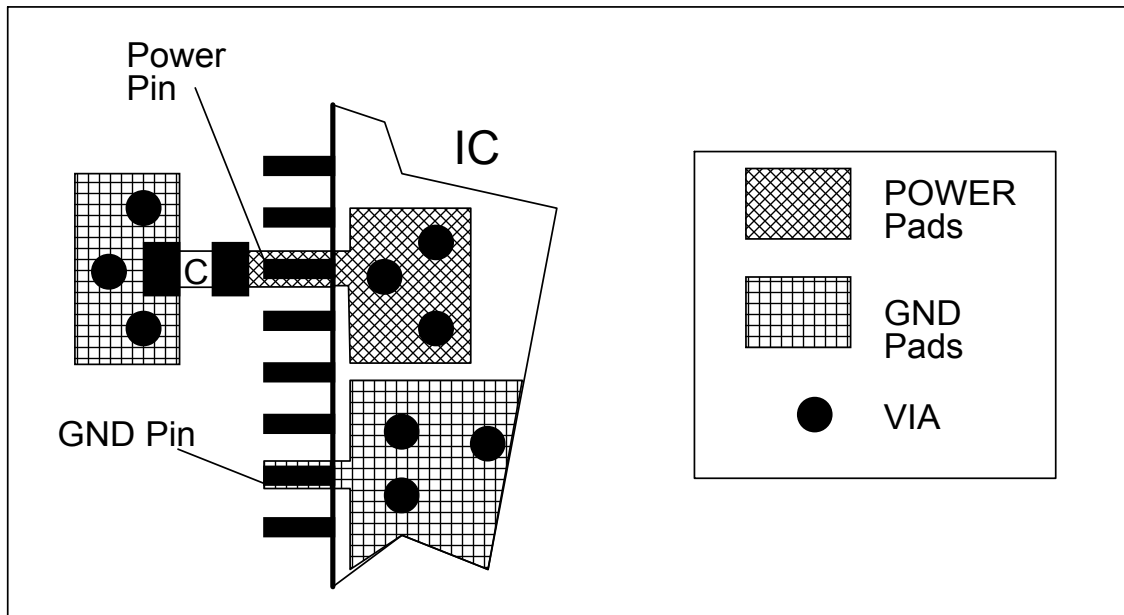
### Power and Ground

This section provides a layout guide related to power, ground and placement of bypass capacitors for a high-speed digital IC. This layout guide is a general recommendation. The actual board design will depend on the component types being used, the board density and cost constraints. The description assumes that the board has clean power and ground planes. The principle is to minimize the ESR between the clean power/ground plane and the IC power/ground pin.

A low ESR bypass capacitor should be used on each power pin. The value of bypass capacitors ranges from 0.01uF to 0.1uF. The bypass capacitors should be located as close

to the power pin as possible. It is preferable to locate the bypass capacitor on the same side as the IC. *Figure 4* shows suggested capacitor placement. Placing the bypass capacitor on the same side as IC allows the capacitor to have direct contact with the IC power pin. This can avoid any vias between the bypass capacitor and the IC power pins.

The vias should be placed at the Power/Ground pads. There should be minimum one via per pin. Increase the number of vias from the Power/Ground pads to Power/Ground planes can improve the conductivity.



**FIGURE 4. RECOMMENDED LAYOUT OF BYPASS CAPACITOR PLACEMENT**

### LOGIC CONTROL INPUT

The logic input control signals are 3.3V LVCMOS compatible. The logic control input contains ESD diodes and either pull-up or pull-down resistor as shown in *Figure 5*. The data sheet provides pull-up or pull-down information for each input pin. Leaving the input floating will set the control logic to default setting.

To set logic high, the input pin connected directly to  $V_{DD}$ . To set logic low, the control input connect directly to ground. For control signal source from the driver that has different power supply, a series current resistor of greater than 100 Ohm is required for random power on sequence.

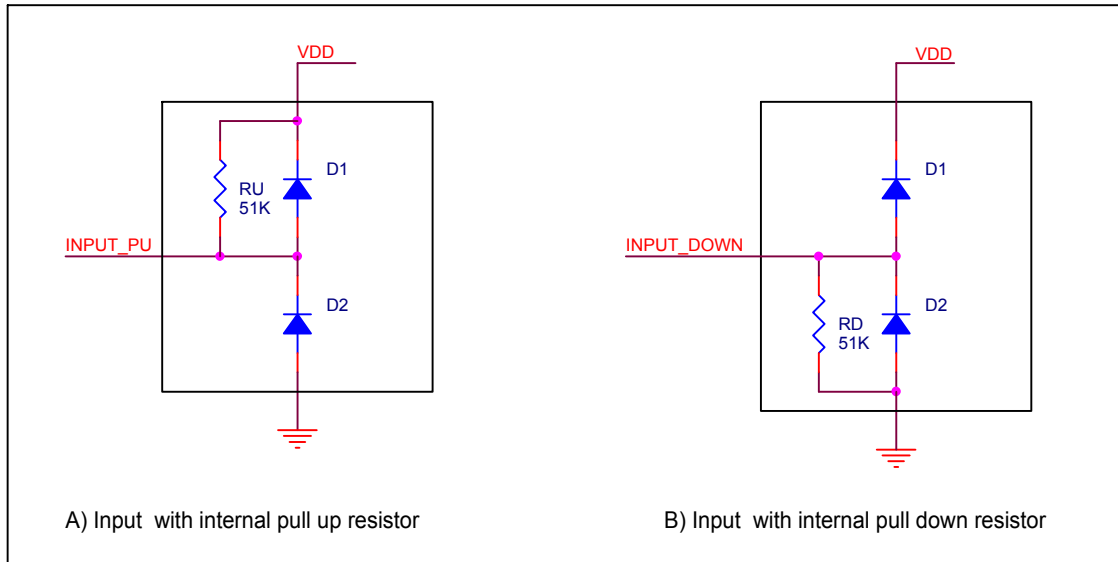


FIGURE 5. LOGIC INPUT CONTROLS

### HCSL DRIVER TERMINATION

The HCSL is a differential constant current source driver. The output current is set by control pins MULT\_[1:0] and the value of resistor Rref.

In the characteristic impedance of 50 Ohm environment, the match load 50 Ohm resistors R4 and R5 are terminated at the receiving end of the transmission line. The 33 Ohm series resistor R6 and R7 should be located as close to the driver pins as possible. For the clock traces that required very low skew should have equal length.

Other general rules of high-speed digital design also should be followed. Some check points are listed as follows:

- Avoid sharp angles on the clock trace. Sharp angle turn causes the characteristic impedance change on the transmission lines.
- Keep the clock trace on same layer. Whenever possible, avoid any vias on the middle clock traces. Any via on middle the trace can affect the trace characteristic impedance and hence degrade signal quality.
- There should be sufficient space between the clock traces that have different frequencies to avoid cross talk.
- No other signal trace is routed between the clock trace pair.
- Transmission line should not be routed across the split plane on the adjacent layer.



## RELIABILITY INFORMATION

TABLE 6.  $\theta_{JA}$  vs. AIR FLOW TABLE FOR 56 LEAD TSSOP

$\theta_{JA}$ by Velocity (Linear Feet per Minute)			
	0	200	500
Single-Layer PCB, JEDEC Standard Test Boards	80.2°C/W	68.5°C/W	62.5°C/W
Multi-Layer PCB, JEDEC Standard Test Boards	58.2°C/W	52.4°C/W	50°C/W

**NOTE:** Most modern PCB designs use multi-layered boards. The data in the second row pertains to most designs.

### TRANSISTOR COUNT

The transistor count for ICS87159 is: 2631

PACKAGE OUTLINE - G SUFFIX FOR 56 LEAD TSSOP

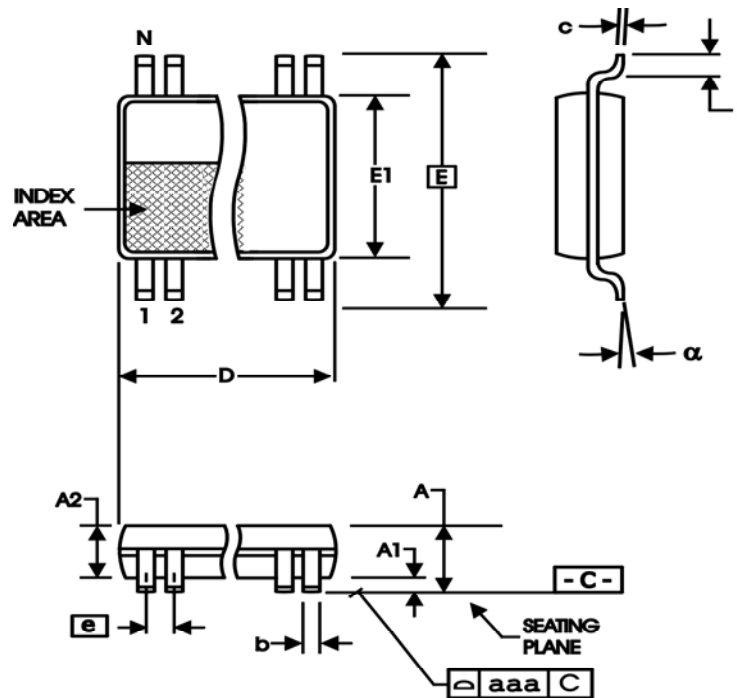


TABLE 7. PACKAGE DIMENSIONS

SYMBOL	Millimeters	
	Minimum	Maximum
N	56	
A	--	1.20
A1	0.05	0.15
A2	0.80	1.05
b	0.17	0.27
c	0.09	0.20
D	13.90	14.10
E	8.10 BASIC	
E1	6.00	6.20
e	0.50 BASIC	
L	0.45	0.75
α	0°	8°
aaa	--	0.10

Reference Document: JEDEC Publication 95, MO-153



**ICS87159**  
1-TO-8 LVPECL-TO-HCSL  
÷1, ÷2, ÷4 CLOCK GENERATOR

**TABLE 8. ORDERING INFORMATION**

Part/Order Number	Marking	Package	Shipping Packaging	Temperature
87159AG	ICS87159AG	56 Lead TSSOP	tube	0°C to 85°C
87159AGT	ICS87159AG	56 Lead TSSOp	1000 tape & reel	0°C to 85°C
87159AGLF	ICS87159AGLF	56 lead "Lead-Free" TSSOP	tube	0°C to 85°C
87159AGLFT	ICS87159AGLF	56 lead "Lead-Free" TSSOP	1000 tape & reel	0°C to 85°C

NOTE: Parts that are ordered with an "LF" suffix to the part number are the Pb-Free configuration and are RoHS compliant.

While the information presented herein has been checked for both accuracy and reliability, Integrated Device Technology, Inc. (IDT) assumes no responsibility for either its use or for infringement of any patents or other rights of third parties, which would result from its use. No other circuits, patents, or licenses are implied. This product is intended for use in normal commercial and industrial applications. Any other applications such as those requiring high reliability, or other extraordinary environmental requirements are not recommended without additional processing by IDT. IDT reserves the right to change any circuitry or specifications without notice. IDT does not authorize or warrant any IDT product for use in life support devices or critical medical instruments.



**ICS87159**  
1-TO-8 LVPECL-TO-HCSL  
÷1, ÷2, ÷4 CLOCK GENERATOR

REVISION HISTORY SHEET				
Rev	Table	Page	Description of Change	Date
A	T8	1	Features Section - added Lead-Free bullet.	3/21/05
		15	Ordering Information Table - added Lead-Free part number and note.	
A		8	Added <i>Recommendations for Unused Input and Output Pins</i> .	1/17/06
B	T8	15	Updated datasheet's header/footer with IDT from ICS.	7/25/10
		17	Removed ICS prefix from Part/Order Number column.	
			Added Contact Page.	





**ICS87159**  
1-TO-8 LVPECL-TO-HCSL  
÷1, ÷2, ÷4 CLOCK GENERATOR

---

**We've Got Your Timing Solution.**



6024 Silver Creek Valley Road  
San Jose, CA 95138

**Sales**  
800-345-7015 (inside USA)  
+408-284-8200 (outside USA)  
Fax: 408-284-2775

**Tech Support**  
netcom@idt.com

© 2010 Integrated Device Technology, Inc. All rights reserved. Product specifications subject to change without notice. IDT, the IDT logo, ICS and HiPerClockS are trademarks of Integrated Device Technology, Inc. Accelerated Thinking is a service mark of Integrated Device Technology, Inc. All other brands, product names and marks are or may be trademarks or registered trademarks used to identify products or services of their respective owners.  
Printed in USA