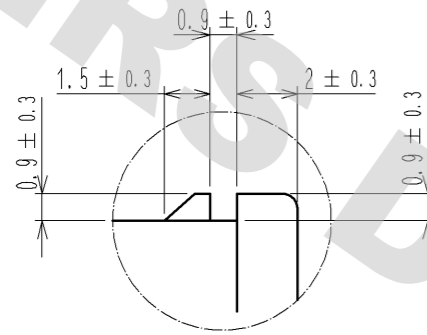
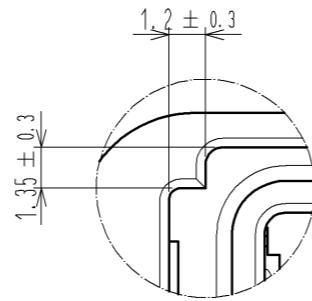


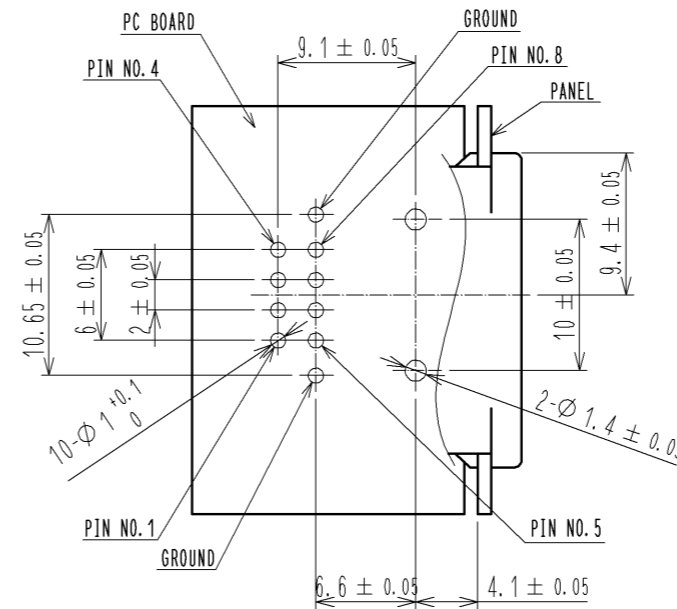
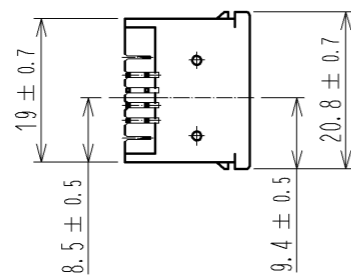
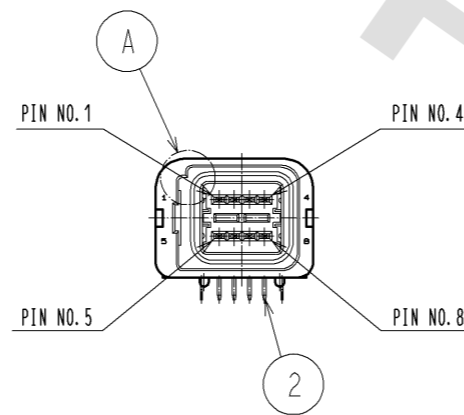
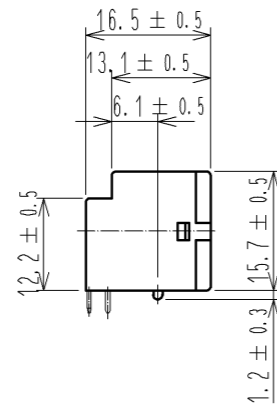
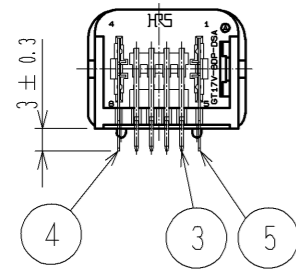
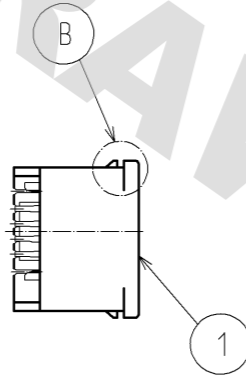
ELV. RoHS COMPLIANT



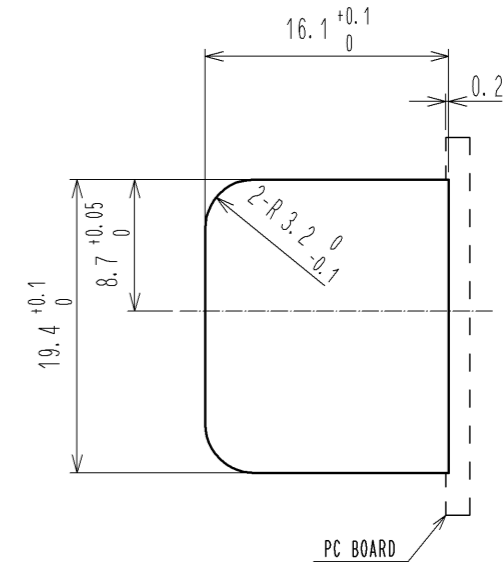
B(4:1)



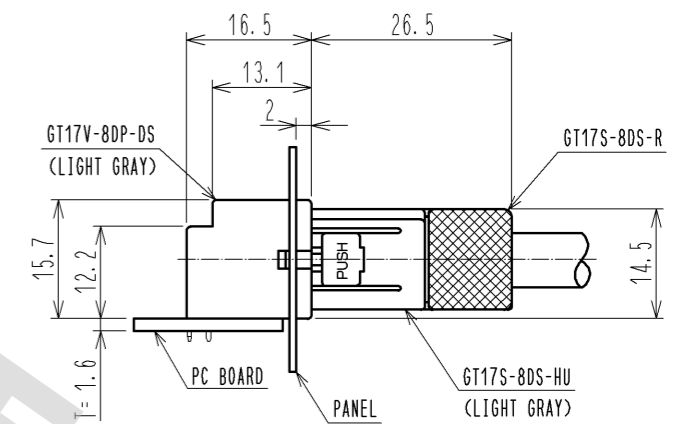
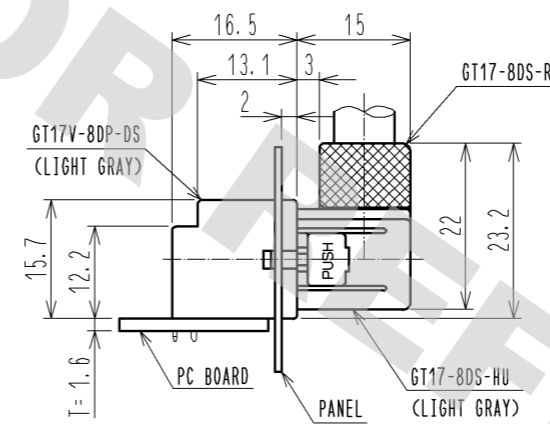
A(4:1)



RECOMMENDED PC BOARD HOLE PATTERN(2:1)



RECOMMENDED PANEL CUTOUT(2:1)



MATED CONNECTOR

3	BRASS	TIN PLATED . T=0.64	5	COPPER ALLOY	TIN PLATED . T=0.25		
2	BRASS	TIN PLATED . T=0.64	4	COPPER ALLOY	TIN PLATED . T=0.25		
1	PBT	LIGHT GRAY					
NO.	MATERIAL	FINISH . REMARKS	NO.	MATERIAL	FINISH . REMARKS		
UNITS mm		SCALE 1 : 1	COUNT 	DESCRIPTION OF REVISIONS	DESIGNED	CHECKED	DATE
<b>HRS</b> HIROSE ELECTRIC CO., LTD.		APPROVED : KS. SATOH	08.06.23	DRAWING NO. EDC3-166725-00			
		CHECKED : NH. NAKATA	08.06.20	PART NO. GT17V-8DP-DS			
		DESIGNED : TS. KUBOTA	08.06.12	CODE NO. CL767-0139-6-00			
		DRAWN : TS. KUBOTA	08.06.12			1/1	

DRAWING FOR REFERENCE: This is subject to change without notice  
08/11/2012