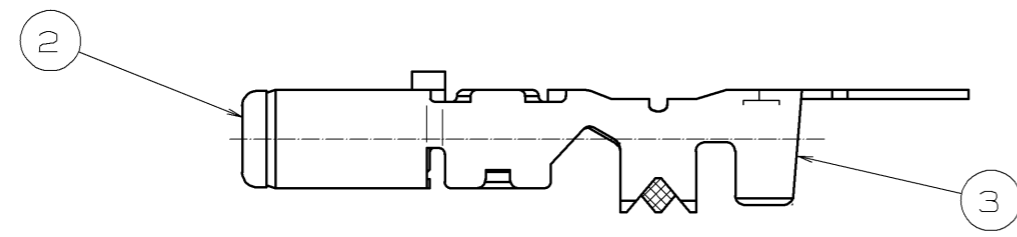
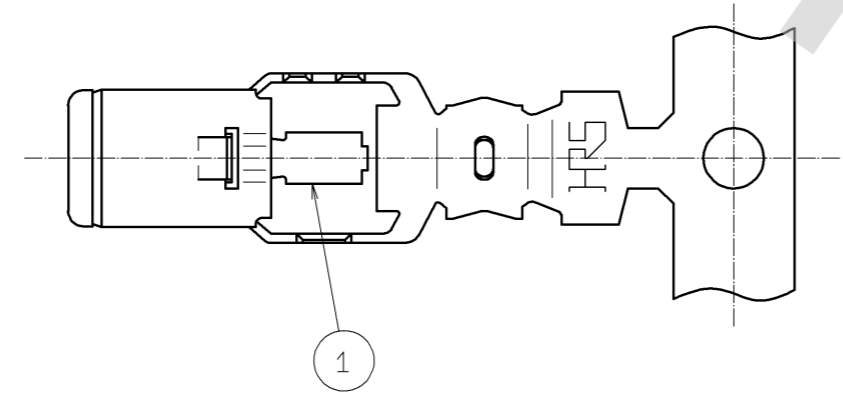
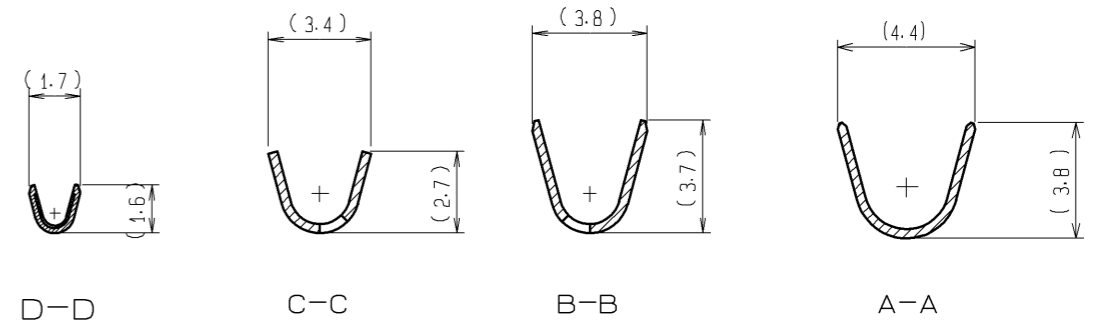
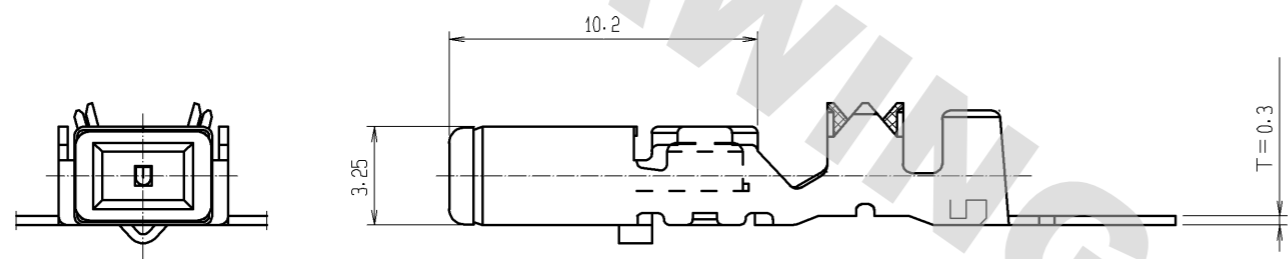
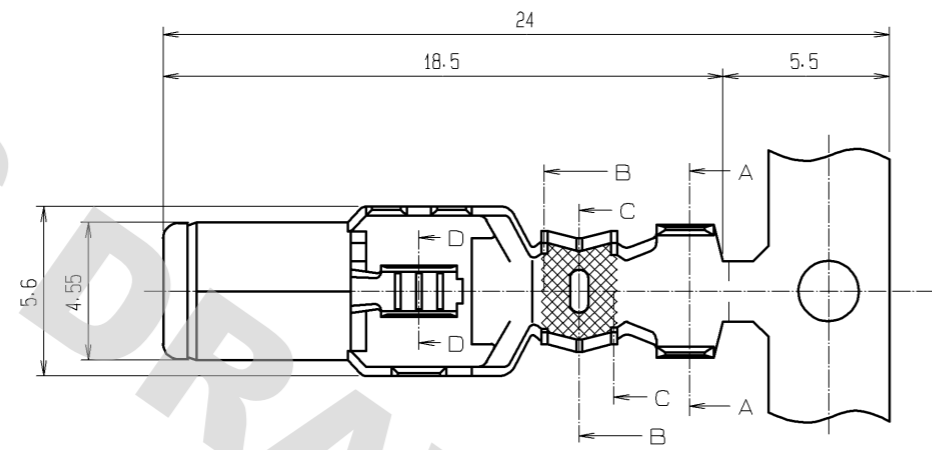


DRAWING FOR REFERENCE: This is subject to change without notice  
08/11/2012

ELV-RoHS COMPLIANT



NOTES  
 1 PER REEL : 4000 CONTACTS  
 2 THIS REEL DIAMETER SHALL BE  $\phi 750$ . AND CRIMPING MACHINE NEEDS ADITONAL PARTS AS CM 105/RS-GT.

1	BRASS	TIN PLATED	3	BRASS	TIN PLATED
2	PBT	DARK GLAY	2	PBT	DARK GLAY
NO.	MATERIAL	FINISH . REMARKS	NO.	MATERIAL	FINISH . REMARKS
UNITS		SCALE	COUNT	DESCRIPTION OF REVISIONS	
mm		4 : 1	$\triangle$	DESIGNED	CHECKED
<b>HRS</b> HIROSE ELECTRIC CO., LTD.		APPROVED : AR. SHIRAI	09. 05. 11	DRAWING NO. EDC3-166156-01	
		CHECKED : MO. OKADA	09. 05. 11	PART NO. GT13-2428/1. 6-2. 5PCF(70)	
		DESIGNED : MH. YAMAGUCHI	09. 05. 11	CODE NO. CL763-0069-7-70	
		DRAWN : YS. OCHI	09. 05. 11	$\triangle$ 1/1	