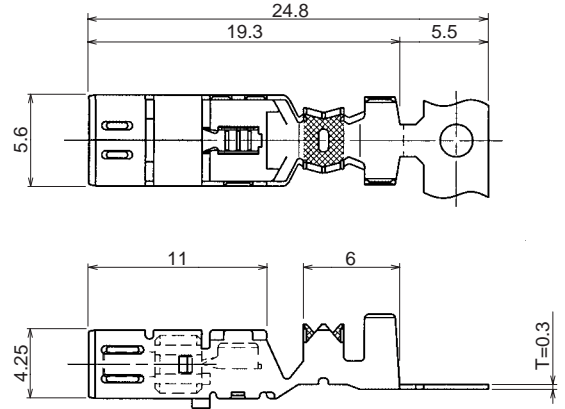
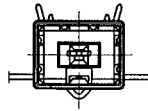
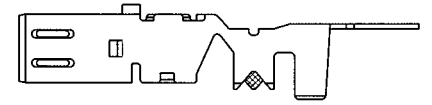
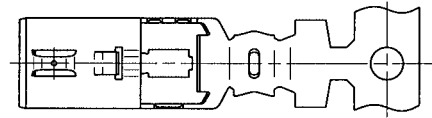


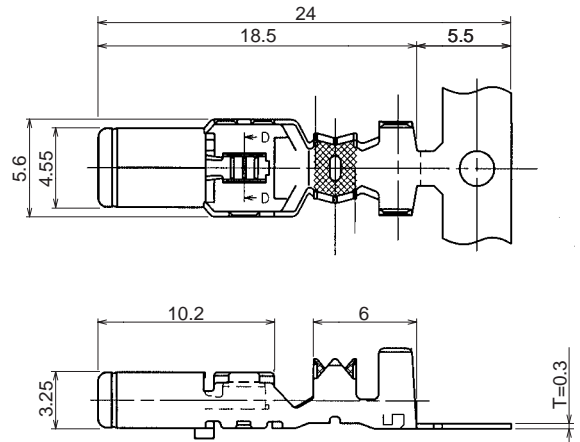
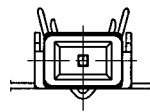
## F Terminals



| Part Number          | HRS No.    | Conductor Size (AWG)        | Inner Insulation Diameter | Outer Diameter | Packaging             |
|----------------------|------------|-----------------------------|---------------------------|----------------|-----------------------|
| GT13-2428/1.6-2.9SCF | 763-0001-3 | AWG #24 to 28 or equivalent | 1.5~2.0                   | 1.6~3.4        | 3,000 pieces per reel |
| GT13-30/1.6-2.9SCF   | 763-0012-0 | AWG #30 or equivalent       |                           | 2.3~2.7        |                       |
| GT13-2428/1.6-2.5SCF | 763-0042-0 | AWG #24 to 28 or equivalent | 3.0~3.6                   | 4.6~5.0        | 2,200 pieces per reel |
| GT13-2428/F4-5SCF    | 763-0051-1 | AWG #24 to 28 or equivalent |                           | 3.0~3.6        |                       |
| GT13-30/F4-5SCF      | 763-0067-1 | AWG #30 or equivalent       | 2.5~2.9                   | 3.6~4.0        |                       |
| GT13-30/F3.3-3.8SCF  | 763-0052-4 | AWG #30 or equivalent       |                           | 2.5~2.9        |                       |



## M Terminals



| Part Number          | HRS No.    | Conductor Size (AWG)        | Inner Insulation Diameter | Outer Diameter | Packaging             |
|----------------------|------------|-----------------------------|---------------------------|----------------|-----------------------|
| GT13-2428/1.6-2.9PCF | 763-0002-6 | AWG #24 to 28 or equivalent | 1.5~2.0                   | 1.6~3.4        | 4,000 pieces per reel |
| GT13-30/1.6-2.9PCF   | 763-0041-8 | AWG #30 or equivalent       |                           | 2.3~2.7        |                       |
| GT13-2428/1.6-2.5PCF | 763-0069-7 | AWG #24 to 28 or equivalent | 3.0~3.6                   | 4.6~5.0        | 2,200 pieces per reel |
| GT13-2428/F4-5PCF    | 763-0054-0 | AWG #24 to 28 or equivalent |                           | 3.0~3.6        |                       |
| GT13-30/F4-5PCF      | 763-0066-9 | AWG #30 or equivalent       | 2.5~2.9                   | 3.6~4.0        |                       |
| GT13-30/F3.3-3.8PCF  | 763-0053-7 | AWG #30 or equivalent       |                           | 2.5~2.9        |                       |

