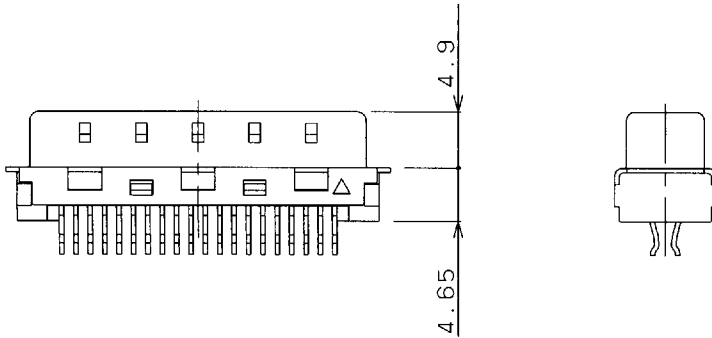
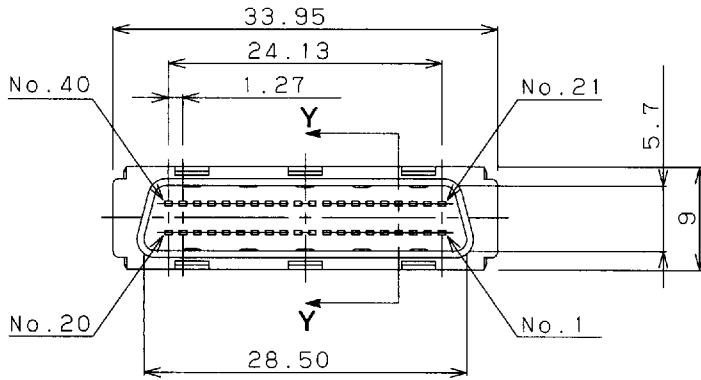
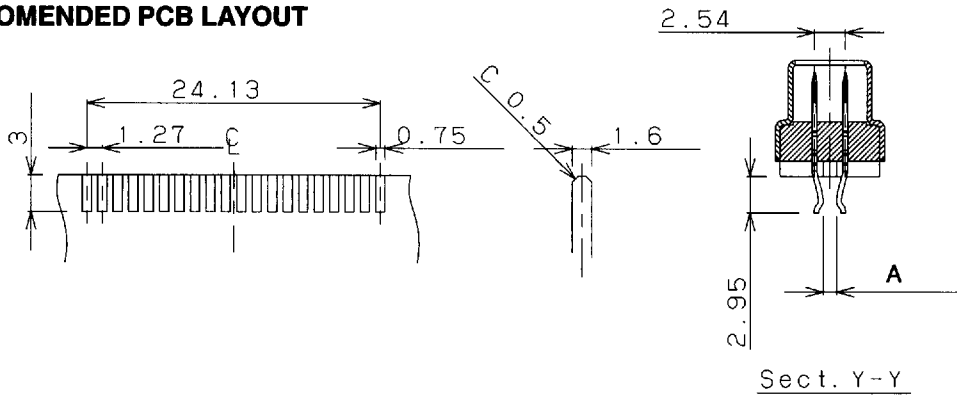


FCN-238P040-G/* STRADDLE MOUNT PLUG MII/100 base T

DIMENSIONS



RECOMENDED PCB LAYOUT



FCN-238P040-G/F (A=1.1±0.3)

Unit: mm (in.)

2

FCN-234D/235D***-G/*, 237R***-G/*

FCN-230R Series SCSI II,III,IPI Connectors

FEATURES

- Mating contacts have 1.27 mm (0.050 in.) pitch configuration, enabling high density mounting and interface
- Conforms to the SCSI-II, SCSI-III specification approved by ANSI (50 and 68 positions)
- Conforms to MII/100baseT interface specification (40 position)
- Conforms to RS-232 Alt (26 position)
- Conforms to the IPI (Intelligent Peripheral Interface) and HSC (High Speed Channel) recommended by ANSI (50,100 pin)
- Discrete wire (AWG#28, #30) I/O cable can be assembled by IDC
- Terminals are arranged in a staggered configuration (1.27 mm × 1.905 mm (0.050 in. × 0.075 in.))

SPECIFICATIONS

Operating Temperature Range	-55 to +105°C
Maximum Allowable Current	1 ADC
Maximum Allowable Voltage	240 VAC
Contact Resistance	30 mΩ max at 6 VDC, 0.1 A
Insulation Resistance	1000 MΩ min at 500 VAC
Dielectric Strength	750 VAC for 1 minute
Applicable Wire	AWG #28 OR #30 (wire diameter: Ø0.5 to Ø0.65 mm (0.020 to 0.026) or Ø0.8 to Ø0.88 (0.03 to 0.035 in.))

MATERIALS

Insulator	Polimide Resin (UL94V-0)
Conductor	Copper alloy
Contact Plating	Gold over palladium over nickel (PAGOS)

