

# Rotary Encoder

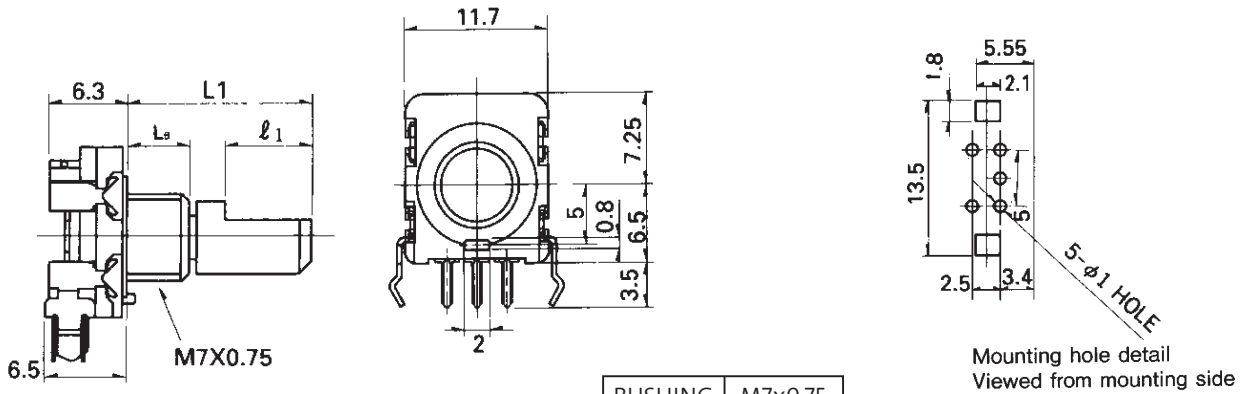


| Order Number | Size (mm) | Number of Pulses | Detents | Details         | Shaft length (mm) | Shaft Style | Attachment            | Rest of Specification |
|--------------|-----------|------------------|---------|-----------------|-------------------|-------------|-----------------------|-----------------------|
| STEC11B01    | 11 mm     | 15               | 30      | Horizontal Type | 25 mm             | Slotted     | Push-On Switch 0,5 mm | Standard              |
| STEC11B02    | 11 mm     | 15               | 30      | Horizontal Type | 25 mm             | Slotted     | No                    | Standard              |
| STEC11B03    | 11 mm     | 15               | 30      | Vertical Type   | 25 mm             | Slotted     | Push-On Switch 0,5 mm | Standard              |
| STEC11B04    | 11 mm     | 15               | 30      | Vertical Type   | 25 mm             | Slotted     | No                    | Standard              |
| STEC11B05    | 11 mm     | 15               | 30      | Horizontal Type | 20 mm             | Flat        | Push-On Switch 0,5 mm | Standard              |
| STEC11B06    | 11 mm     | 15               | 30      | Horizontal Type | 20 mm             | Flat        | No                    | Standard              |
| STEC11B07    | 11 mm     | 15               | 30      | Vertical Type   | 20 mm             | Flat        | Push-On Switch 0,5 mm | Standard              |
| STEC11B08    | 11 mm     | 15               | 30      | Vertical Type   | 20 mm             | Flat        | No                    | Standard              |
| STEC11B09    | 11 mm     | 20               | 20      | Horizontal Type | 20 mm             | Flat        | Push-On Switch 0,5 mm | Standard              |
| STEC11B10    | 11 mm     | 20               | 20      | Horizontal Type | 20 mm             | Flat        | No                    | Standard              |
| STEC11B13    | 11 mm     | 20               | 20      | Vertical Type   | 20 mm             | Flat        | Push-On Switch 0,5 mm | Standard              |
| STEC11B12    | 11 mm     | 20               | 20      | Vertical Type   | 20 mm             | Flat        | No                    | Standard              |

Standard Specifications:  
 Ratings: 10mA 5 VDC  
 max. Operating Current: 10mA  
 Insulation Resistance: 300V DC 10 MΩ min.  
 Withstand Voltage 300V AC  
 Life cycles 15.000 cycles

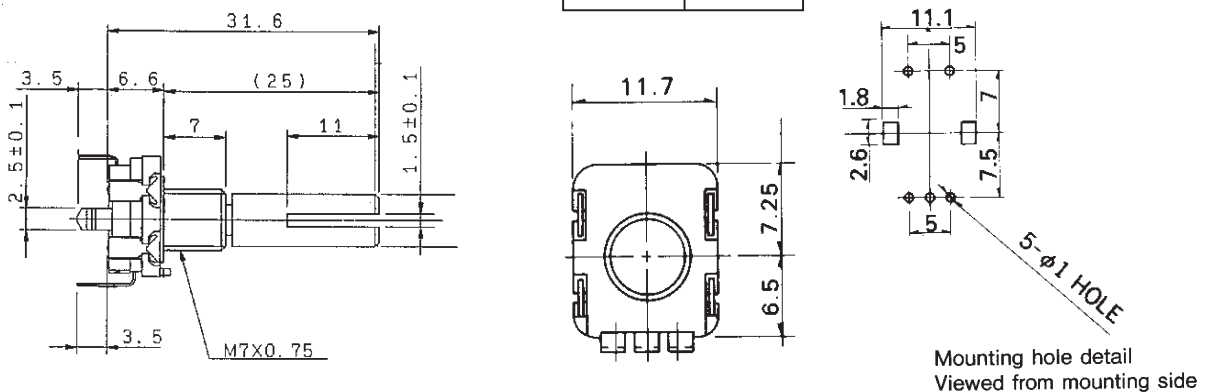
Number of Shafts: 1  
 Terminals: Printed Wiring  
 Attachment: No

## EC11B Horizontal



| BUSHING | M7x0.75 |
|---------|---------|
| H       | 6.6     |
| LB      | 7       |

## EC11B Vertical



Unit: (mm)