

DAC0854

DAC0854 Quad 8-Bit Voltage-Output Serial D/A Converter with Readback



Literature Number: SNAS078A

DAC0854 Quad 8-Bit Voltage-Output Serial D/A Converter with Readback

General Description

The DAC0854 is a complete quad 8-bit voltage-output digital-to-analog converter that can operate on a single 5V supply. It includes on-chip output amplifiers, internal voltage reference, and a serial microprocessor interface. By combining in one package the reference, amplifiers, and conversion circuitry for four D/A converters, the DAC0854 minimizes wiring and parts count and is hence ideally suited for applications where cost and board space are of prime concern.

The DAC0854 also has a data readback function, which can be used by the microprocessor to verify that the desired input word has been properly latched into the DAC0854's data registers. The data readback function simplifies the design and reduces the cost of systems which need to verify data integrity.

The logic comprises a MICROWIRE™-compatible serial interface and control circuitry. The interface allows the user to write to any one of the input registers or to all four at once. The latching registers are double-buffered, consisting of 4 separate input registers and 4 DAC registers. Double buffering allows all 4 DAC outputs to be updated simultaneously. The four reference inputs allow the user to configure the system to have a separate output voltage range for each DAC. The output voltage of each DAC can range between 0.3V and 2.8V and is a function of V_{BIAS} , V_{REF} , and the input word.

Features

- Single +5V supply operation
- MICROWIRE serial interface allows easy interface to many popular microcontrollers including the COPST™ and HPC™ families of microcontrollers
- Data readback capability
- Output data can be formatted to read back MSB or LSB first
- Versatile logic allows selective or global update of the DACs
- Power fail flag
- Output amplifiers can drive 2 k Ω load
- Synchronous/asynchronous update of the DAC outputs

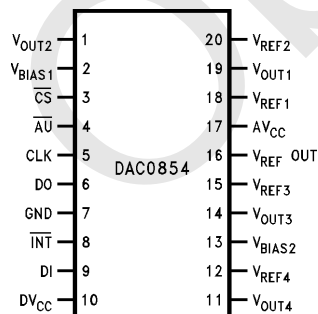
Key Specifications

- Guaranteed monotonic over temperature
- Integral linearity error $\pm 1/2$ LSB max
- Output settling time 2.7 μ s max
- Analog output voltage range 0.3V to 2.8V
- Supply voltage range 4.5V to 5.5V
- Clock frequency 10 MHz max
- Power dissipation ($f_{CLK} = 10$ MHz) 95 mW max
- On-board reference 2.65V $\pm 2\%$ max

Applications

- Automatic test equipment
- Industrial process controls
- Automotive controls and diagnostics
- Instrumentation

Connection Diagram



Top View

TL/H/11261-1

Ordering Information

Industrial ($-40^{\circ}\text{C} < T_A < 85^{\circ}\text{C}$)	Package
DAC0854BIN, DAC0854CIN	N20A Molded DIP
DAC0854CIJ	J20A Ceramic DIP
DAC0854BIWM, DAC0854CIWM	M20B Small Outline
Military ($-55^{\circ}\text{C} < T_A < +125^{\circ}\text{C}$)	
DAC0854CMJ/883	J20A Ceramic DIP

COPST™, HPC™ and MICROWIRE™ are trademarks of National Semiconductor Corporation.

Absolute Maximum Ratings (Notes 1 & 2)

If Military/Aerospace specified devices are required, please contact the National Semiconductor Sales Office/Distributors for availability and specifications.

(Note 24)

Supply Voltage (AV _{CC} , DV _{CC})	7V
Supply Voltage Difference (AV _{CC} -DV _{CC})	± 5.5V
Voltage at Any Pin (Note 3)	GND -0.3V to AV _{CC} /DV _{CC} + 0.3V
Input Current at Any Pin (Note 3)	5 mA
Package Input Current (Note 4)	20 mA
Power Dissipation (Note 5)	105 mW
ESD Susceptibility (Note 6)	1250V

Soldering Information	
J Package (10 sec.)	300°C
N Package (10 sec.)	260°C
SO Package	
Vapor Phase (60 sec.)	215°C
Infrared (15 sec.) (Note 7)	220°C
Storage Temperature	-65°C to +150°C

Operating Ratings (Notes 1 & 2)

Supply Voltage	4.5V to 5.5V
Supply Voltage Difference (AV _{CC} - DV _{CC})	± IV
Temperature Range	T _{MIN} < T _A < T _{MAX}
DAC0854BIN, DAC0854CIN,	-40°C < T _A < 85°C
DAC0854CIJ, DAC0854BIWM,	-55°C < T _A < 125°C
DAC0854CIWM	
DAC0854CMJ/883	

Converter Electrical Characteristics

The following specifications apply for AV_{CC} = DV_{CC} = 5V, V_{REF} = 2.65V, V_{BIAS} = 1.4V, R_L = 2 kΩ (R_L is the load resistor on the analog outputs – pins 1, 11, 14, and 19) and f_{CLK} = 10 MHz unless otherwise specified. **Boldface limits apply for T_A = T_J from T_{MIN} to T_{MAX}.** All other limits apply for T_A = 25°C.

Symbol	Parameter	Conditions	Typical (Note 8)	Limit (Note 9)	Units (Limits)
STATIC CHARACTERISTICS					
n	Resolution	f _{CLK} = 10 MHz	8	8	bits
	Monotonicity	(Note 10)	8	8	bits
	Integral Linearity Error DAC0854BIN, DAC0854BIWM DAC0854CIN, DAC0854CIJ, DAC0854CIWM, DAC0854CMJ	(Note 11)		± 0.5	LSB (max)
	Differential Linearity Error			± 1.0	LSB (max)
	Fullscale Error	(Note 12)		± 35	mV
	Fullscale Error Tempco	(Note 13)	-30		ppm/°C
	Zero Error	(Note 14)		± 35	mV
	Zero Error Tempco	(Note 13)	-30		ppm/°C
	Power Supply Sensitivity	(Note 15)	-42	-34	dB (max)
DYNAMIC CHARACTERISTICS					
t _{s+}	Positive Voltage Output Settling Time	(Note 16) C _L = 200 pF	1.5	2.1	μs
t _{s-}	Negative Voltage Output Settling Time	(Note 16) C _L = 200 pF	1.8	2.7	μs
	Digital Crosstalk	(Note 17)	1.8		mV _{p-p}
	Digital Feedthrough	(Note 18)	8.5		mV _{p-p}
	Clock Feedthrough	(Note 19)	3.3		mV _{p-p}
	Channel-to-Channel Isolation	(Note 20)	-78		dB
	Glitch Energy	(Note 21)	7		nV-s
	Peak Value of Largest Glitch		38		mV
PSRR	Power Supply Rejection Ratio	(Note 22)	-49		dB

Converter Electrical Characteristics (Continued)

The following specifications apply for $V_{CC} = DV_{CC} = 5V$, $V_{REF} = 2.65V$, $V_{BIAS} = 1.4V$, $R_L = 2\text{ k}\Omega$ (R_L is the load resistor on the analog outputs – pins 1, 11, 14, and 19) and $f_{CLK} = 10\text{ MHz}$ unless otherwise specified. **Boldface limits apply for $T_A = T_J$ from T_{MIN} to T_{MAX} .** All other limits apply for $T_A = 25^\circ\text{C}$.

Symbol	Parameter	Conditions	Typical (Note 3)	Limit (Note 4)	Units (Limits)
DIGITAL AND DC ELECTRICAL CHARACTERISTICS					
$V_{IN(1)}$	Logical "1" Input Voltage	$AV_{CC} = DV_{CC} = 5.5V$		2.0	V (min)
$V_{IN(0)}$	Logical "0" Input Voltage	$AV_{CC} = DV_{CC} = 4.5V$		0.8	V (max)
I_{IL}	Digital Input Leakage Current		1	5	μA (max)
C_{IN}	Input Capacitance		4		pF
C_{OUT}	Output Capacitance		5		pF
$V_{OUT(1)}$	Logical "1" Output Voltage	$I_{SOURCE} = 0.8\text{ mA}$		2.4	V (min)
$V_{OUT(0)}$	Logical "0" Output Voltage	$I_{SINK} = 3.2\text{ mA}$		0.4	V (max)
V_{INT}	Interrupt Pin Output Voltage	10 k Ω Pullup		0.4	V (max)
I_S	Supply Current	Outputs Unloaded	14	19	mA
REFERENCE INPUT CHARACTERISTICS					
V_{REF}	Input Voltage Range		0–2.75		V
R_{REF}	Input Resistance		7	4 10	k Ω (min) k Ω (max)
C_{REF}	Input Capacitance	Full-Scale Data Input	40		pF
VBIAS INPUT CHARACTERISTICS					
V_{BIAS}	V_{BIAS} Input Voltage Range		0.3–1.4		V
	Input Leakage		1		μA
C_{BIAS}	Input Capacitance		9		pF
BANDGAP REFERENCE CHARACTERISTICS ($C_L = 220\mu\text{F}$)					
V_{REFOUT}	Output Voltage			2.65 \pm 2%	V
$\Delta V_{REF}/\Delta T$	Tempco	(Note 23)	22		ppm/ $^\circ\text{C}$
	Line Regulation	$4.5V < V_{CC} < 5.5V$, $I_L = 4\text{ mA}$	2	5	mV
$\Delta V_{REF}/\Delta I_L$	Load Regulation	$0 < I_L < 4\text{ mA}$	2	6	mV
		$0 < I_L < 4\text{ mA}$; CMJ Suffix	2	15	mV
		$-1 < I_L < 0\text{ mA}$	2.5		mV
I_{SC}	Short Circuit Current	$V_{REFOUT} = 0V$	12		mA
AC ELECTRICAL CHARACTERISTICS					
t_{DS}	Data Setup Time			10	ns (min)
t_{DH}	Data Hold Time			0	ns (min)
t_{CS}	Control Setup Time			15	ns (min)
t_{CH}	Control Hold Time			0	ns (min)
f_{MIN}	Clock Frequency			10	MHz (max)
t_H	Minimum Clock High Time			20	ns (min)
t_L	Minimum Clock Low Time			40	ns (min)

Converter Electrical Characteristics (Continued)

The following specifications apply for $AV_{CC} = DV_{CC} = 5V$, $V_{REF} = 2.65V$, $V_{BIAS} = 1.4V$, $R_L = 2\text{ k}\Omega$ (R_L is the load resistor on the analog outputs – pins 1, 11, 14, and 19) and $f_{CLK} = 10\text{ MHz}$ unless otherwise specified. **Boldface limits apply for T_J from T_{MIN} to T_{MAX} .** All other limits apply for $T_A = 25^\circ\text{C}$.

Symbol	Parameter	Conditions	Typical (Note 3)	Limit (Note 4)	Units (Limits)
AC ELECTRICAL CHARACTERISTICS (Continued)					
t_{CZ1}	Output Hi-Z to Valid 1			37	ns (max)
t_{CZ0}	Output Hi-Z to Valid 0			42	ns (max)
t_{1H}	\overline{CS} to Output Hi-Z	10 k Ω with 60 pF		130	ns (max)
t_{0H}	\overline{CS} to Output Hi-Z	10 k Ω with 60 pF		117	ns (max)

Note 1: Absolute Maximum Ratings indicate limits beyond which damage to the device may occur. Operating Ratings indicate conditions for which the device is functional. These ratings do not guarantee specific performance limits, however. For guaranteed specifications and test conditions, see the Converter Electrical Characteristics. The guaranteed specifications apply only for the test conditions listed. Some performance characteristics may degrade when the device is not operated under the listed test conditions.

Note 2: All voltages are measured with respect to ground, unless otherwise specified.

Note 3: When the input voltage (V_{IN}) at any pin exceeds the power supply rails ($V_{IN} < \text{GND}$ or $V_{IN} > V^+$) the absolute value of current at that pin should be limited to 5 mA or less.

Note 4: The sum of the currents at all pins that are driven beyond the power supply voltages should not exceed 20 mA.

Note 5: The maximum power dissipation must be derated at elevated temperatures and is dictated by T_{Jmax} (maximum junction temperature), Θ_{JA} (package junction to ambient thermal resistance), and T_A (ambient temperature). The maximum allowable power dissipation at any temperature is $P_{Dmax} = (T_{Jmax} - T_A)/\Theta_{JA}$ or the number given in the Absolute Maximum Ratings, whichever is lower. The table below details T_{Jmax} and Θ_{JA} for the various packages and versions of the DAC0854.

Part Number	T_{Jmax} ($^\circ\text{C}$)	Θ_{JA} ($^\circ\text{C}/\text{W}$)
DAC0854BIN, DAC0854CIN	125	46
DAC0854BIJ, DAC0854CIJ	125	53
DAC0854BIWM, DAC0854CIWM	125	64
DAC0854CMJ/883	150	53

Note 6: Human body model, 100 pF discharged through a 1.5 k Ω resistor.

Note 7: See AN450 "Surface Mounting Methods and Their Effect on Production Reliability" of the section titled "Surface Mount" found in any current Linear Databook for other methods of soldering surface mount devices.

Note 8: Typicals are at $T_J = 25^\circ\text{C}$ and represent most likely parametric norm.

Note 9: Limits are guaranteed to National's AOQL (Average Outgoing Quality Level).

Note 10: A monotonicity of 8 bits for the DAC0854 means that the output voltage changes in the same direction (or remains constant) for each increase in the input code.

Note 11: Integral linearity error is the maximum deviation of the output from the line drawn between zero and full-scale (excluding the effects of zero error and full-scale error).

Note 12: Full-scale error is measured as the deviation from the ideal 2.800V full-scale output when $V_{REF} = 2.650V$ and $V_{BIAS} = 1.400V$.

Note 13: Full-scale error tempco and zero error tempco are defined by the following equation:

$$\text{Error tempco} = \left[\frac{\text{Error}(T_{MAX}) - \text{Error}(T_{MIN})}{V_{SPAN}} \right] \left[\frac{10^6}{T_{MAX} - T_{MIN}} \right]$$

where $\text{Error}(T_{MAX})$ is the zero error or full-scale error at T_{MAX} (in volts), and $\text{Error}(T_{MIN})$ is the zero error or full-scale error at T_{MIN} (in volts); V_{SPAN} is the output voltage span of the DAC0854, which depends on V_{BIAS} and V_{REF} .

Note 14: Zero error is measured as the deviation from the ideal 0.310V output when $V_{REF} = 2.650V$, $V_{BIAS} = 1.400V$, and the digital input word is all zeros.

Note 15: Power Supply Sensitivity is the maximum change in the offset error or the full-scale error when the power supply differs from its optimum 5V by up to 0.25V (5%). The load resistor $R_L = 5\text{ k}\Omega$.

Note 16: Positive or negative settling time is defined as the time taken for the output of the DAC to settle to its final full-scale or zero output to within $\pm 0.5\text{ LSB}$. This time shall be referenced to the 50% point of the positive edge of \overline{CS} , which initiates the update of the analog outputs.

Note 17: Digital crosstalk is the glitch measured on the output of one DAC while applying an all 0s to all 1s transition at the input of the other DACs.

Note 18: All DACs have full-scale outputs latched and DJ is clocked with no update of the DAC outputs. The glitch is then measured on the DAC outputs.

Note 19: Clock feedthrough is measured for each DAC with its output at full-scale. The serial clock is then applied to the DAC at a frequency of 10 MHz and the glitch on each DAC full-scale output is measured.

Note 20: Channel-to-channel isolation is a measure of the effect of a change in one DAC's output on the output of another DAC. The V_{REF} of the first DAC is varied between 1.4V and 2.65V at a frequency of 15 kHz while the change in full-scale output of the second DAC is measured. The first DAC is loaded with all 0s.

Note 21: Glitch energy is the difference between the positive and negative glitch areas at the output of the DAC when a 1 LSB digital input code change is applied to the input. The glitch energy will have its largest value at one of the three major transitions. The peak value of the maximum glitch is separately specified.

Note 22: Power Supply Rejection Ratio is measured by varying $AV_{CC} = DV_{CC}$ between 4.75V and 5.25V with a frequency of 10 kHz and measuring the proportion of this signal imposed on a full-scale output of the DAC under consideration.

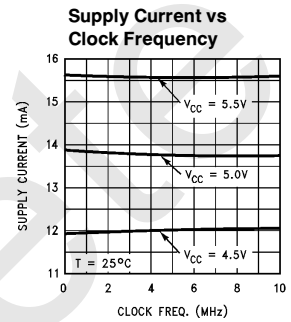
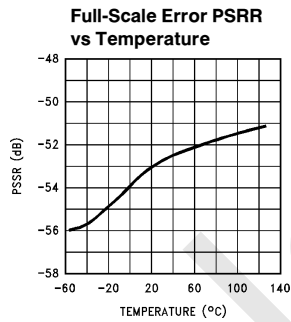
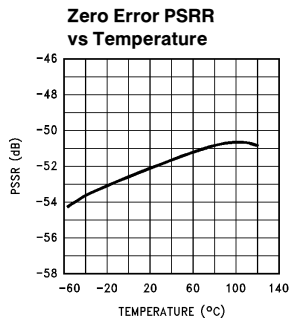
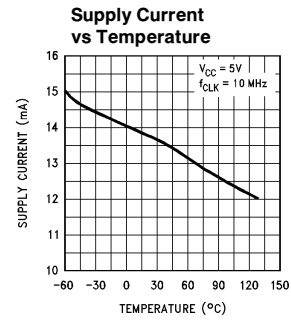
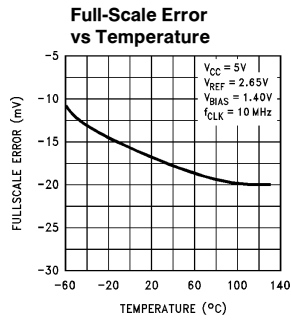
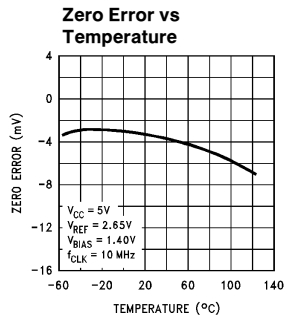
Note 23: The bandgap reference tempco is defined by the following equation:

$$\text{Tempco} = \left[\frac{V_{REF}(T_{MAX}) - V_{REF}(T_{MIN})}{V_{REF}(T_{ROOM})} \right] \left[\frac{10^6}{T_{MAX} - T_{MIN}} \right]$$

where $T_{ROOM} = 25^\circ\text{C}$, $V_{REF}(T_{MAX})$ is the reference output at T_{MAX} , and similarly for $V_{REF}(T_{MIN})$ and $V_{REF}(T_{ROOM})$.

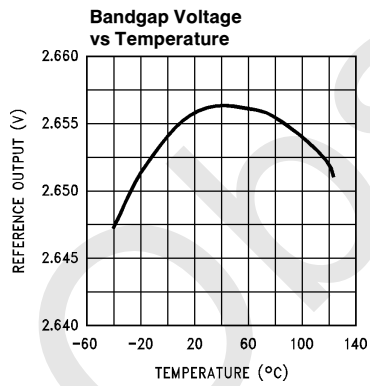
Note 24: A Military RETS specification is available upon request.

Typical Converter Performance Characteristics

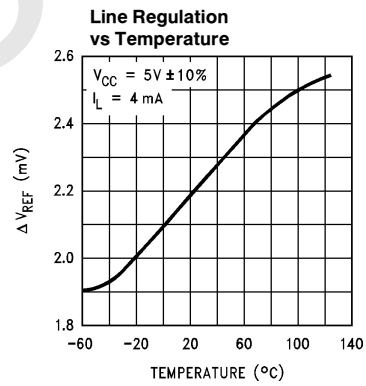


TL/H/11261-2

Typical Reference Performance Characteristics

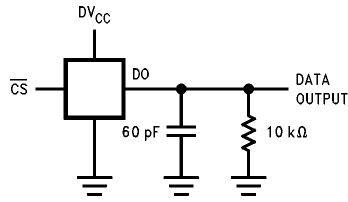


TL/H/11261-3

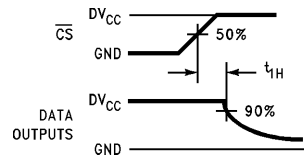


TL/H/11261-4

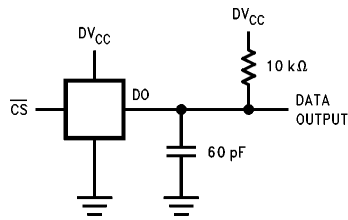
TRI-STATE Test Circuits and Waveforms



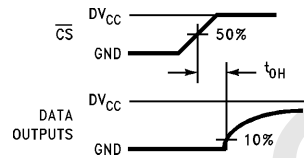
TL/H/11261-5



TL/H/11261-6

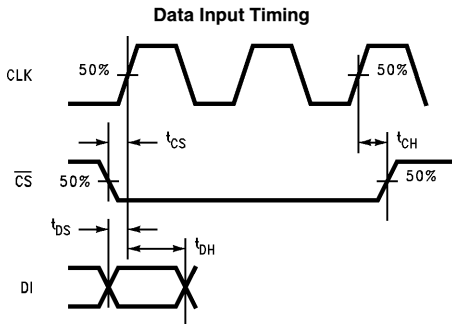


TL/H/11261-7

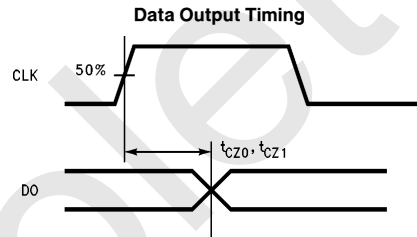


TL/H/11261-8

Timing Waveforms

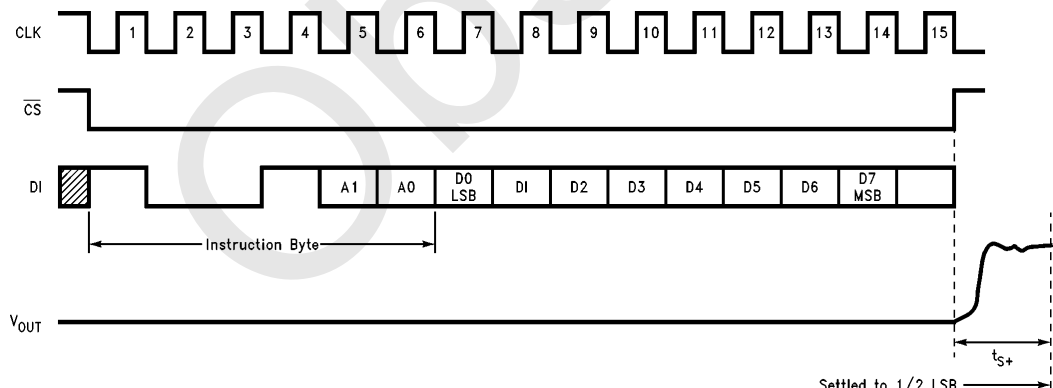


TL/H/11261-9



TL/H/11261-10

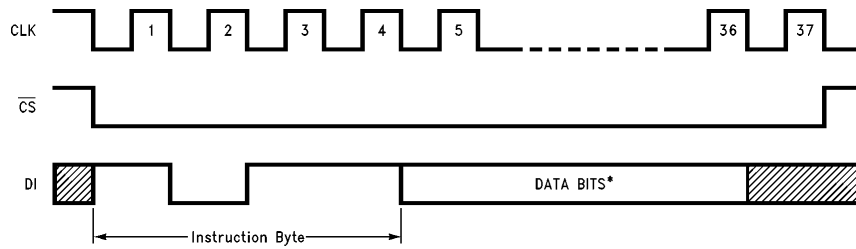
Timing Diagrams



TL/H/11261-11

FIGURE 1. Write to One DAC with Update of Output ($\overline{AU} = 1$)

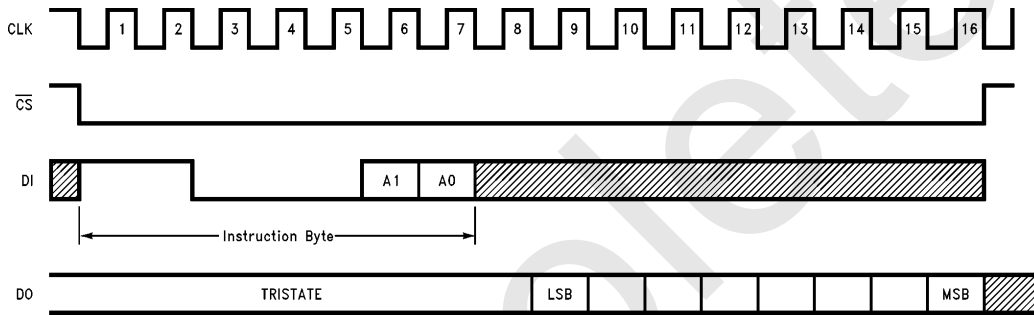
Timing Diagrams (Continued)



TL/H/11261-12

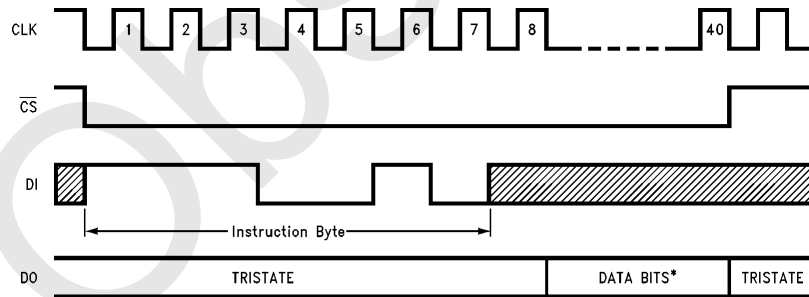
* DACs are written to LSB first.
DAC1 is written to first, then DACs 2, 3, and 4.

FIGURE 2. Write to All DACs with Update of Outputs ($\overline{AU} = 1$)



TL/H/11261-13

FIGURE 3. Read One DAC, DO Changes on Falling Edge, DO LSB First ($\overline{AU} = 1$)

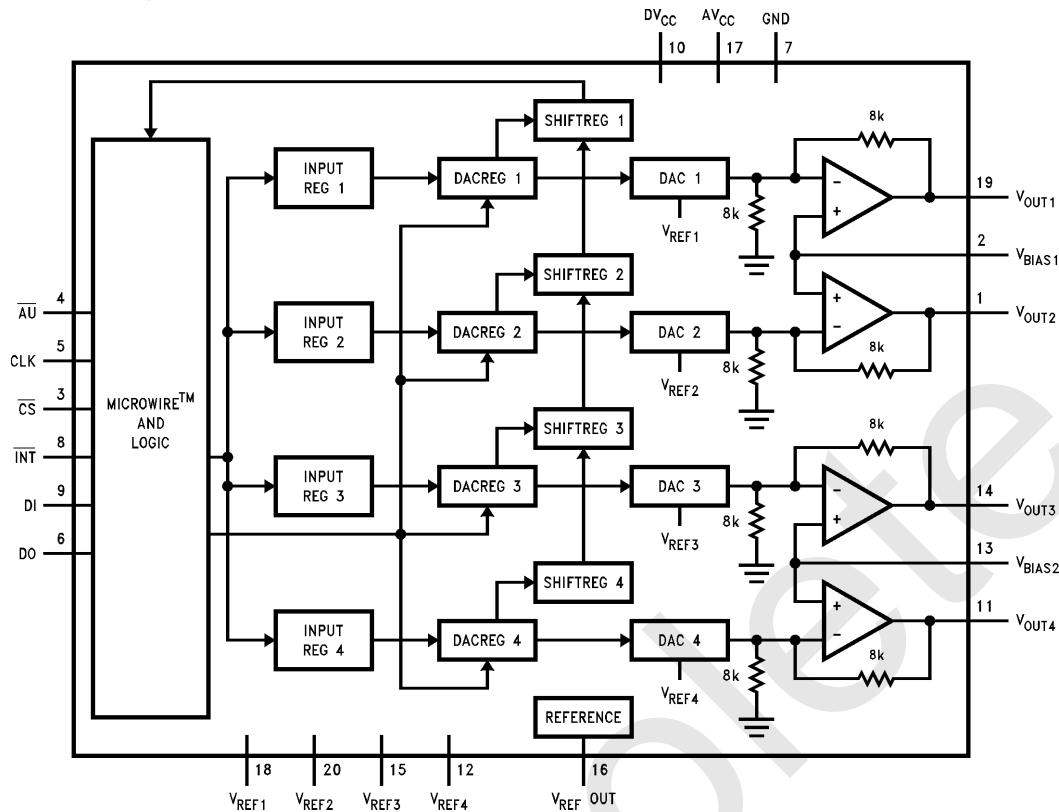


TL/H/11261-14

*DAC1 is read first, then DACs 2, 3, and 4.

FIGURE 4. Read All DACs, DO LSB First, DO Changes on Falling Edge ($\overline{AU} = 1$)

Block Diagram



TL/H/11261-15

Pin Description

V_{OUT1} (19)	The voltage output connections of the four DACs. These provide output voltages in the range 0.3V–2.8V.	$\overline{A\bar{U}}$ (4)	When this pin is taken low, all DAC outputs will be asynchronously updated. \overline{CS} must be held high during the update.
V_{OUT2} (1)		V_{REF1} (18)	The voltage reference inputs for the four DACs. The allowed range is 0V–2.75V.
V_{OUT3} (14)		V_{REF2} (20)	
V_{OUT4} (11)		V_{REF3} (15)	
V_{REFOUT} (16)	The internal voltage reference output. The output of the reference is 2.65V \pm 2%. This pin should be bypassed with a 220 μ F capacitor.	V_{REF4} (12)	
V_{BIAS1} (2)	V_{BIAS1} is connected to the non-inverting inputs of output amplifiers 1 and 2, thereby setting the virtual ground voltage for DAC's 1 and 2, while V_{BIAS2} performs this function for DAC's 3 and 4. The allowed range is 0.3V–1.4V.	\overline{CS} (3)	The Chip Select control input. This input is active low.
V_{BIAS2} (13)		CLK(5)	The external clock input pin.
GND(7)	The system ground pin. Connect to clean ground point.	DI(9)	The serial data input. The data is clocked in LSB first. Preceding the data byte are 4 or 6 bits of instructions.
DV_{CC} (10)	The digital and analog power supply pins. The power supply range of the DAC0854 is 4.5V–5.5V. To guarantee accuracy, it is required that the AV_{CC} and DV_{CC} pins be bypassed separately with bypass capacitors of 10 μ F tantalum in parallel with 0.1 μ F ceramic.	DO(6)	The serial data output. The data can be clocked out either MSB or LSB first, and on either the positive or negative edge of the clock.
AV_{CC} (17)		\overline{INT} (8)	The power interrupt output. On an interruption of the power supply, this pin goes low. Since this pin has an open drain output, a 10 k Ω pull-up resistor must be connected to the supply.

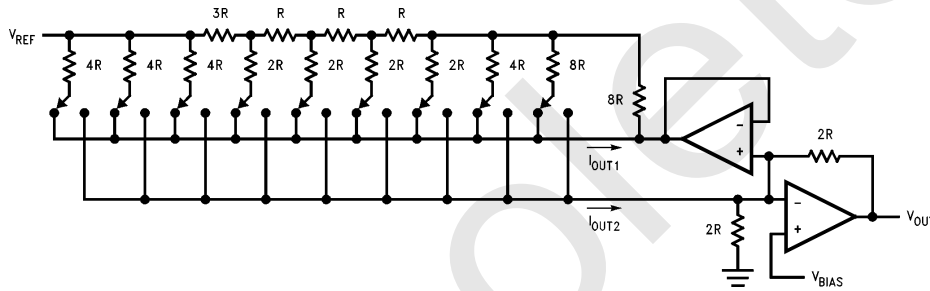
Applications Information

FUNCTIONAL DESCRIPTION

The DAC0854 is a monolithic quad 8-bit digital-to-analog converter that is designed to operate on a single 5V supply. Each of the four units is comprised of an input register, a DAC register, a shift register, a current output DAC, and an output amplifier. In addition, the DAC0854 has an onboard bandgap reference and a logic unit which controls the internal operation of the DAC0854 and interfaces it to micro-processors.

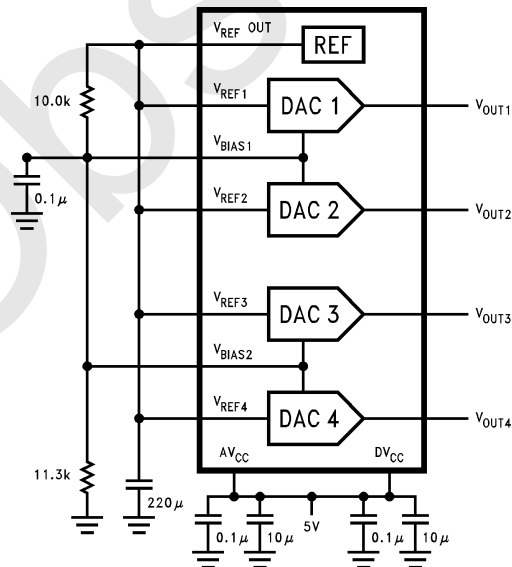
Each of the four internal 8-bit DACs uses a modified R-2R ladder to effect the digital-to-analog conversion (Figure 5). The resistances corresponding to the 2 most significant bits are segmented to reduce glitch energy and to improve matching. The bottom of the ladder has been modified so that the voltage across the LSB resistor is much larger than the input offset voltage of the buffer amplifier. The input digital code determines the state of the switches in the ladder network. The sum of currents I_{OUT1} and I_{OUT2} is fixed and is given by

$$I_{OUT1} + I_{OUT2} = \left(\frac{V_{REF} - V_{BIAS}}{R} \right) \frac{255}{256}$$



TL/H/11261-16

FIGURE 5. Equivalent Circuit of R-2R Ladder and Output Amplifier



TL/H/11261-17

FIGURE 6. Generating a $V_{BIAS} = 1.40V$ from the Internal Reference

The current output I_{OUT2} is applied to the internal output amplifier and converted to a voltage. The output voltage of each DAC is a function of V_{BIAS} , V_{REF} , and the digital input word, and is given by

$$V_{OUT} = 2(V_{REF} - V_{BIAS}) \frac{DATA}{256} + \frac{511}{128} V_{BIAS} - \frac{255}{128} V_{REF}$$

The output voltage range for each DAC is 0.3V–2.8V. This range can be achieved by using the internal 2.65V reference and a voltage divider network which provides a V_{BIAS} of 1.40V (Figure 6). In this case the DAC transfer function is

$$V_{OUT} = 2.5 \frac{(DATA)}{256} + 0.310$$

The output impedance of any external reference that is used will affect the accuracy of the conversion. In order that this error be less than $1/2$ LSB, the output impedance of the external reference must be less than 7.8Ω .

Digital Interface

The DAC0854 has two interface modes: a WRITE mode and a READ mode. The WRITE mode is used to convert an 8-bit digital input word into a voltage. The READ mode is used to read back the digital data that was sent to one or all of the DACs. These modes are selected by the appropriate setting of the RD/ \overline{WR} bit, which is part of the instruction byte. The instruction byte precedes the data byte at the DI pin. In both modes, a high level on the Start Bit (SB) alerts the DAC to respond to the remainder of the input stream.

Table I lists the instruction set for the WRITE mode when writing to only a single DAC, and Table II lists the instruction set for a global write. The DACs are always written to LSB first. All DACs will be written to if the global bit (G) is high; DAC 1 is written to first, then DACs 2, 3 and 4 (in that order). If the update bit is high, then the DAC output will be updated on the rising edge of \overline{CS} ; otherwise, the new data byte will be placed only in the input register. Chip Select (\overline{CS}) must remain low for at least one clock cycle after the last data bit has been entered. (See *Figures 1 and 2*)

TABLE I. WRITE Mode Instruction Set (Writing to a Single DAC)

SB	RD/ \overline{WR}	G	U	A1	A0	Description
Bit # 1	Bit # 2	Bit # 3	Bit # 4	Bit # 5	Bit # 6	
1	0	0	0	0	0	Write DAC 1, no update of DAC outputs
1	0	0	0	0	1	Write DAC 2, no update of DAC outputs
1	0	0	0	1	0	Write DAC 3, no update of DAC outputs
1	0	0	0	1	1	Write DAC 4, no update of DAC outputs
1	0	0	1	0	0	Write DAC 1, update DAC 1 on \overline{CS} rising edge
1	0	0	1	0	1	Write DAC 2, update DAC 2 on \overline{CS} rising edge
1	0	0	1	1	0	Write DAC 3, update DAC 3 on \overline{CS} rising edge
1	0	0	1	1	1	Write DAC 4, update DAC 4 on \overline{CS} rising edge

TABLE II. WRITE Mode Instruction Set (Writing to all DACs)

SB	RD/ \overline{WR}	G	U	Description
Bit # 1	Bit # 2	Bit # 3	Bit # 4	
1	0	1	0	Write all DACs, no update of outputs
1	0	1	1	Write all DACs, update all outputs on \overline{CS} rising edge

Digital Interface (Continued)

Table III lists the instruction set for the READ mode. By the appropriate setting of the global (G) and address (A1 and A0) bits, one can select a specific DAC to be read, or one can read all the DACs in succession, starting with DAC 1. The R/F bit determines whether the data changes on the rising or the falling edge of the system clock. With the R/F bit high, the data changes on the rising edge that occurs 1½ clock cycles after the end of the instruction byte. With the R/F bit low, the data changes on the falling edge that oc-

curs 1 clock cycle after the end of the instruction byte. One can choose to read the data back MSB first or LSB first by setting the M/L bit. (See Figures 3 and 4)

An asynchronous update of all the DAC outputs can be achieved by taking \overline{AU} low. The contents of the input registers are loaded into the DAC registers, with the update occurring on the falling edge of \overline{AU} . \overline{CS} must be held high during an asynchronous update.

All DAC registers will have their contents reset to all zeros on power up.

TABLE III. READ MODE Instruction Set

SB	RD/ \overline{WR}	G	R/ \overline{F}	M/ \overline{L}	A1	A0	Description
Bit # 1	Bit # 2	Bit # 3	Bit # 4	Bit # 5	Bit # 6	Bit # 7	
1	1	0	0	0	0	0	Read DAC 1, LSB first, data changes on the falling edge
1	1	0	0	0	0	1	Read DAC 2, LSB first, data changes on the falling edge
1	1	0	0	0	1	0	Read DAC 3, LSB first, data changes on the falling edge
1	1	0	0	0	1	1	Read DAC 4, LSB first, data changes on the falling edge
1	1	0	0	1	0	0	Read DAC 1, MSB first, data changes on the falling edge
1	1	0	0	1	0	1	Read DAC 2, MSB first, data changes on the falling edge
1	1	0	0	1	1	0	Read DAC 3, MSB first, data changes on the falling edge
1	1	0	0	1	1	1	Read DAC 4, MSB first, data changes on the falling edge
1	1	0	1	0	0	0	Read DAC 1, LSB first, data changes on the rising edge
1	1	0	1	0	0	1	Read DAC 2, LSB first, data changes on the rising edge
1	1	0	1	0	1	0	Read DAC 3, LSB first, data changes on the rising edge
1	1	0	1	0	1	1	Read DAC 4, LSB first, data changes on the rising edge
1	1	0	1	1	0	0	Read DAC 1, MSB first, data changes on the rising edge
1	1	0	1	1	0	1	Read DAC 2, MSB first, data changes on the rising edge
1	1	0	1	1	1	0	Read DAC 3, MSB first, data changes on the rising edge
1	1	0	1	1	1	1	Read DAC 4, MSB first, data changes on the rising edge
1	1	1	0	0	1	0	Read all DACs, LSB first, data changes on the falling edge
1	1	1	0	1	1	0	Read all DACs, MSB first, data changes on the falling edge
1	1	1	1	0	1	0	Read all DACs, LSB first, data changes on the rising edge
1	1	1	1	1	1	0	Read all DACs, MSB first, data changes on the rising edge

Power Fail Function

If a power failure occurs on the system using the DAC0854 then the \overline{INT} pin will be pulled low on the next power-up cycle. To force this output high again and reset this flag, the \overline{CS} pin will have to be brought low. When this is done the \overline{INT} output will be pulled high again via an external 10 k Ω pull-up resistor. This feature may be used by the microprocessor to discard data whose integrity is in question.

Power Supplies

The DAC0854 is designed to operate from a +5V (nominal) supply. There are two supply pins, AV_{CC} and DV_{CC} . These pins allow separate external bypass capacitors for the analog and digital portions of the circuit. To guarantee accurate conversions, the two supply pins should each be bypassed with a 0.1 μ F ceramic capacitor in parallel with a 10 μ F tantalum capacitor.

Typical Applications

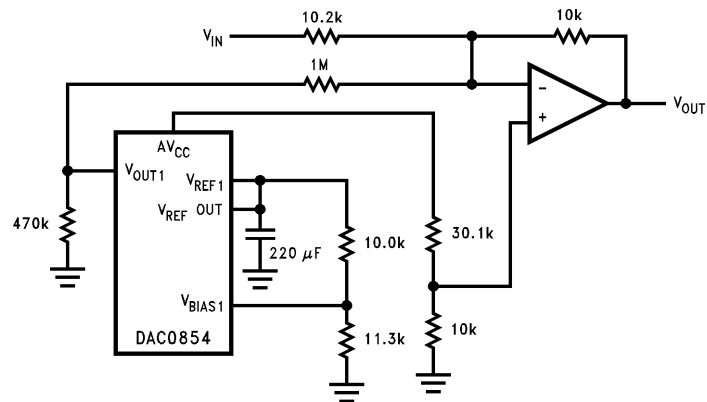


FIGURE 7. Trimming the Offset of a 5V Op Amp Biased at Mid Supply

TL/H/11261-18

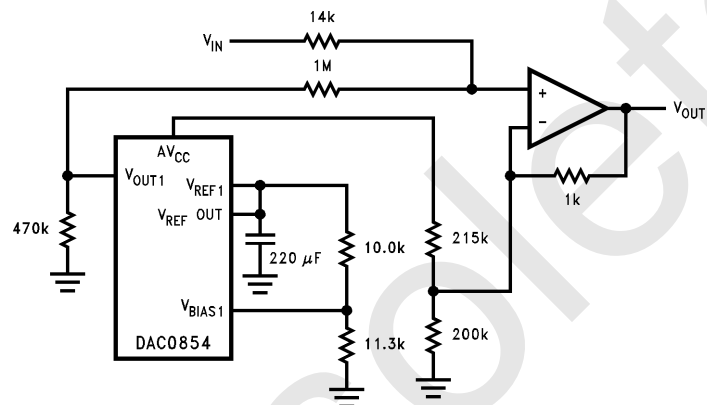


FIGURE 8. Trimming the Offset of a Dual Supply Op Amp Biased at Ground

TL/H/11261-19

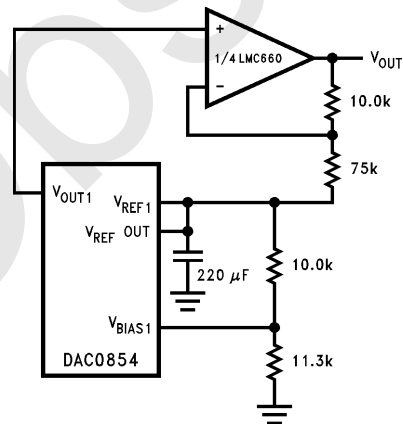
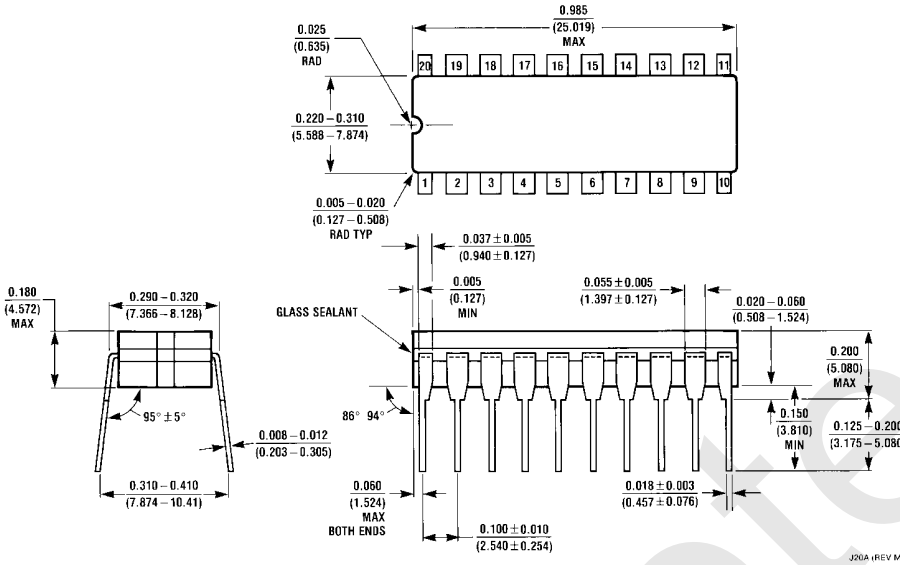


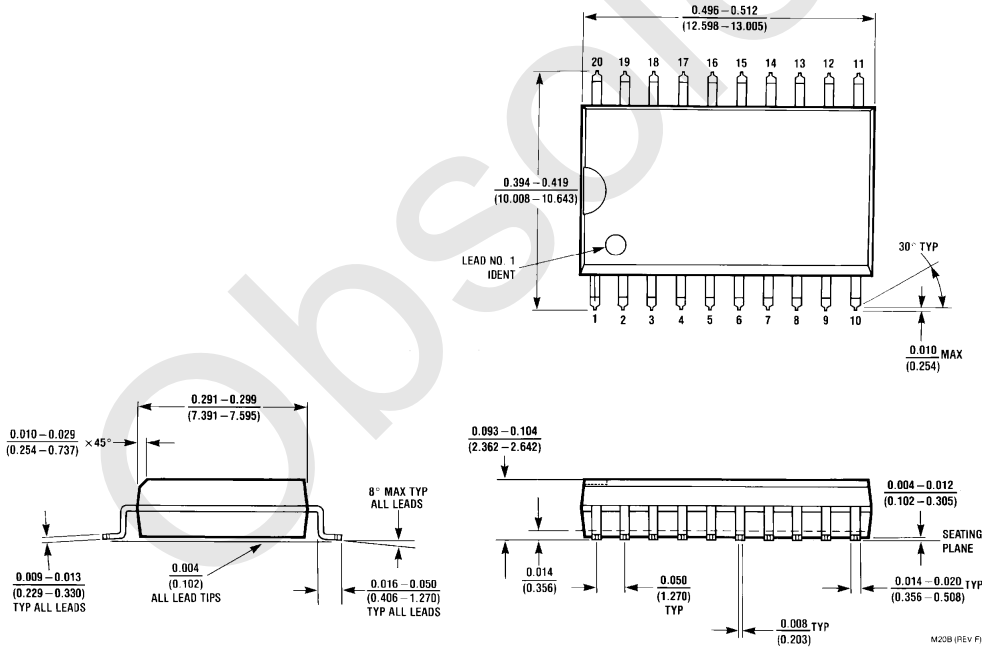
FIGURE 9. Bringing the Output Range Down to Ground

TL/H/11261-20

Physical Dimensions inches (millimeters)

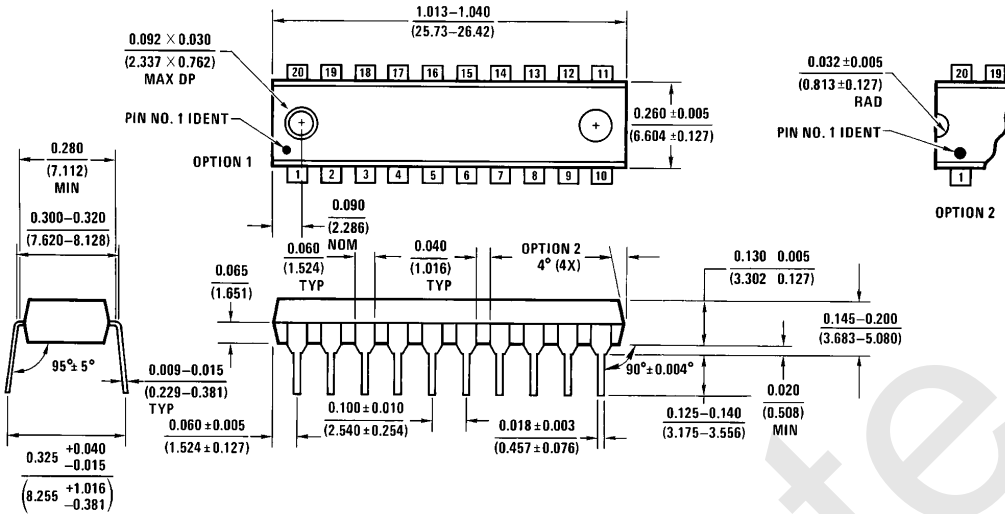


Order Number DAC0854CIJ or DAC0854CMJ/883
NS Package Number J20A



Order Number DAC0854BIWM or DAC0854CIWM
NS Package Number M20B

Physical Dimensions inches (millimeters) (Continued)



Order Number DAC0854BIN or DAC0854CIN
NS Package Number N20A

N20A (REV G)

LIFE SUPPORT POLICY

NATIONAL'S PRODUCTS ARE NOT AUTHORIZED FOR USE AS CRITICAL COMPONENTS IN LIFE SUPPORT DEVICES OR SYSTEMS WITHOUT THE EXPRESS WRITTEN APPROVAL OF THE PRESIDENT OF NATIONAL SEMICONDUCTOR CORPORATION. As used herein:

1. Life support devices or systems are devices or systems which, (a) are intended for surgical implant into the body, or (b) support or sustain life, and whose failure to perform, when properly used in accordance with instructions for use provided in the labeling, can be reasonably expected to result in a significant injury to the user.
2. A critical component is any component of a life support device or system whose failure to perform can be reasonably expected to cause the failure of the life support device or system, or to affect its safety or effectiveness.



National Semiconductor Corporation
2900 Semiconductor Drive
P.O. Box 58090
Santa Clara, CA 95052-8090
Tel: 1(800) 272-9959
TWX: (910) 339-9240

National Semiconductor GmbH
Livy-Gargan-Str. 10
D-82256 Fürstenfeldbruck
Germany
Tel: (81-41) 35-0
Telex: 527849
Fax: (81-41) 35-1

National Semiconductor Japan Ltd.
Sumitomo Chemical
Engineering Center
Bldg. 7F
1-7-1, Nakase, Mihama-Ku
Chiba-City,
Ciba Prefecture 261
Tel: (043) 299-2300
Fax: (043) 299-2500

National Semiconductor Hong Kong Ltd.
13th Floor, Straight Block,
Ocean Centre, 5 Canton Rd.
Tsimshatsui, Kowloon
Hong Kong
Tel: (852) 2737-1600
Fax: (852) 2736-9960

National Semicondutores Do Brazil Ltda.
Rue Deputado Lacorda Franco
120-3A
Sao Paulo-SP
Brazil 05418-000
Tel: (55-11) 212-5066
Telex: 391-1131931 NSBR BR
Fax: (55-11) 212-1181

National Semiconductor (Australia) Pty. Ltd.
Building 16
Business Park Drive
Monash Business Park
Nottingham, Melbourne
Victoria 3168 Australia
Tel: (3) 558-9999
Fax: (3) 558-9998

National does not assume any responsibility for use of any circuitry described, no circuit patent licenses are implied and National reserves the right at any time without notice to change said circuitry and specifications.

IMPORTANT NOTICE

Texas Instruments Incorporated and its subsidiaries (TI) reserve the right to make corrections, modifications, enhancements, improvements, and other changes to its products and services at any time and to discontinue any product or service without notice. Customers should obtain the latest relevant information before placing orders and should verify that such information is current and complete. All products are sold subject to TI's terms and conditions of sale supplied at the time of order acknowledgment.

TI warrants performance of its hardware products to the specifications applicable at the time of sale in accordance with TI's standard warranty. Testing and other quality control techniques are used to the extent TI deems necessary to support this warranty. Except where mandated by government requirements, testing of all parameters of each product is not necessarily performed.

TI assumes no liability for applications assistance or customer product design. Customers are responsible for their products and applications using TI components. To minimize the risks associated with customer products and applications, customers should provide adequate design and operating safeguards.

TI does not warrant or represent that any license, either express or implied, is granted under any TI patent right, copyright, mask work right, or other TI intellectual property right relating to any combination, machine, or process in which TI products or services are used. Information published by TI regarding third-party products or services does not constitute a license from TI to use such products or services or a warranty or endorsement thereof. Use of such information may require a license from a third party under the patents or other intellectual property of the third party, or a license from TI under the patents or other intellectual property of TI.

Reproduction of TI information in TI data books or data sheets is permissible only if reproduction is without alteration and is accompanied by all associated warranties, conditions, limitations, and notices. Reproduction of this information with alteration is an unfair and deceptive business practice. TI is not responsible or liable for such altered documentation. Information of third parties may be subject to additional restrictions.

Resale of TI products or services with statements different from or beyond the parameters stated by TI for that product or service voids all express and any implied warranties for the associated TI product or service and is an unfair and deceptive business practice. TI is not responsible or liable for any such statements.

TI products are not authorized for use in safety-critical applications (such as life support) where a failure of the TI product would reasonably be expected to cause severe personal injury or death, unless officers of the parties have executed an agreement specifically governing such use. Buyers represent that they have all necessary expertise in the safety and regulatory ramifications of their applications, and acknowledge and agree that they are solely responsible for all legal, regulatory and safety-related requirements concerning their products and any use of TI products in such safety-critical applications, notwithstanding any applications-related information or support that may be provided by TI. Further, Buyers must fully indemnify TI and its representatives against any damages arising out of the use of TI products in such safety-critical applications.

TI products are neither designed nor intended for use in military/aerospace applications or environments unless the TI products are specifically designated by TI as military-grade or "enhanced plastic." Only products designated by TI as military-grade meet military specifications. Buyers acknowledge and agree that any such use of TI products which TI has not designated as military-grade is solely at the Buyer's risk, and that they are solely responsible for compliance with all legal and regulatory requirements in connection with such use.

TI products are neither designed nor intended for use in automotive applications or environments unless the specific TI products are designated by TI as compliant with ISO/TS 16949 requirements. Buyers acknowledge and agree that, if they use any non-designated products in automotive applications, TI will not be responsible for any failure to meet such requirements.

Following are URLs where you can obtain information on other Texas Instruments products and application solutions:

Products

Audio	www.ti.com/audio
Amplifiers	amplifier.ti.com
Data Converters	dataconverter.ti.com
DLP® Products	www.dlp.com
DSP	dsp.ti.com
Clocks and Timers	www.ti.com/clocks
Interface	interface.ti.com
Logic	logic.ti.com
Power Mgmt	power.ti.com
Microcontrollers	microcontroller.ti.com
RFID	www.ti-rfid.com
OMAP Mobile Processors	www.ti.com/omap
Wireless Connectivity	www.ti.com/wirelessconnectivity

Applications

Communications and Telecom	www.ti.com/communications
Computers and Peripherals	www.ti.com/computers
Consumer Electronics	www.ti.com/consumer-apps
Energy and Lighting	www.ti.com/energy
Industrial	www.ti.com/industrial
Medical	www.ti.com/medical
Security	www.ti.com/security
Space, Avionics and Defense	www.ti.com/space-avionics-defense
Transportation and Automotive	www.ti.com/automotive
Video and Imaging	www.ti.com/video

TI E2E Community Home Page

e2e.ti.com

Mailing Address: Texas Instruments, Post Office Box 655303, Dallas, Texas 75265
Copyright © 2011, Texas Instruments Incorporated