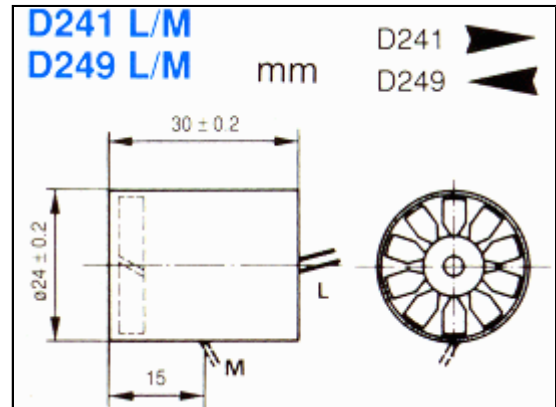


# Vaneaxial

FAN MODEL # D241 L/M / D249 L/M



## SPECIFICATIONS:

SIZE 0.95 x 1.18 INCHES

VOLTAGE 6 / 12 / 24

SHAPE CYLINDRICAL

WATTS 0.3

RPM 12,500 / 14,500

CFM 3.2

MBAR 0.65-0.75

LIFE 5000 HOURS

NOISE 37 / 43 DBA

TEMP. - 20 TO + 65 C

BEARINGS SLEEVE

WEIGHT 16 GRAMS

PLASTIC POLYPHENYLENE OXIDE

## APPLICATIONS:

- 1) AIR SAMPLING
- 2) DENTAL UV LAMP COOLING
- 3) SPOT COOLING
- 4) AIR VELOCITY SENSOR
- 5) PLANT CHAMBER AIR CIRCULATOR
- 6) INCUBATOR AIR CIRCULATOR

## NOTES:

- 1) MANY SPECIAL UNITS ARE ALSO AVAILABLE.
- 2) L-LEADS EXITS END OF HOUSING.
- 3) M-LEADS EXIT MIDDLE OF HOUSING.
- 4) LEAD TERMINATIONS PER CUSTOMER SPECIFICATIONS.