

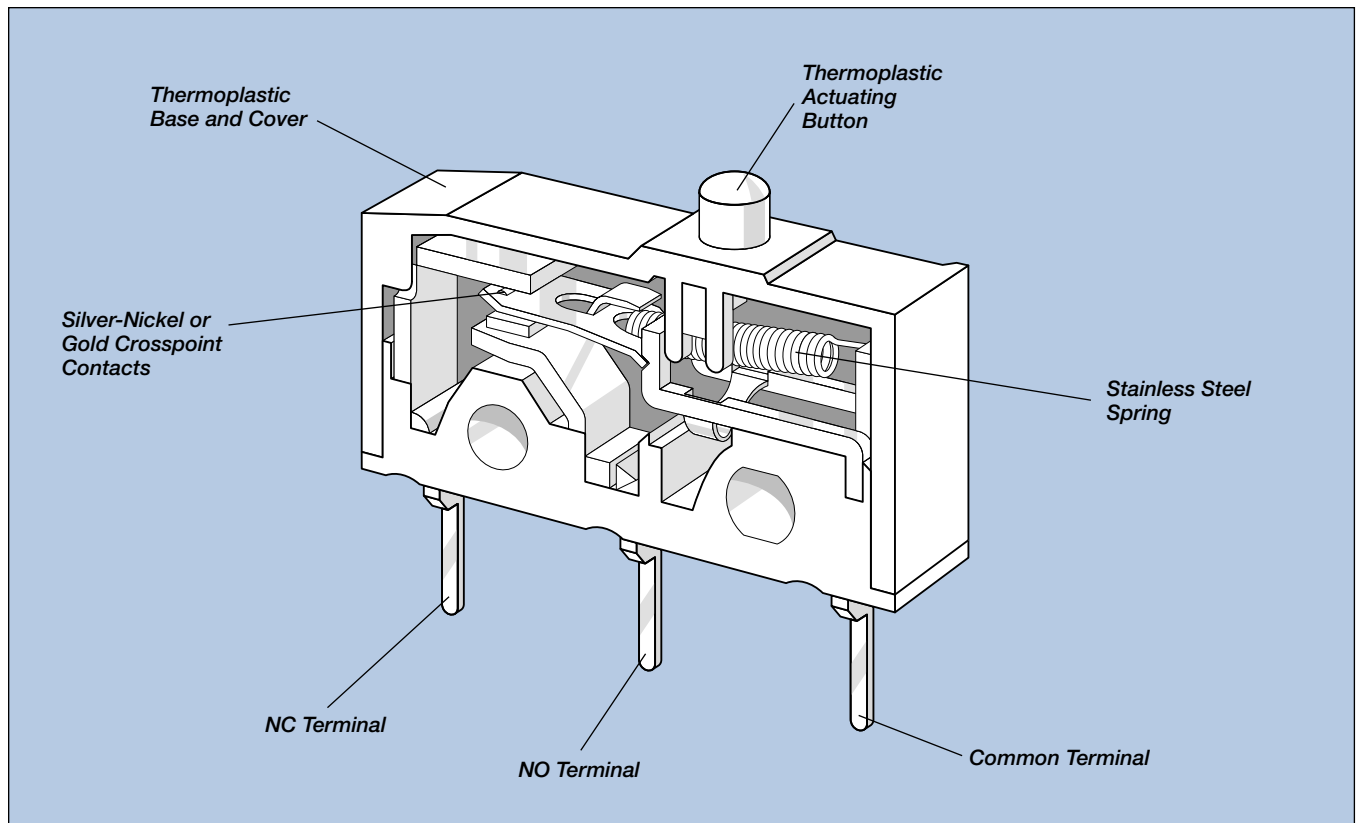
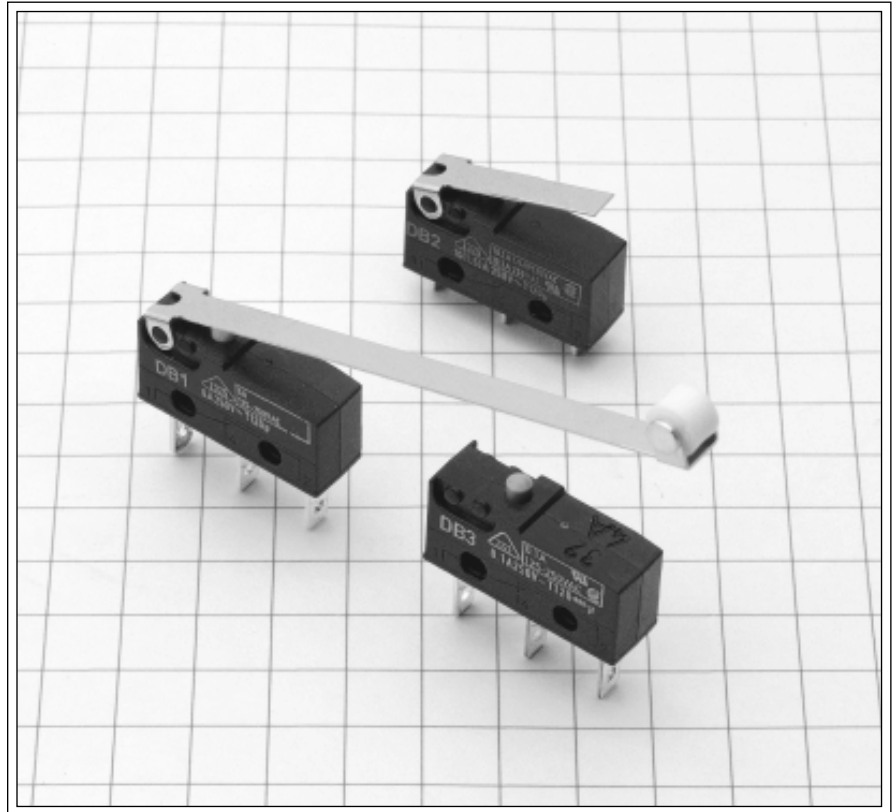
# DB Series

# Subminiature

- DB1 5.0 amp**
- DB2 10.1 amp**
- DB3 0.1 amp**

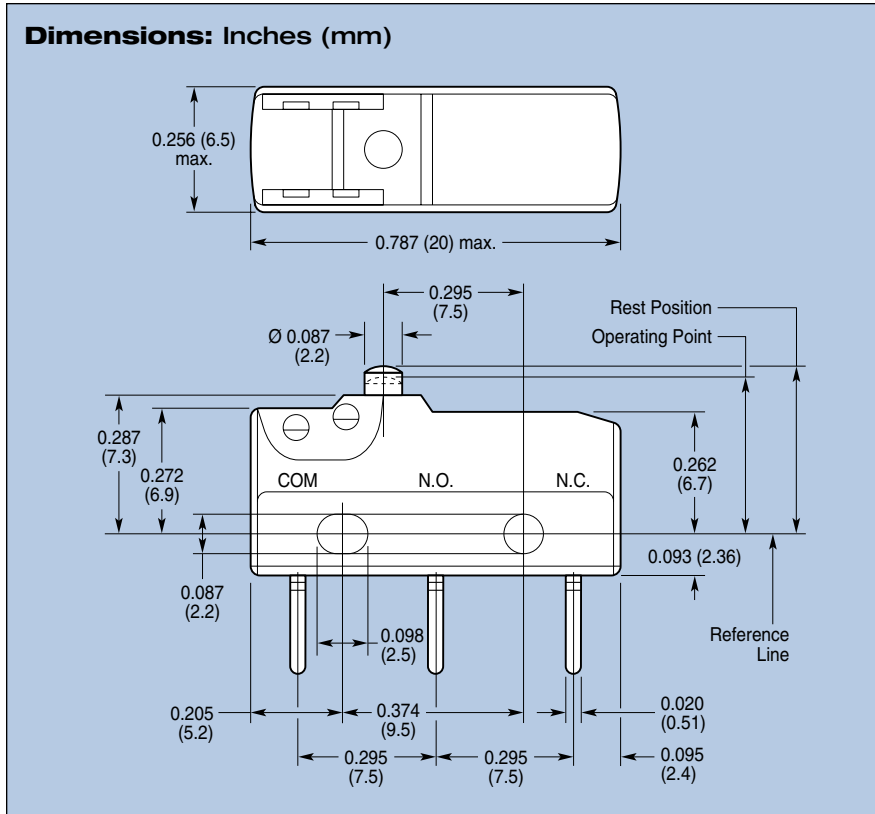
## Features

- A variety of solder, Q.C. and PCB type terminals
- Wide range of auxiliary actuators
- Operating force from 150 to 250 gms
- Symmetrical termination
- PCB versions have optional plastic pin for side mounting or stand-off tabs for upright mounting. Auxiliary actuators can be added after PCB mounting
- Round actuating button with radius to provide the minimum frictional resistance
- All terminals sealed



# DB Series

# Subminiature






  
 depending on model

## Contacts and Ratings

Series Prefix	Rating
DB1	UL 5.0 amp, 125-250 VAC VDE 6 amp, 250V Silver-Nickel Contacts
DB2	UL 10.1 amp, 125-250 VAC 1/4 HP, 125 VAC VDE 10 (1.5) amp, 250V Silver-Nickel Contacts
DB3	UL 0.1 amp, 125-250 VAC VDE 100mA, 250V Gold Crosspoint Contacts
Temperature Rating	-40° to +85°C, +120°C optional
Flammability Rating	UL94V-O

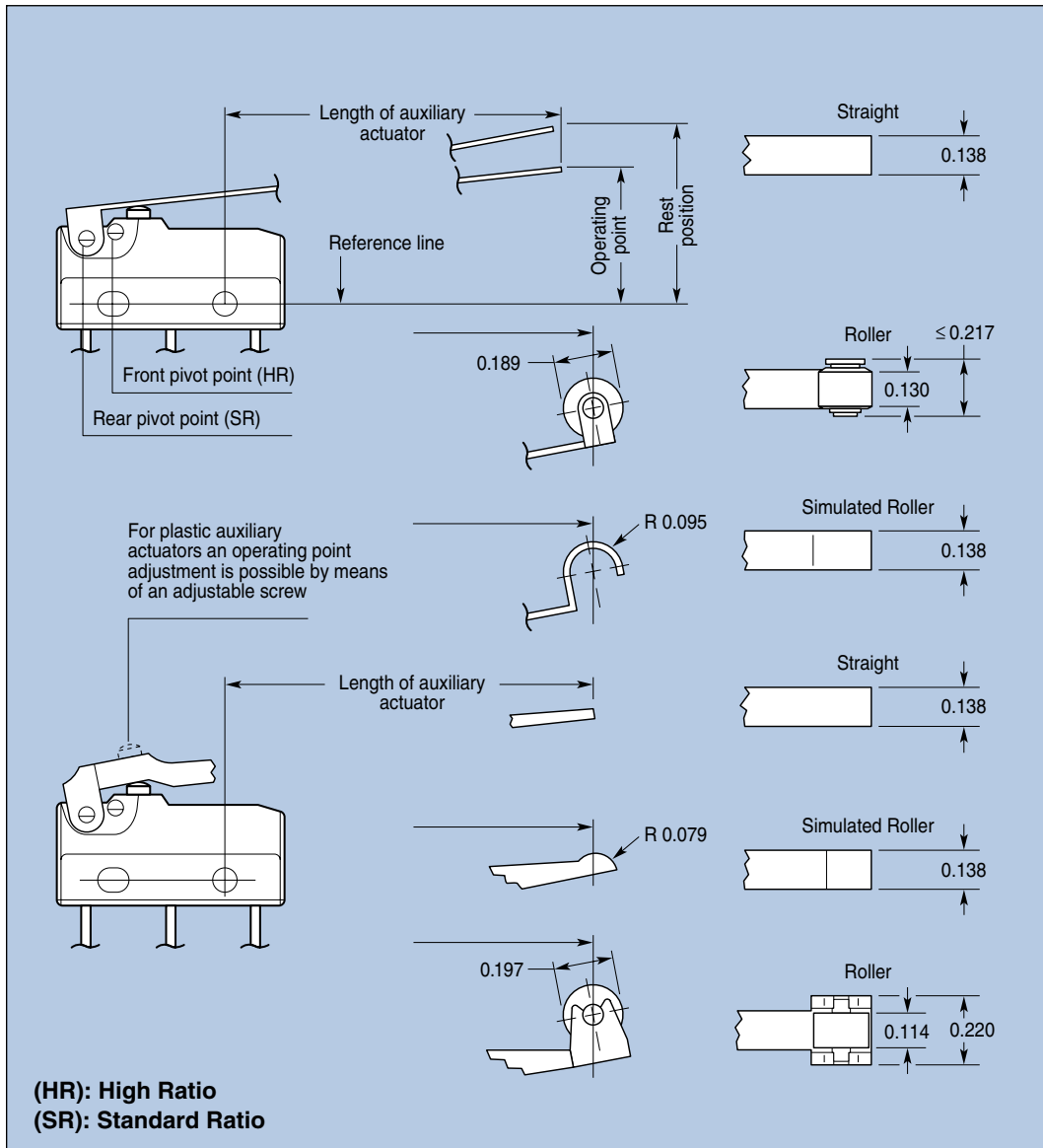
## Electrical Specifications/Life

	DB1	DB2	DB3
Mechanical Life	1.5x10 <sup>7</sup>	10 <sup>7</sup>	1.5x10 <sup>7</sup>
Electrical Life	>10,000	>10,000	>2,000,000

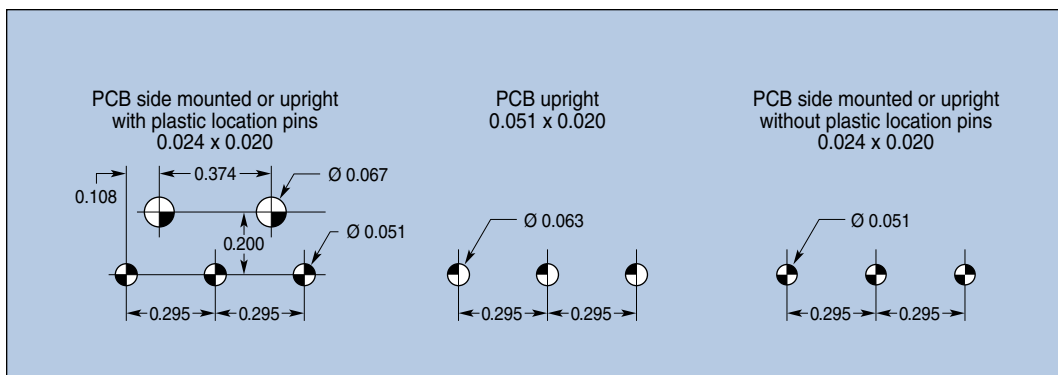
## Materials

Base	Thermoplastic Polyester
Cover	Thermoplastic Polyester
Actuator	Thermoplastic Polyester, Thermoplastic Acetal
Auxiliary Actuator	Stainless Steel or Plastic
Terminals	Brass Silver-Plated
Contacts	Silver-Nickel Welded or Gold Crosspoint Contacts

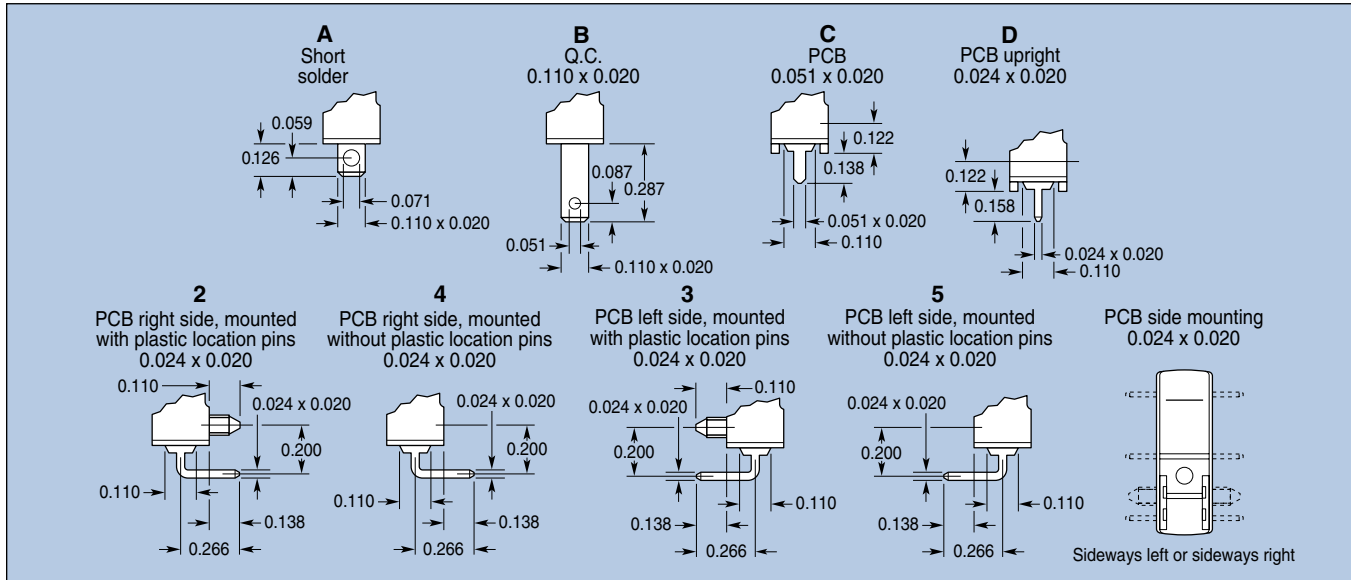
## Auxiliary Actuator



## PCB Footprints



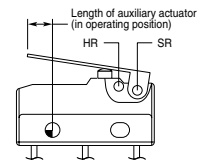
## Terminals



## Characteristics

Operating Force	DB1 & DB3: 150 gms. max.; DB2: 250 gms. max.
Pretravel	0.039 max.
Overtravel	0.023 min.
Movement Differential	0.004 max.
Rest Position*	0.366 max.
Operating Point*	0.330 ±0.012

Actuator lengths are dimensioned from centerline of switch mounting hole.  
SR - Standard Ratio HR - High Ratio



\* Measured above reference line. Refer to dimensional drawing on page 2-3.

## Ordering Information

DB		2		C		A		1		L		C					
Series/Prefix														Actuator Length			
C O D E	Current Ratings		Button Color	C O D E	Contact Configuration	C O D E	Terminal Type	C O D E	Terminal Config.	C O D E	Actuator	A	B	C	D		
	VDE	UL										—	—	—	—		
1	6 amp 250V	5 amp 125-250 VAC	Neutral	A	NO	A	Solder Short	1		A	Button	—	—	—	—		
				B	NC	B	Q.C. <sup>1</sup> 0.110 x 0.020	2		M	Lever HR	—	0.275	0.370	1.712		
				C	DT	C	PCB 0.051 x 0.020	3		L	Lever SR	—	0.189	0.275	1.653		
2	10 (1.5) amp 250V	10A 1/4 HP 125 VAC 10.1 amp 250 VAC	Black	E	NO <sup>3</sup>	D	PCB <sup>2</sup> 0.024 x 0.020	4		T	Roller HR	—	0.185	0.280	1.622		
				F	NC <sup>3</sup>			5		R	Roller SR	—	0.098	0.185	1.563		
				G	DT <sup>3</sup>					U	Straight w/Sim. Roller HR	—	0.185	0.280	1.622		
3	0.1 amp 250V	0.1 amp 250 VAC	Green							S	Straight w/Sim. Roller SR	—	0.098	0.185	1.563		
										G	Straight (plastic) HR <sup>•</sup>	—	0.370	0.638	—		
										W	Straight (plastic) SR <sup>•</sup>	—	0.276	0.551	—		
									O	Roller (plastic) HR <sup>•</sup>	—	0.287	—	—			
									Z	Roller (plastic) SR <sup>•</sup>	—	0.205	—	—			
									H	Sim. Roller (plastic) HR <sup>•</sup>	—	0.311	—	—			
									V	Sim. Roller (plastic) SR <sup>•</sup>	—	0.220	—	—			

<sup>1</sup> 10 amp, not available as a VDE version  
<sup>2</sup> 10 amp, version not possible  
<sup>3</sup> For use with plastic actuators requiring 85°C

\*Code AA for button only.  
<sup>•</sup>Plastic actuator only available 85°C.