

Circular Connectors C 16-L Straight, No. of contacts 4 + PE, 600 V

Part No. C016 20P004 800 2



Series Circular Connectors C 16-L

View represents all available contact positions.

Subseries Circular Connector C 16-L

COMMON CHARACTERISTICS		
No. of contacts		4 + PE
Version		Straight
ELECTRICAL CHARACTERISTICS		
Rated voltage	DIN EN 60664-1 / IEC 60664-1	600V
Rated impulse voltage	DIN EN 60664-1 / IEC 60664-1	6000V
Rated current at 40°C		41 A
Installation category	DIN EN 60664-1 / IEC 60664-1	III
Insulation group	DIN EN 60664-1 / IEC 60664-1	II
Contact resistance	DIN EN 60512-2, Test 2a / IEC 60512-2 Test 2a	≤ 5 m
Pollution degree	DIN EN 60664-1 / IEC 60664-1	3
CLIMATICAL CHARACTERISTICS		
Temperature range		-25°C - +100°C
MECHANICAL CHARACTERISTICS		
IP degree of protection	DIN EN 60529 / IEC 60529	IP 65
Mechanical lifetime	DIN EN 60512-9-1, Test 9a	>250 Steckzyklen
MATERIALS		
Contact plating		silver plated
Housing		PA
Gasket		Neoprene
FURTHER CHARACTERISTICS		
Termination		screw
Wire gauge		2,5 - 6,0mm <sup>2</sup>
Wire gauge (AWG)		10 - 14
Flammability	UL 94	V-0
Locking		Bayonet

Circular Connectors C 16-L Straight, No. of contacts 4 + PE, 600 V

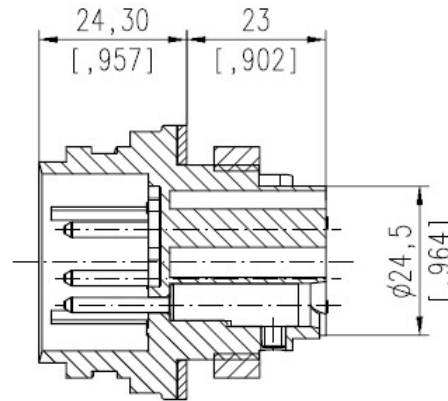
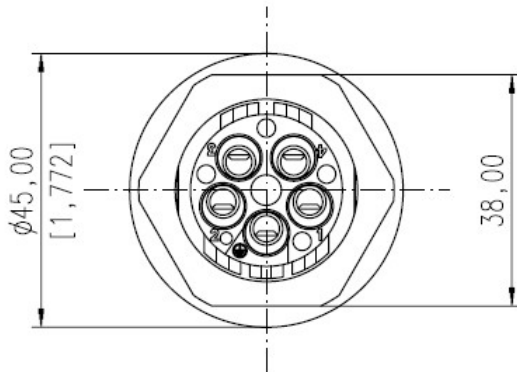
Part No. C016 20P004 800 2

Series Circular Connectors C 16-L

Subseries Circular Connector C 16-L



View represents all available contact positions.



Drawing Dimensions in mm (Inch)

02.09.2013

Circular Connectors C 16-L Straight, No. of contacts 4 + PE, 600 V

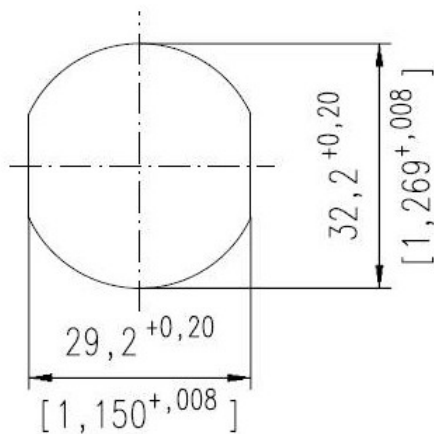
Part No. C016 20P004 800 2

Series Circular Connectors C 16-L

Subseries Circular Connector C 16-L



View represents all available contact positions.



Montageausschnitt  
Panel cutout