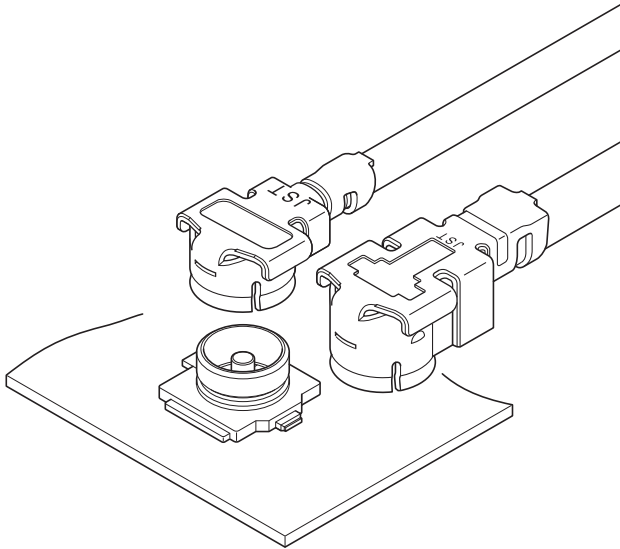


AYU1 CONNECTOR

Co-axial connector



Frequency from DC to 12GHz



This is SMT type, space saving and co-axial connector, corresponding to notebook PC, thinner and lighter telecommunications apparatus, etc.

[Application]

UWB, WiMAX, Wireless LAN, Bluetooth, DSRC, Mobile phones, PDA, GPS, Express, etc.

- This connector can also be applicable the frequency of 12GHz or more.
- Space saving and low profile design
- Easy mating and unmating connector
- Adopting extra fine diameter high frequency cable

Specifications

- Impedance: 50 Ω
- Frequency range: DC to 12GHz
- Voltage standing wave ratio (V.S.W.R.)

	Cable type	DC to 3GHz	3 to 6GHz	6 to 12GHz
Harness	φ 0.81 (Single shield SA)	1.3max.	1.3max.	1.4max.
	φ 1.13 (Single & Double shields TA)	1.3max.	1.4max.	1.4max.
Base		1.3max.	1.4max.	1.5max.

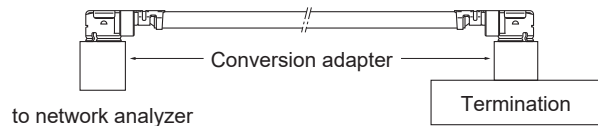
- Insertion loss (dB/m)

	Cable type	3GHz	6GHz	12GHz
Harness	φ 0.81 (Single shield SA)	5.8	9.4	14.9
	φ 1.13 (Single shield TA)	3.4	6.4	7.7
	φ 1.13 (Double shields TA)	2.9	4.1	6.1
Base		-	-	-

Note: The specified values in above tables were measured by network analyzer as shown in the figure below.

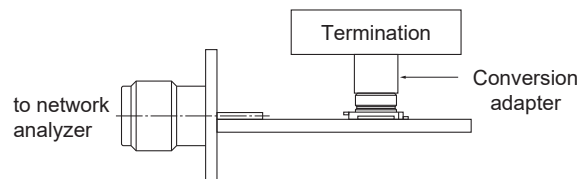
[Harness]

Harness: Both end harness assembly with harness of 5,000mm
SMA conversion adapter: AYU1-AP-PP



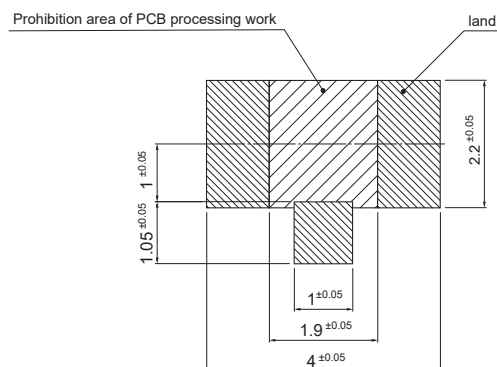
[Base]

Base: AYU1-1P-02676-120
SMA conversion adapter: AYU1-AP-JJ



- Temperature range: - 25°C to + 85°C
(including temperature rise in applying electrical current)
- Withstanding voltage: 200V AC/minute
- * RoHS2 compliance
- * In using the products, refer to "Handling Precaution for Terminal and Connector" described on our website (Technical documents of Product information page)
- * Contact JST for details.

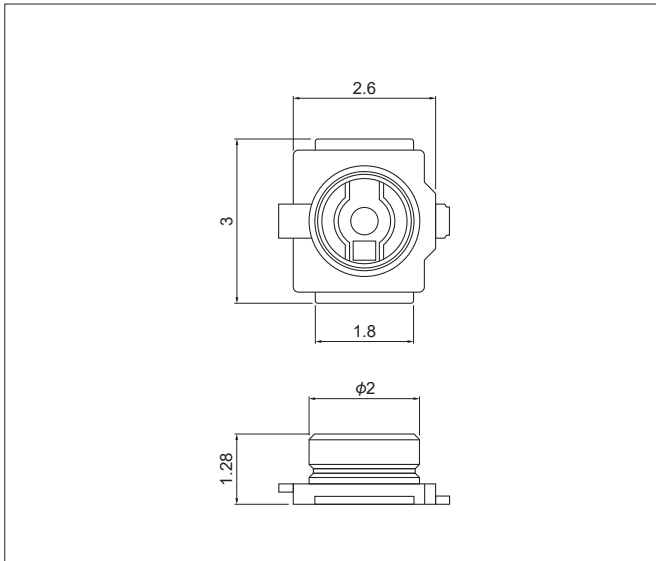
PC board layout



Note: 1. Tolerances are non-cumulative: ±0.05mm for all centers. The dimensions above are our recommendation value.
2. The above figure is the figure viewed from the connector mounting side.

AYU1 CONNECTOR

Base



Model No.	Material and Finish	Q'ty / reel
AYU1-1P-02676-120	Contact: Copper alloy, nickel-undercoated, selective gold-plated Housing: Heat resisting resin, UL94V-0 Shell: Copper alloy, copper-undercoated, silver-plated	5,000

RoHS2 compliance