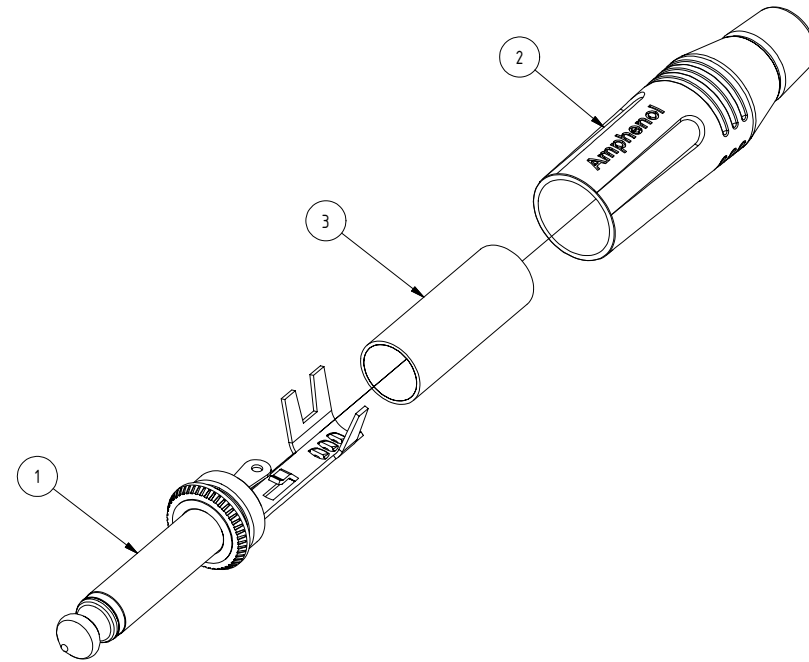


ISO VIEW



Parts List				
ITEM	PART NUMBER	DWG No	DESCRIPTION	QTY
1	50310007-*30	50310007-130-1	INSERT ASSEMBLY	1
2	53490001-*31	53490001-331-1	BACKSHELL ASSEMBLY	1
3	51270016-521	51270013-521-1	PVC INSULATION TUBE	1

Part Numbers According to Shell and Contact Finish			
CATALOGUE P/No	REFERENCE P/No.	SHELL FINISH	CONTACT FINISH
ACPM-GN	55010218-000	NICKEL	NICKEL SLEEVE AND TIP
ACPM-GN-AU	55010218-001	NICKEL	GOLD SLEEVE AND TIP
ACPM-GB	55010218-002	BLACK	NICKEL SLEEVE AND TIP
ACPM-GB-AU	55010218-003	BLACK	GOLD SLEEVE AND TIP

UNLESS OTHERWISE SPECIFIED TOLERANCE TO BE		THIS DOCUMENT IS THE PROPERTY OF AMPHENOL AUSTRALIA PTY LTD. NO PART THEREOF MAY BE REPRODUCED AND USED WITHOUT THE PRIOR WRITTEN CONSENT OF THE OWNER				1	UPDATE TO MODIFIED COMPONENTS	LV	1/03/2004	8241
LINEAR		ANGULAR		CAD FILE: 55010218000111		0	FIRST ISSUE	T.N	7/12/2002	----
X ± 0.5	X ₁ ± 1	X'X' ± 30'		DSD:	T.N	CHANGE DETAILS		BY	DATE	CHG/No
X.XX ± 0.1	X'X' ± 15'	X'X'X' ± 15'		MATL:	REFER TO COMPONENTS	DATE:	04-05-04	TITLE: 1/4" PHONE PLUG MONO ASSY		
BREAK ALL SHARP EDGES AND REMOVE ALL BURRS		FINISH:		CKD:	M.N.H	DATE:		DRAWING NO.		
DO NOT SCALE		SEE TABLE		APP'D:	P.M	DATE:		55010218-000-1		
DIMENSIONS IN MILLIMETRES		THIRD ANGLE PROJECTION		SCALE:	2:1 UOS	PART No:		SEE TABLE		SHEET 1/1
				SIZE:		A3		Amphenol Australia Pty Ltd, 2 Fineways Blvd, Keyborough, Vic3173		