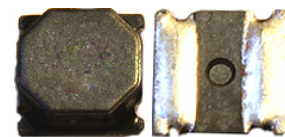


ULTRA LOW PROFILE SHIELDED SMD CHIP POWER INDUCTOR



4.0 x 4.0 x 1.0mm

ASPI-0410FS



RoHS
Compliant

FEATURES:

- Small size and low profile: 1.0mm
- Small DCR and high rated current
- High reliability to mechanical stress
- Magnetically shielded by magnetic powder molding
- Suitable for RoHS reflow profile

APPLICATIONS:

- Mobile phones
- MP3 & 4 and other portable communication equipment
- Digital cameras.

ELECTRICAL SPECIFICATIONS:

Abracon P/N:	ASPI-0410FS Series
Operating Temperature & Humidity :	-25 °C to +120°C (Including self generated heat)
Storage Temperature & Humidity:	-10 °C to + 40 °C, 30 % to 70 % RH

Part Number ASPI-0410FS- Inductance Code	Inductance	Inductance Tolerance	DCR	DCR Tolerance	Saturation Current	Temperature Rise Current
Units	μH	%	mΩ	%	A	A
Symbol	L	M	DCR		Isat	Irms
ASPI-0410FS-1R0	1.0	N	100	±20%	1.80	1.05
ASPI-0410FS-2R2	2.2	N	150		1.15	0.89
ASPI-0410FS-3R3	3.3	M	180		1.10	0.82
ASPI-0410FS-4R7	4.7	M	210		0.90	0.75
ASPI-0410FS-6R8	6.8	M	300		0.74	0.62
ASPI-0410FS-100	10	M	380		0.56	0.60
ASPI-0410FS-150	15	M	510		0.47	0.51
ASPI-0410FS-220	22	M	870		0.36	0.40
ASPI-0410FS-330	33	M	1540		0.28	0.30
ASPI-0410FS-470	47	M	1810		0.24	0.28

Test Conditions

1. Isat : Based on inductance change ($\Delta L/L_0 : \leq -30\%$)
2. Irms : Based on temperature rise ($\Delta T : 40^\circ\text{C TYP.}$)
3. Test Freq: 100KHz, 1Vrms

OPTIONS AND PART IDENTIFICATION

ASPI-0410FS- [] [] - []

Inductance Code
Please refer to the Electrical Spec Table

Tolerance
N: ±30%*
M: ±20%*

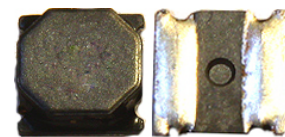
Packaging
T4: Tape and Reel (4kpcs / reel)

*N for L = 1.0 and 2.2μH

*M for L = 3.3 ~ 47μH



ULTRA LOW PROFILE SHIELDED SMD CHIP POWER INDUCTOR



4.0 x 4.0 x 1.0mm

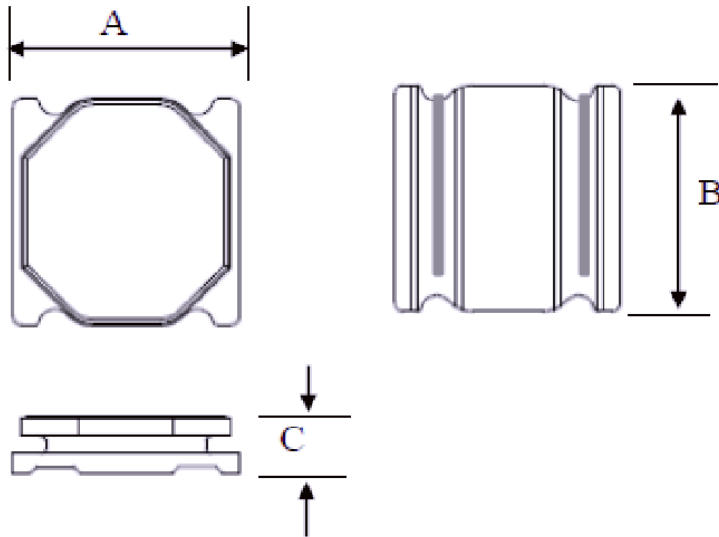
ASPI-0410FS



RoHS
Compliant

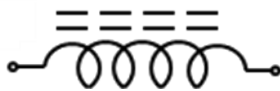
OUTLINE DRAWING:

Mechanical Dimensions



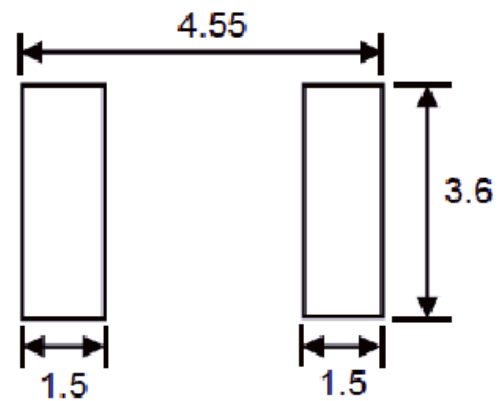
A	B	C Max.
4.0±0.2	4.0±0.2	1.0

Circuit Schematic



No Polarity

Recommended Land Pattern

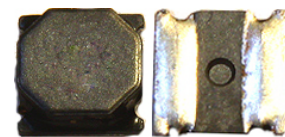


Materials

Part Name	Material
Core	Ni-Zn Ferrite
Terminals	Ag/Cu/Sn
Wire	Cu/Modified Polyester Resin
Ferrite Glue	Silicon Base Resin

Dimension: mm

ULTRA LOW PROFILE SHIELDED SMD CHIP POWER INDUCTOR



4.0 x 4.0 x 1.0mm

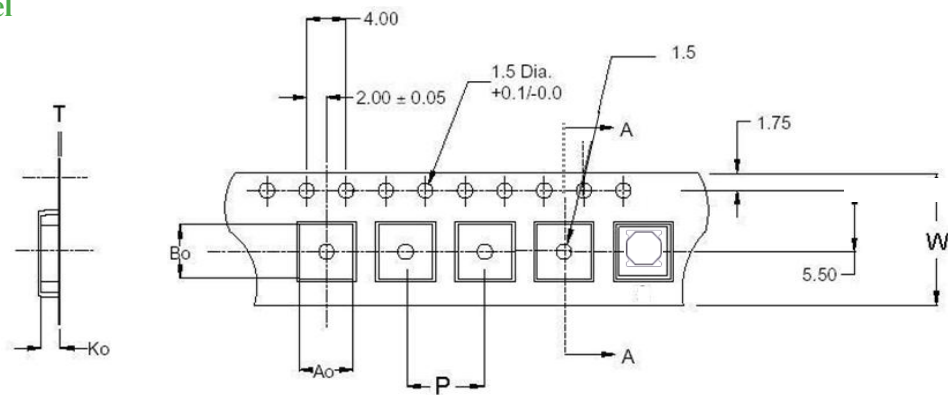
ASPI-0410FS



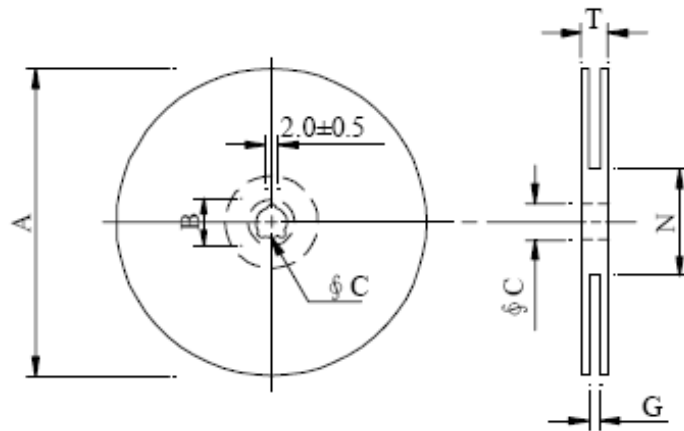
RoHS
Compliant

TAPE & REEL:

T4: 4,000pcs / reel



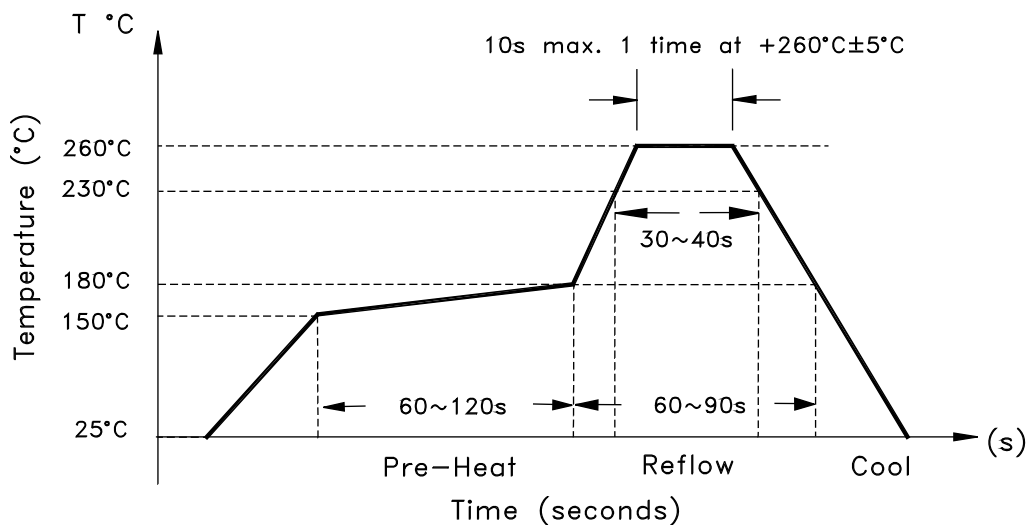
Ao	4.60
Bo	4.35
Ko	1.35
W	12.00
P	8.00
T	0.30



A	330
B	21.0±0.8
C	13.5±0.5
G	12.6
N	99.5
T	17.2

Dimension: mm

REFLOW PROFILE:



ATTENTION: Abracon Corporation's products are COTS – Commercial-Off-The-Shelf products; suitable for Commercial, Industrial and, where designated, Automotive Applications. Abracon's products are not specifically designed for Military, Aviation, Aerospace, Life-dependant Medical applications or any application requiring high reliability where component failure could result in loss of life and/or property. For applications requiring high reliability and/or presenting an extreme operating environment, written consent and authorization from Abracon Corporation is required. Please contact Abracon Corporation for more information.

ABRACON IS
ISO9001:2008
CERTIFIED



Visit www.abracon.com for Terms & Conditions of Sale
30332 Esperanza, Rancho Santa Margarita, California 92688
tel 949-546-8000 | fax 949-546-8001 | www.abracon.com

Revised: 05.09.12