

mm inch

FEATURES

1. Space saving, Vertical size with a maximum thickness of 4.5 mm.

Mounting space has been reduced to 30% (compared to conventional SSR's) while meeting high density PC board mounting requirements.

2. 1A and 2A load types available

3. Zero-cross type and Non zero-cross type available

4. High dielectric strength of 3,000V AC

(between input and output)

5. Snubber circuit integrated

The snubber circuit is integrated to prevent malfunction caused by the rapid rise of voltage on the output side, such as inductive load and current.

TYPES

Type	Load current	Load voltage	Input voltage	Part No.
Zero-cross	1A	75 to 264 V AC	5 V DC	AQG12105
			12 V DC	AQG12112
			24 V DC	AQG12124
	2A	75 to 264 V AC	5 V DC	AQG22105
			12 V DC	AQG22112
			24 V DC	AQG22124
Non zero-cross	1A	75 to 264 V AC	5 V DC	AQG12205
			12 V DC	AQG12212
			24 V DC	AQG12224
	2A	75 to 264 V AC	5 V DC	AQG22205
			12 V DC	AQG22212
			24 V DC	AQG22224

TYPICAL APPLICATIONS

- Manufacturing equipment
 - NC machines
 - Injection molders
 - Robots
- Air conditioners
- Computers

ORDERING INFORMATION

Ex. AQG 1 2 1 0 5

Load current	Load voltage	Type	Input voltage
1: 1 A 2: 2 A	2: 75 to 264 V AC	1: Zero-cross (3,000 V) 2: Non zero-cross (3,000 V)	05: 5 V DC 12: 12 V DC 24: 24 V DC

(Note) Standard packing: Carton 20 pcs., Case 500 pcs.

SPECIFICATIONS

1. Ratings (at 20°C 68°F, Input voltage ripple: 1% or less)

1) Zero-cross type

Item	Type	Part No.						Remarks
		AQG12105	AQG12112	AQG12124	AQG22105	AQG22112	AQG22124	
Input side	Input voltage	4 to 6 V DC	9.6 to 14.4 V DC	19.2 to 28.8 V DC	4 to 6 V DC	9.6 to 14.4 V DC	19.2 to 28.8 V DC	
	Input impedance	Approx. 0.3k Ω	Approx. 0.8k Ω	Approx. 1.6k Ω	Approx. 0.3k Ω	Approx. 0.8k Ω	Approx. 1.6k Ω	
	Drop-out voltage, min.	1 V						
	Reverse voltage	3 V						
Load side	Max. load current	1 A AC			2 A AC			
	Load voltage	75 to 264 V AC						
	Frequency	45 to 65 Hz						
	Non-repetitive surge current	8 A			30 A			In one cycle at 60 Hz
	Max. "OFF-state" leakage current	1.5 mA (applied 200 V)						
	Max. "ON-state" voltage drop	1.6 V						at Max. carrying current
	Min. load current	20 mA						

2) Non zero-cross type

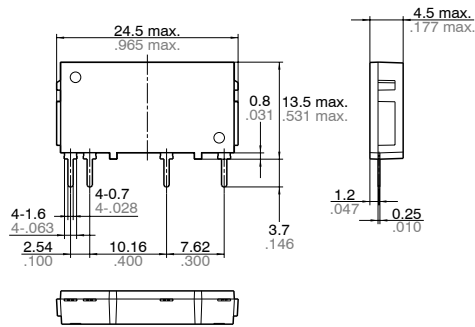
Item	Type	Part No.						Remarks
		AQG12205	AQG12212	AQG12224	AQG22205	AQG22212	AQG22224	
Input side	Input voltage	4 to 6 V DC	9.6 to 14.4 V DC	19.2 to 28.8 V DC	4 to 6 V DC	9.6 to 14.4 V DC	19.2 to 28.8 V DC	
	Input impedance	Approx. 0.3k Ω	Approx. 0.8k Ω	Approx. 1.6k Ω	Approx. 0.3k Ω	Approx. 0.8k Ω	Approx. 1.6k Ω	
	Drop-out voltage, min.	1 V						
	Reverse voltage	3 V						
Load side	Max. load current	1 A AC			2 A AC			
	Load voltage	75 to 264 V AC						
	Frequency	45 to 65 Hz						
	Non-repetitive surge current	8 A			30 A			In one cycle at 60 Hz
	Max. "OFF-state" leakage current	1.5 mA (applied 200 V)						
	Max. "ON-state" voltage drop	1.6 V						at Max. carrying current
	Min. load current	20 mA						

2. Characteristics (at 20°C 68°F, Input voltage ripple: 1% or less)

Item	Zero-cross type	Non zero-cross type	Remarks
Operate time max.	(1/2 cycle of voltage sine wave) + 1 ms	1 ms	
Release time, max.	(1/2 cycle of voltage sine wave) + 1 ms		
Insulation resistance, min.	10 ⁹ Ω between input and output		Using 500 V DC megger
Breakdown voltage	3,000 Vrms between input and output		Initial for 1 min.
Vibration resistance	10 to 55 Hz double amplitude of 0.75 mm		X, Y, Z axes
Shock resistance	1,000 m/s ²		X, Y, Z axes
Ambient temperature	-30°C to +80°C -22°F to +176°F		Non-condensing at low temperatures
Storage temperature	-30°C to +100°C -22°F to +212°F		
Operational method	Zero-cross (Turn-ON and Turn-OFF)	Non zero-cross turn ON, Zero-cross turn OFF	

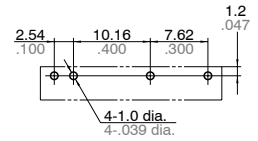
DIMENSIONS

1. 1A type



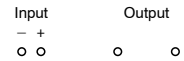
General tolerance: $\pm 0.2 \pm .008$

PC board pattern (Bottom view)

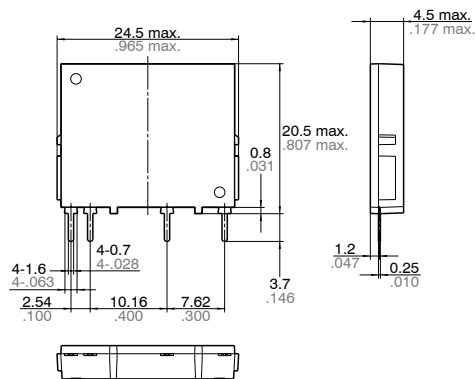


Tolerance: $\pm 0.1 \pm .004$

Schematic AC type

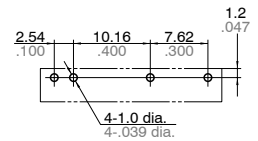


2. 2A type



General tolerance: $\pm 0.2 \pm .008$

PC board pattern (Bottom view)



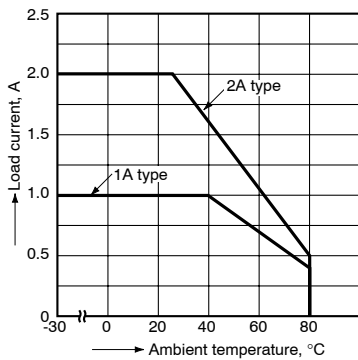
Tolerance: $\pm 0.1 \pm .004$

Schematic AC type

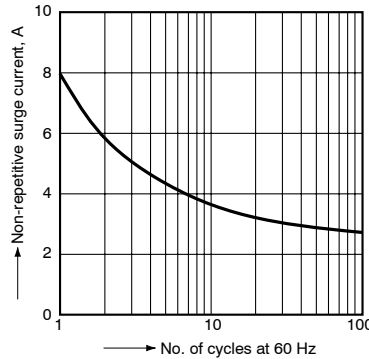


REFERENCE DATA

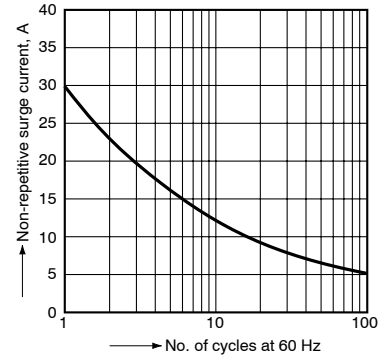
1. Load current vs. ambient temperature



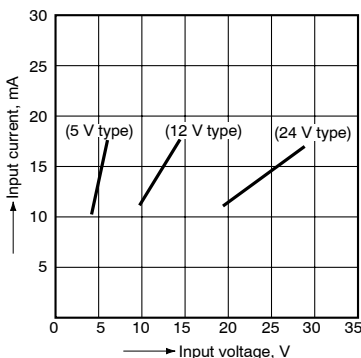
2-(1) Non-repetitive surge current vs. carrying time (1A type)



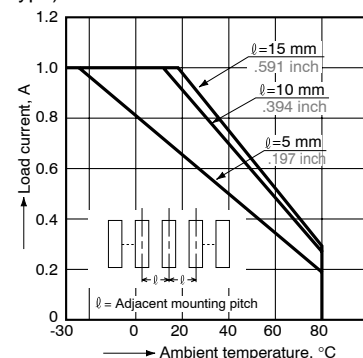
2-(2) Non-repetitive surge current vs. carrying time (2A type)



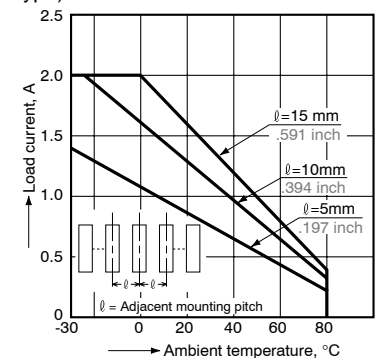
3. Input current vs. input voltage characteristics



4-(1) Load current vs. ambient temperature characteristics for adjacent mounting (1A type)



4-(2) Load current vs. ambient temperature characteristics for adjacent mounting (2A type)



Cautions for Use