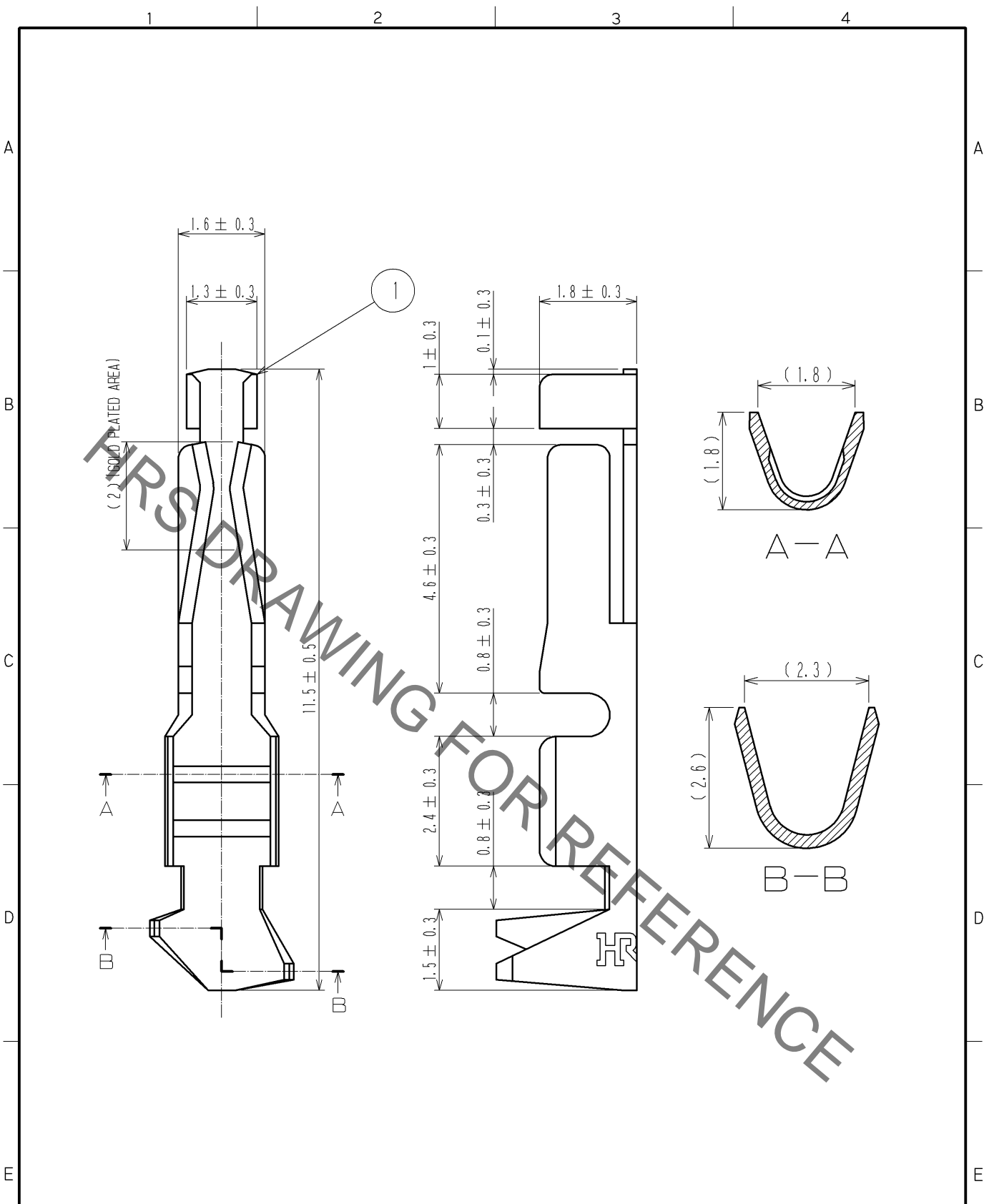


Jun.1.2019 Copyright 2019 HIROSE ELECTRIC CO., LTD. All Rights Reserved.  
 In case of consideration for using Automotive equipment / device which demand high reliability, kindly contact our sales window correspondents.



NOTE 1 THE DIMENSIONS IN PARENTHESES ARE FOR REFERENCE.

NO.		MATERIAL		FINISH . REMARKS		NO.		MATERIAL		FINISH . REMARKS	
1		PHOSPHOR BRONZE				1		PHOSPHOR BRONZE		CONTACT AREA:GOLD 0.2μm min. UNDER PLATING:NICKEL 0.5μm min.	

UNITS mm		SCALE 10:1	COUNT 	DESCRIPTION OF REVISIONS	DESIGNED	CHECKED	DATE
-------------	--	---------------	-----------	--------------------------	----------	---------	------

<b>HRS</b> HIROSE ELECTRIC CO., LTD.	APPROVED : HS. OZAWA	07. 11. 20	DRAWING NO.	EDC4-018793-00
	CHECKED : HS. OZAWA	07. 11. 20	PART NO.	A1-2226SCC
	DESIGNED : SY. KAMIGA	07. 11. 20	CODE NO.	CL619-0214-8-00
	DRAWN : HK. SUNADORI	07. 11. 20		