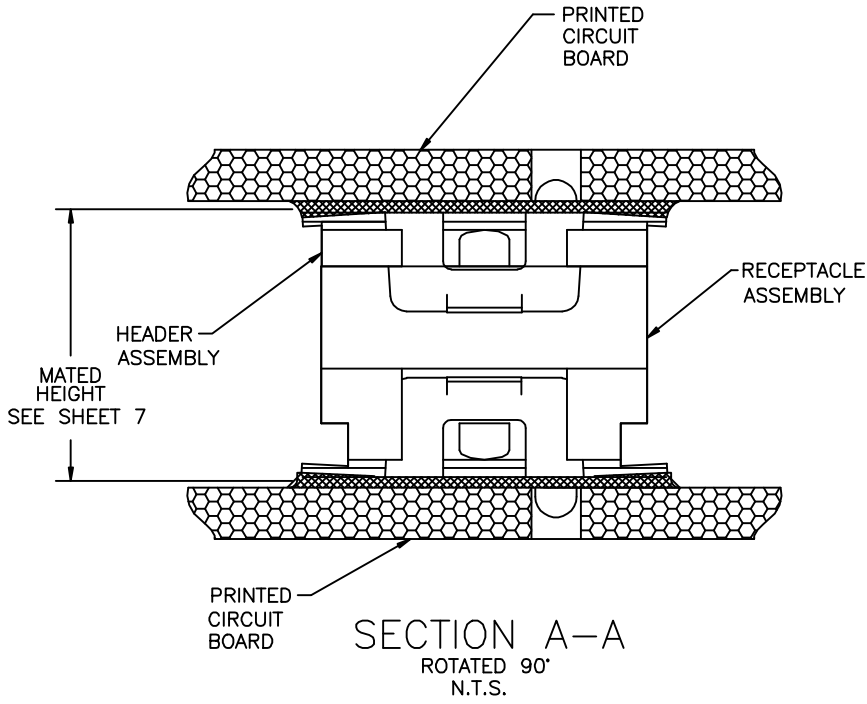
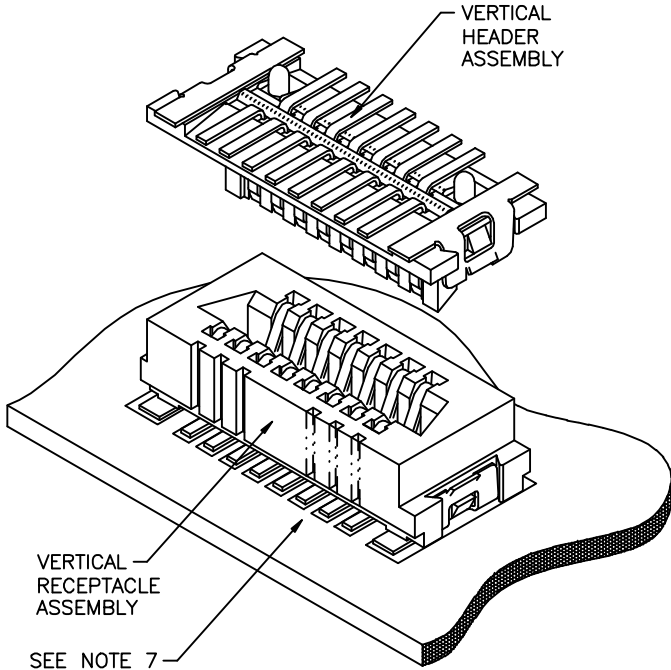


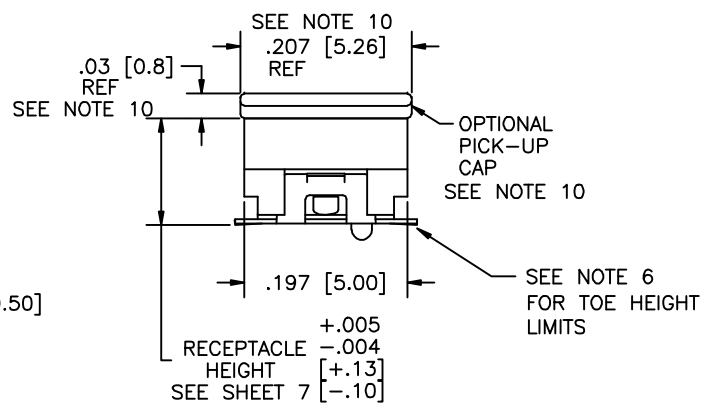
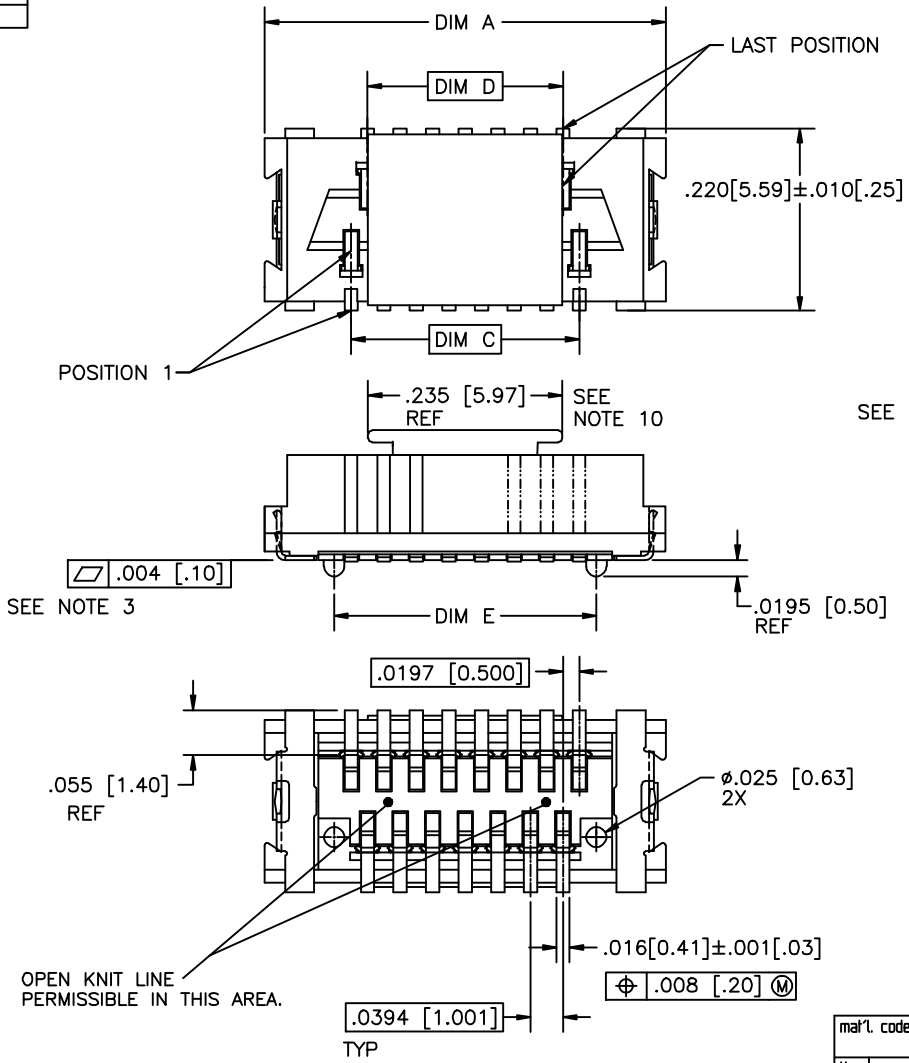
PRODUCT NUMBER
SEE TABLE



Copyright FCI

mat'l. code				surface	tolerance	projection	product family
				ISO 1902	ISO 406 ISO 1101		CONAN
ltr	ecn no	dr	date	tolerances unless otherwise specified			title
Y	V03-1347	AA	12/20/01	angles	XXX.01/XXX.03		
AA	M04-0190	MHT	9/24/04	linear	XXX.006/XXX.013	scale 5:1	CONAN™ CONNECTOR ASSEMBLY
AB	M05-0110	MHT	5/26/05	0'±2'	XXX.0020/XXX.0051		
AC	M06-0232	AGS	06/12/08	dr	R.SEIPLE 11/13/91	sheet 1 of 7 size A3	
AD	M06-0373	MHT	9/26/06	engr	D.HORCHLER 01/10/92		type Product Customer Drawing
AE	M08-0012	AGS	1/11/08	chr	D.HORCHLER 01/10/92		
AF	M08-0287	MHT	10/02/08	appd	D.HORCHLER 01/10/92		
sheet	revision	AF	AF	AF	AF	AF	
index	sheet	1	2	3	4	5	6

PRODUCT NUMBER
SEE TABLE



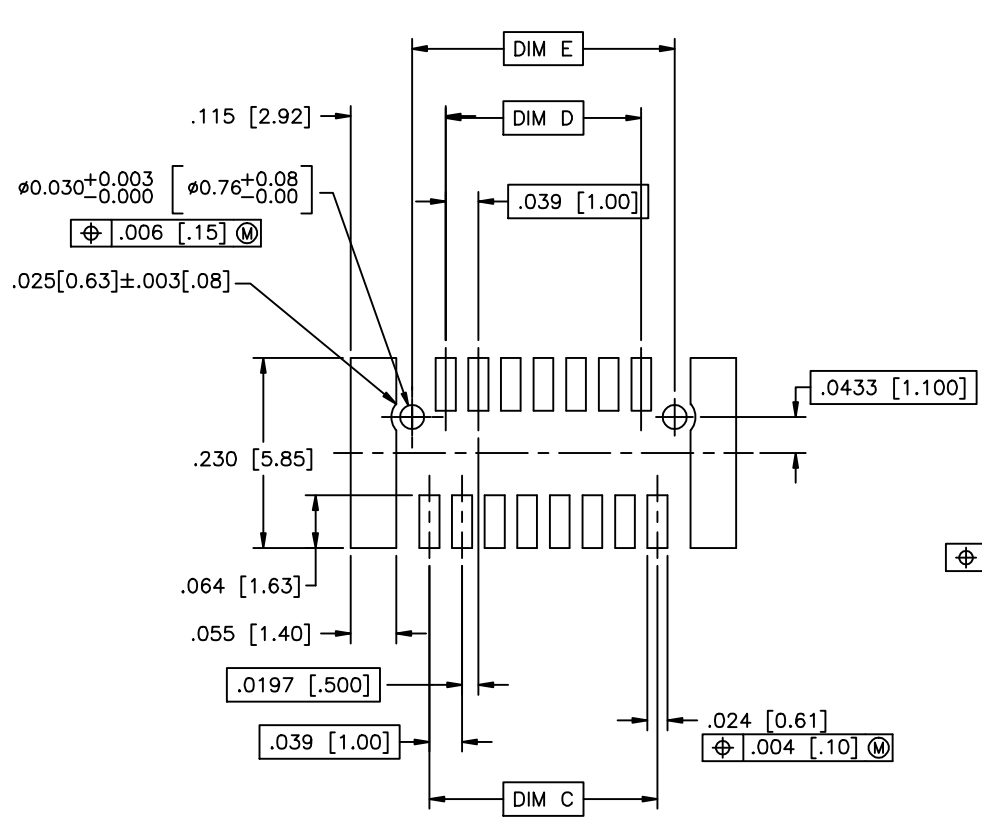
mat'l. code		surface	ISO 1902	tolerance	ISO 406	projection	product family													
ltr		ecn no	dr	date	ISO 1101	 INCH/MM	CONAN													
AF		tolerances unless otherwise specified			linear		<table border="1"> <tr> <td>XXX.01/XX0.3</td> </tr> <tr> <td>XXX±.005/XX±0.13</td> </tr> <tr> <td>XXX±.0020/XX±0.051</td> </tr> </table>	XXX.01/XX0.3	XXX±.005/XX±0.13	XXX±.0020/XX±0.051	<table border="1"> <tr> <td>scale 5:1</td> </tr> </table>	scale 5:1	<table border="1"> <tr> <td>title</td> <td>CONAN™ CONNECTOR ASSEMBLY</td> </tr> <tr> <td>dwg no</td> <td>91900</td> </tr> <tr> <td>sheet 2 of 7</td> <td>size A3</td> </tr> <tr> <td>type</td> <td>Product Customer Drawing</td> </tr> </table>	title	CONAN™ CONNECTOR ASSEMBLY	dwg no	91900	sheet 2 of 7	size A3	type
XXX.01/XX0.3																				
XXX±.005/XX±0.13																				
XXX±.0020/XX±0.051																				
scale 5:1																				
title	CONAN™ CONNECTOR ASSEMBLY																			
dwg no	91900																			
sheet 2 of 7	size A3																			
type	Product Customer Drawing																			
dr	R.SEIPLE	11/13/91																		
engr	D.HORCHLER	01/10/92																		
chr	D.HORCHLER	01/10/92																		
appd	D.HORCHLER	01/10/92																		
sheet index	revision sheet																			



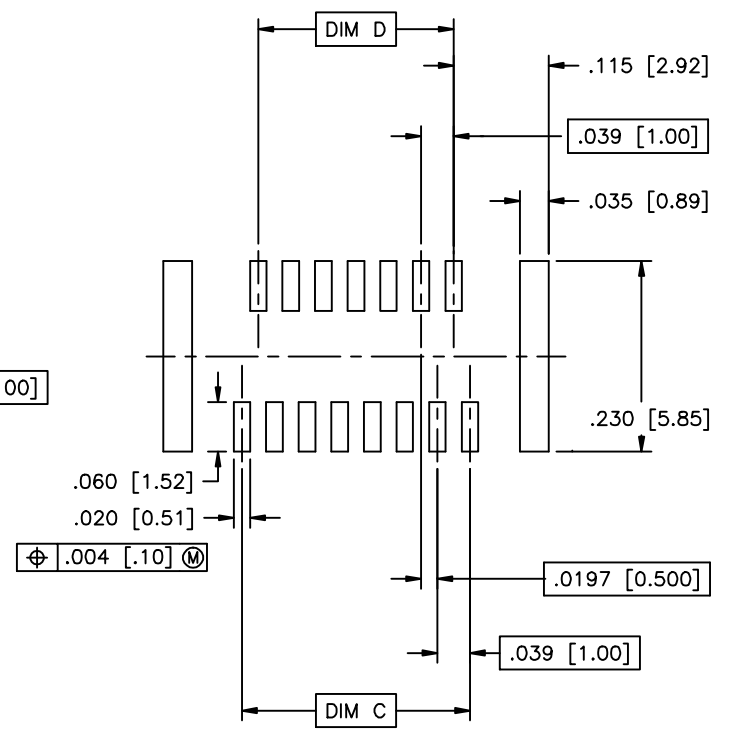
Copyright FCJ

form A3

PRODUCT NUMBER
SEE TABLE



RECOMMENDED
PAD LAYOUT



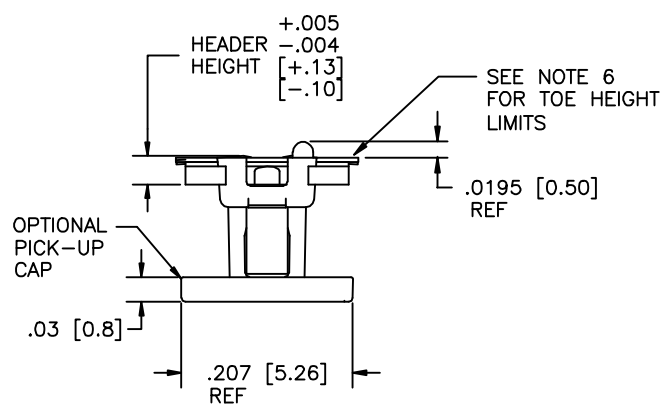
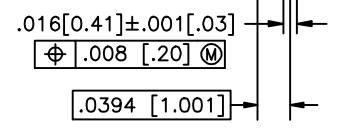
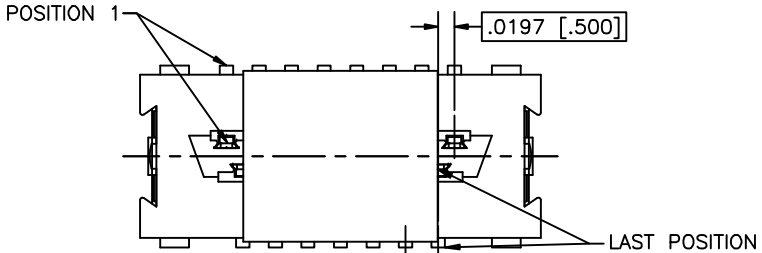
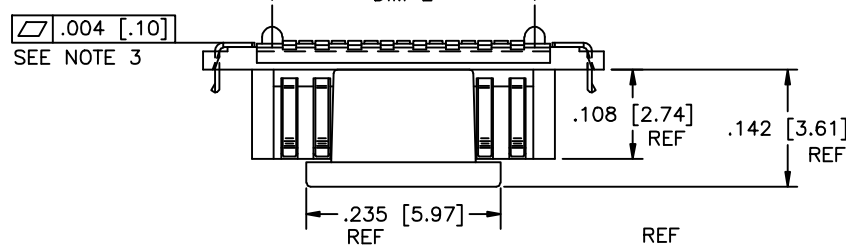
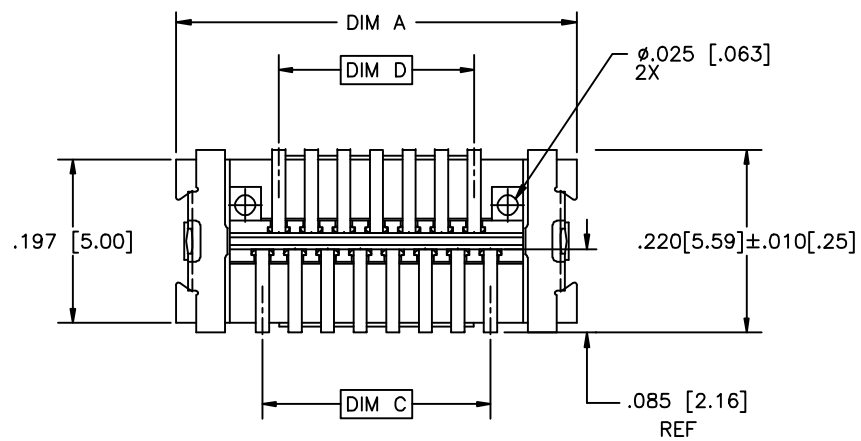
RECOMMENDED
STENCIL LAYOUT
FOR RECEPTACLE



Copyright FCJ

mat'l. code		surface ISO 1902		tolerance ISO 406 ISO 7001		projection 		product family CONAN	
ltr	ecn no	dr	date	tolerances unless otherwise specified				title CONAN™ CONNECTOR ASSEMBLY	
AF				angles	linear	INCH/MM		scale 5:1	
				0° ± 2'				sheet 3 of 7 size	
				dr	R.SEIPLE	11/13/91			91900
				engr	D.HORCHLER	01/10/92			A3
				chr	D.HORCHLER	01/10/92			
				appd	D.HORCHLER	01/10/92			
sheet index	revision sheet							type Product Customer Drawing	

PRODUCT NUMBER
SEE TABLE



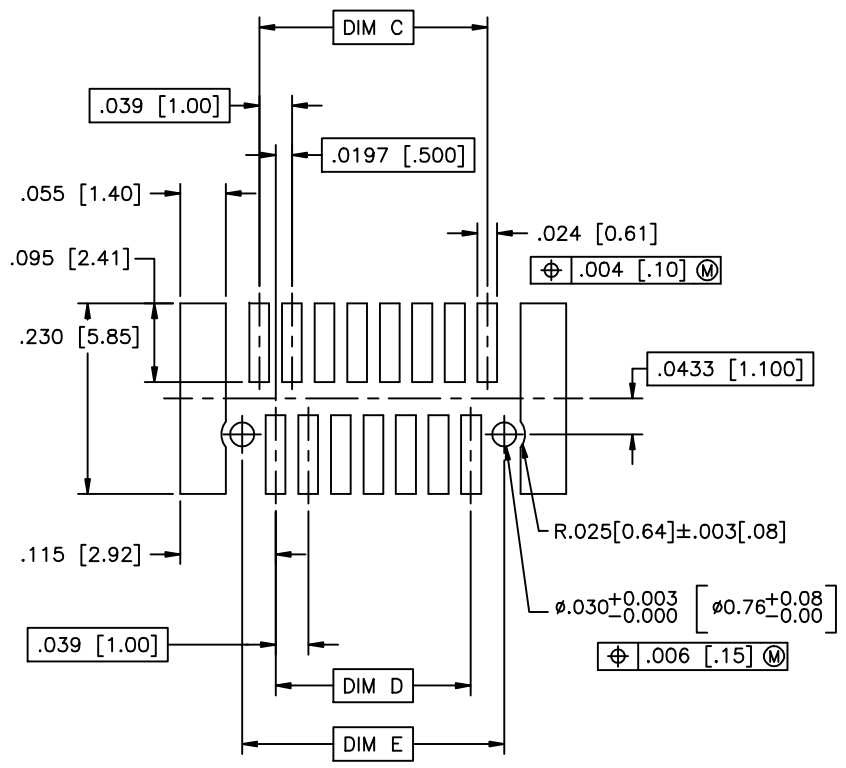
mat'l. code		surface		ISO 1902	tolerance	ISO 406	projection	product family	
ltr		ecp no	dr	date	tolerances unless otherwise specified		INCH/MM	CONAN	
AF					angles	linear		title	
					0° ± 2'	XXX±.01/XXX±0.3	CONAN™ CONNECTOR ASSEMBLY		
						XXX±.006/XXX±0.13	scale 5:1		
						XXX±.0020/XXX±0.051	dwg no		
					dr	R.SEIPLE	11/13/91	sheet 4 of 7	size
					engr	D.HORCHLER	01/10/92	91900	A3
					chr	D.HORCHLER	01/10/92	type	
					appd	D.HORCHLER	01/10/92	Product Customer Drawing	
sheet	revision								
index	sheet								



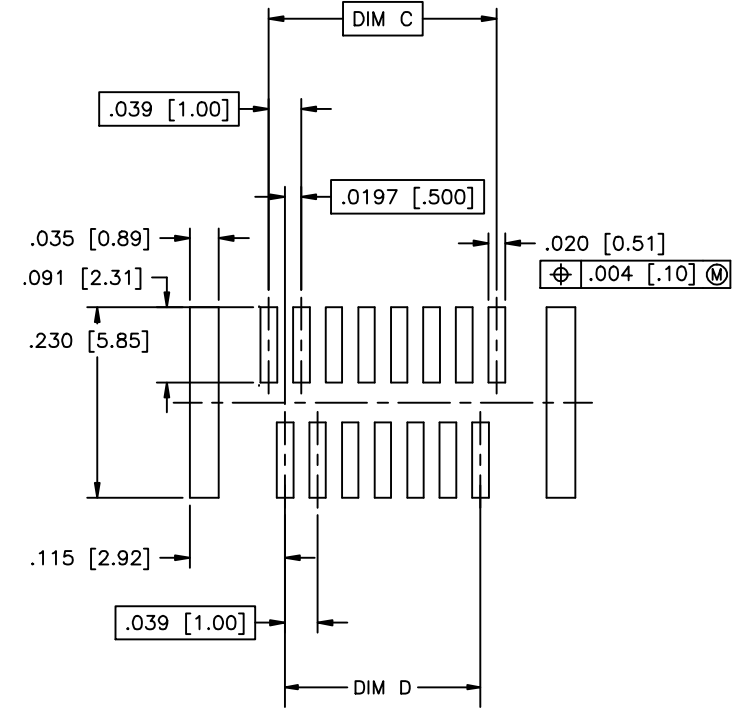
Copyright FCJ

form A3

PRODUCT NUMBER
SEE TABLE



RECOMMENDED
PAD LAYOUT



RECOMMENDED
STENCIL LAYOUT
FOR HEADER



Copyright FCJ

mat'l. code		surface ISO 1902		tolerance ISO 406 ISO 7001		projection FIRST ANGLE		product family CONAN	
ltr	ecn no	dr	date	tolerances unless otherwise specified		INCH/MM		title CONAN™ CONNECTOR ASSEMBLY	
AF				angles	linear	scale 5:1		dwg no 91900	
				0'±2'	XXX±.01/XXX±.03 XXX±.006/XXX±.013 XXX±.0020/XXX±.0051			sheet 5 of 7 size A3	
				dr	R.SEIPLE 11/13/91			type Product Customer Drawing	
				engr	D.HORCHLER 01/10/92				
				chr	D.HORCHLER 01/10/92				
				appd	D.HORCHLER 01/10/92				
sheet index	revision sheet								

PRODUCT NUMBER	POS	DIM "A"	DIM "C"	DIM "D"	DIM "E"
919TC-WXY09	9	.366 [9.30]	.157 [4.00]	.118 [3.00]	.1990 [5.055]
-WXY09LF					
-WXY11	11	.406 [10.30]	.197 [5.00]	.157 [4.00]	.2380 [6.045]
-WXY11LF					
-WXY15	15	.484 [12.30]	.276 [7.00]	.236 [6.00]	.3170 [8.052]
-WXY15LF					
-WXY21	21	.602 [15.30]	.394 [10.00]	.354 [9.00]	.4350 [11.049]
-WXY21LF					
-WXY25	25	.681 [17.30]	.472 [12.00]	.433 [11.00]	.5140 [13.056]
-WXY25LF					
-WXY31	31	.800 [20.30]	.591 [15.00]	.551 [14.00]	.6320 [16.053]
-WXY31LF					
-WXY41	41	.996 [25.30]	.787 [20.00]	.748 [19.00]	.8290 [21.057]
-WXY41LF					
-WXY51	51	1.193 [30.30]	.984 [25.00]	.945 [24.00]	1.0260 [26.060]
-WXY51LF					
-WXY69	69	1.547 [39.30]	1.339 [34.00]	1.299 [33.00]	1.3800 [35.052]
-WXY69LF					

NOTES:

1. MATERIALS:

RECEPTACLE HOUSING - LCP, UL-94V-0. COLOR: NATURAL.

RECEPTACLE TERMINALS - COPPER ALLOY, PLATED WITH 15u"/.38u GXT™ IN CONTACT AREA AND 100u"/2.54u Sn ON SOLDER LEGS WITH AN OVERALL 50u"/1.27u Ni UNDERPLATE.

HEADER HOUSING - LCP, UL-94V-0. COLOR: NATURAL.

HEADER TERMINALS - COPPER ALLOY, PLATED WITH 15u"/.38u GXT™ IN CONTACT AREA AND 100u"/2.54u Sn ON SOLDER LEGS WITH AN OVERALL 50u"/1.27u Ni UNDERPLATE.

RETENTION DEVICE - BRASS, PLATED WITH 100u"/2.54u Sn OVER NICKEL.

2. REFERENCE GS-12-006 FOR PRODUCT PERFORMANCE DATA.

③ SEE TA-774 FOR FURTHER DESCRIPTION OF HOW THIS DIMENSION IS APPLIED.

④ PICK AND PLACE CAP OR TAPE IS ONLY AVAILABLE WITH OPTION 3 PACKAGING. (PSA ADHESIVE SEALED). ALSO, PSA PACKAGING REQUIRES A PICK AND PLACE CAP.

5. RECOMMENDED SOLDER PASTE THICKNESS IS .006 TO .008 INCHES THICK.

⑥ THE TOE HEIGHT OF THE SOLDER TAIL SHALL BE MEASURED FROM THE LOWEST POINT OF THE .004 CO-PLANARITY GRAVITY PLANE. THIS MEASUREMENT IS NOT TO EXCEED A WINDOW OF .000 TO .007 INCHES.

⑦ THREE SLOTS MAY BE LOCATED AT EITHER END OF HOUSING.

⑧ 5.50mm MATED HEIGHT IS ONLY AVAILABLE IN 9, 15 AND 31 POS.

⑨ 7.50mm MATED HEIGHT IS ONLY AVAILABLE IN 9 POS.

⑩ APPLIES TO 91921-3XYZZ AND 91931-3XYZZ OPTIONS ONLY.

11. THE HOUSING WILL WITHSTAND EXPOSURE TO 260°C PEAK TEMPERATURE FOR 30 SECONDS IN A CONVECTION INFRA RED OR VAPOR PHASE REFLOW OVEN. SEE APPLICATION/PROCEDURES IF THEY ARE AVAILABLE

⑫ PRODUCT WITH "LF" AT THE END MEETS EUROPEAN UNION DIRECTIVES AND OTHER COUNTRY REGULATION AS DESCRIBED IN GS-22-008.



FCIconnect.com

Copyright FCI

mat'l. code		surface		tolerance		projection		product family	
		ISO 1902		ISO 406				CONAN	
ltr		ecn no		dr		date		title	
AF								CONAN™ CONNECTOR ASSEMBLY	
		angles		linear				INCH/MM	
		0° ± 2'		XXX±.01/XXX.03		XXX±.006/XXX±0.13		scale 5:1	
dr		R.SEIPLE		11/13/91				dwg no	
engr		D.HORCHLER		01/10/92				sheet 6 of 7	
chr		D.HORCHLER		01/10/92				size	
appd		D.HORCHLER		01/10/92				A3	
sheet		revision						type	
index		sheet						Product Customer Drawing	

PRODUCT NUMBER
SEE TABLE

CONAN ASSEMBLY PART NUMBER

919 T C - W X Y ZZ LF

LEAD FREE OPTION
SEE NOTE 12

TYPE	T
HEADER WITH NO PEGS	0
HEADER WITH PEGS	1
RECEPTACLE WITH NO PEGS	2
RECEPTACLE WITH PEGS	3

PICK AND PLACE CAP OR TAPE (NOTE 4)	C
WITHOUT CAP OR TAPE	0
WITH CAP	1
WITH TAPE (RECEPTACLE ONLY)	2

PACKAGING	W
TUBE	2
PRESSURE SEALED TAPE & REEL	3

NOTE 4

Y	HEADER HEIGHT	RECEPTACLE HEIGHT	MATED HEIGHT + .010 - .008 [+ .25] [- .20]
1	.034 [.86]	.129 [3.28]	.163 [4.15]
2	.048 [1.23]	SEE Y=1 FOR ALL RECEPTACLES	.177 [4.50]
3	.068 [1.73]		.197 [5.00]
4	.107 [2.72]		.236 [6.00]
5	.1465 [3.721]		.276 [7.00]
* 6	.088 [2.23]		.216 [5.50]
** 7	.1665 [4.229]		.296 [7.52]

* NOTE 8
** NOTE 9

X	PLATING
1	15u"/.38u GXT™
2	30u"/.76u GXT™

ZZ	NUMBER OF POSITIONS
09	9
11	11
15	15
21	21
25	25
31	31
41	41
51	51
69	69

EXAMPLE: 91921-31125LF
IS A CONAN RECEPTACLE ASSEMBLY,
HAVING NO PEGS AND WITH A PICK AND PLACE CAP.
IT ALSO HAS GXT™ PLATING, IS .13 [3.2] HIGH AND 25
POSITIONS AND IS PACKAGED IN PRESSURE SEALED TAPE,
REEL AND LEAD FREE.

mat'l. code		surface ISO 902	tolerance ISO 406 ISO 1101	projection 	product family CONAN
ltr	ecn no	dr	date	title CONAN™ CONNECTOR ASSEMBLY	
AF				INCH/MM 	scale 5:1
angles		linear	XXX±.01/XX±0.3 XXX±.006/XX±0.13 XXX±.0020/XX±0.05	dwg no 91900	
dr		R.SEIPLE	11/13/91	sheet 7 of 7 size A3	
engr		D.HORCHLER	01/10/92	type Product Customer Drawing	
chr		D.HORCHLER	01/10/92		
appd		D.HORCHLER	01/10/92		
sheet	revision				
index	sheet				



Copyright FCJ

form A3