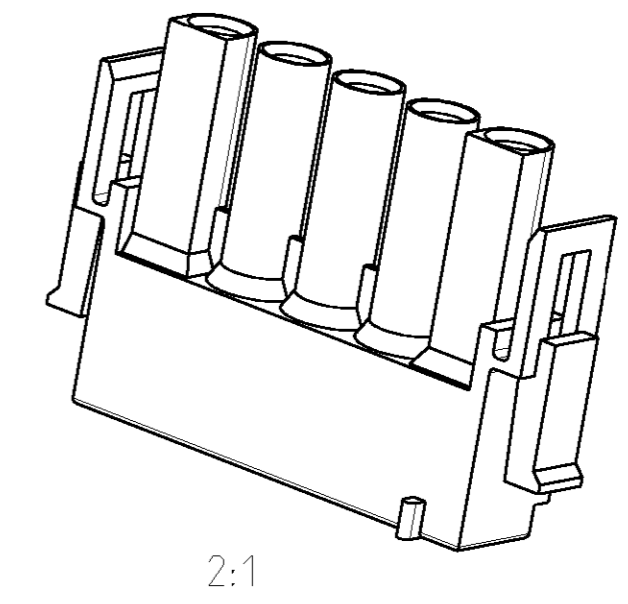
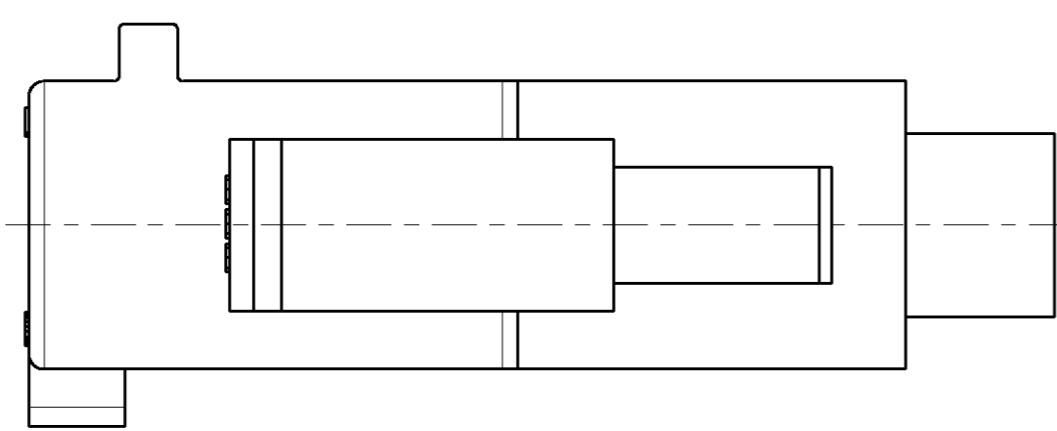
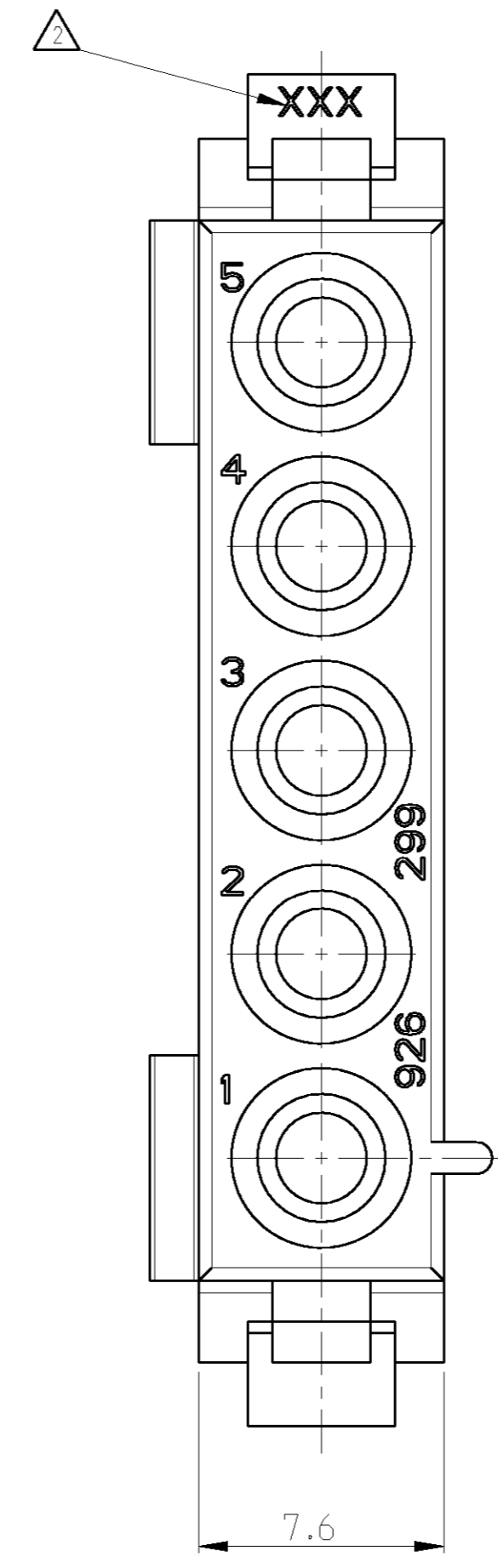
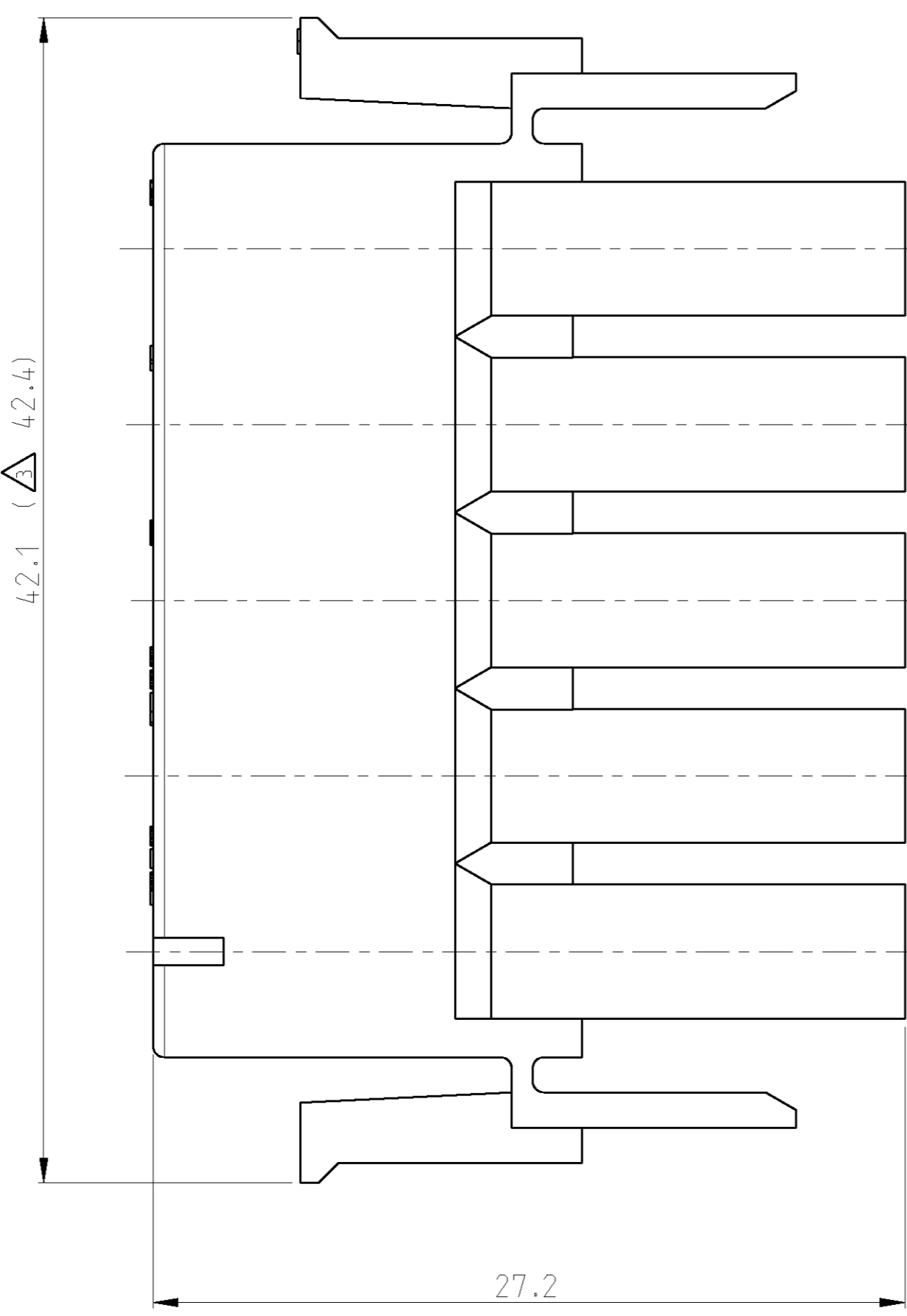
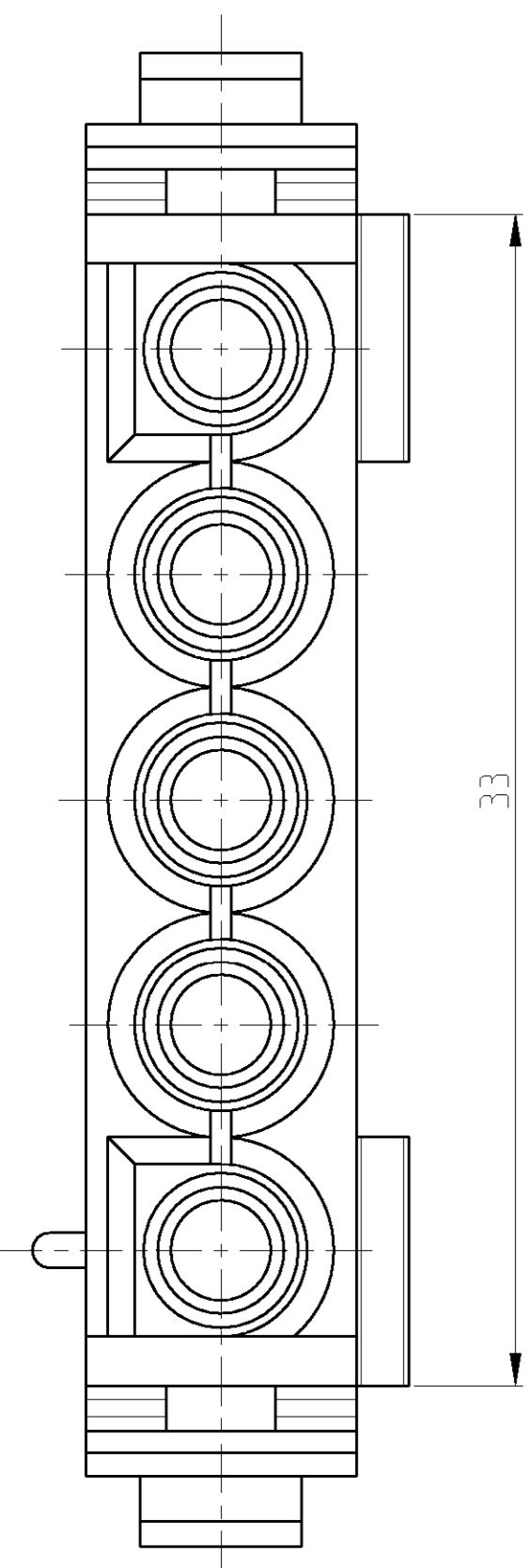


THIS DRAWING IS UNPUBLISHED. RELEASED FOR PUBLICATION 2003
 © COPYRIGHT 2003 BY TYCO ELECTRONICS CORPORATION. ALL RIGHTS RESERVED.

LOC	DIST	REVISIONS					
		P	LTR	DESCRIPTION	DATE	DWN	APVD
A1	-	F1		NEW CAD-DRAWING CREATED	22MAY2003	ABR	H.K.
		F2		VARIANTE -5 ADDED	31JUL2006	J.W.	W.H.



- Bemerkungen
NOTES
- ⚠ Neues Material (Phosphor und Halogen frei)
NEW MATERIAL (PHOSPHORUS AND HALOGENEOUS FREE)
 - ⚠ Hersteller-Logo und Ländercode
nach AMP-Spez. 115-18016
BRANDNAME AND MANUFACTURING LOCATION CODE
ACCORDING SPEC. 115-18016
 - ⚠ Glühdrahtprüfung 750 °C (ohne Flamme)
Maß 42.4 nur für Var. ...-5
GW.T. 750 °C (WITHOUT FLAME)
DIM 42.4 ONLY FOR VAR. ...-5

926299-5	F	PA6 UL94 V-0	⚠ natur NATURAL
926299-4	F	PA6.6 UL94 V-0	weiß WHITE
926299-3	F	PA6.6 UL94 V-0	⚠ natur NATURAL
926299-2	F	PA6.6 UL94 V-0	schwarz BLACK
926299-1	F	ZYTEL EFE 1030 NAT	natur NATURAL
PART NO.	REV.	MATERIAL	COLOR

THIS DRAWING IS A CONTROLLED DOCUMENT FOR TYCO ELECTRONICS CORPORATION
IT IS SUBJECT TO CHANGE AND THE CONTROLLING ENGINEERING ORGANIZATION
SHOULD BE CONTACTED FOR THE LATEST REVISION.

DIMENSIONS:		TOLERANCES UNLESS OTHERWISE SPECIFIED:	
mm			
0 PLC	±		
1 PLC	±		
2 PLC	± 0.2		
3 PLC	±		
4 PLC	±		
ANGLES	±		
FINISH			

MATERIAL SEE TABLE

DWN	Abraham.G.	22MAY03		tyco Electronics AMP GmbH	
CHK	Kampmann.H.	23MAY03		D - 64625 Bensheim	
APVD	-	-		NAME	
PRODUCT SPEC			5-pol. Steckergehäuse		
APPLICATION SPEC			5 WAY PLUG		
108-1031			-		
114-18011			SIZE	CAGE CODE	DRAWING NO.
WEIGHT			A2	00779	926299
CUSTOMER DRAWING			SCALE	SHEET	REV.
			5:1	1 OF 1	F2