

MATERIALS AND FINISHES

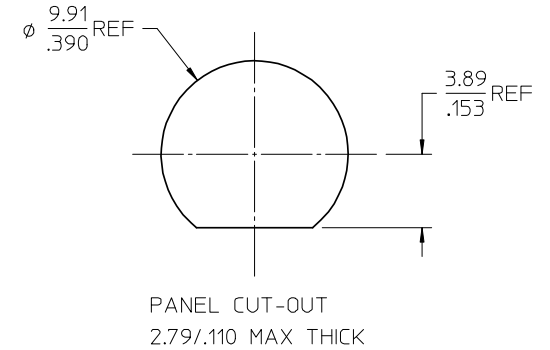
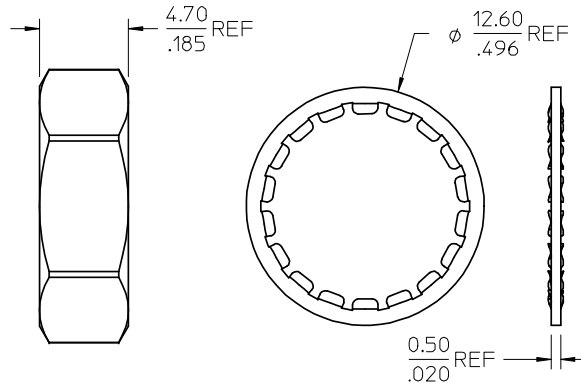
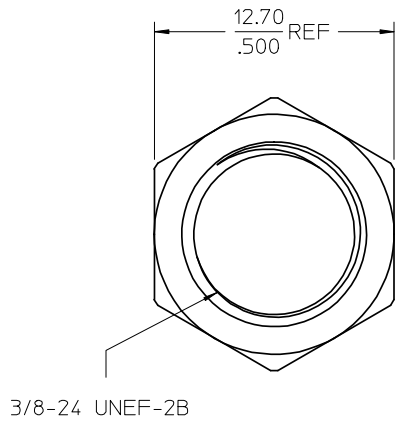
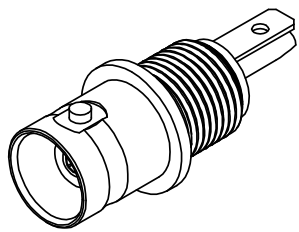
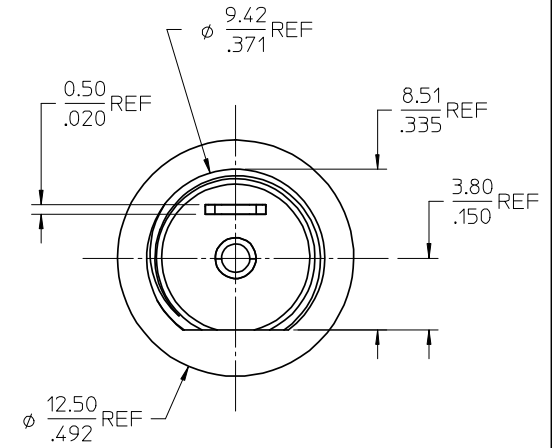
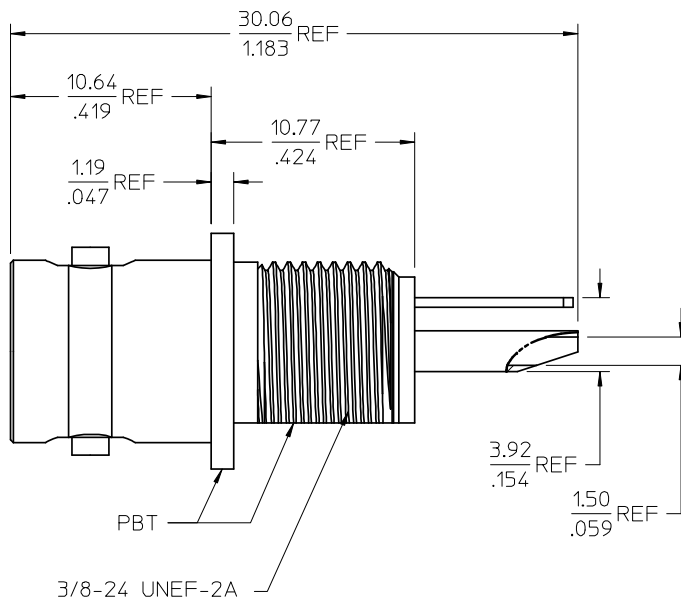
BODY, JAM NUT: BRASS
PLATED NICKEL

INSULATOR/FLANGE/THREADS: PBT (WHITE)

CONTACT: PHOSPHOR BRONZE
PLATED SILVER

LOCK WASHER: PHOSPHOR BRONZE
PLATED NICKEL

GROUND: BRASS
PLATED SILVER



PART # 73115-5001

ES-73599-0000	INTERFACE
PS-73598-0019	ELEC/MECH PERFORMANCE
SPECIFICATION	DESCRIPTION

CHG: REDREW IN SD AND LOADED INTO WM. EC NO: URF2008-0401 DRWN:ROBERTSON 2008/02/04 CHKD:SSHAH 2008/02/04 APPR:JWIENER 2008/02/04	QUALITY SYMBOLS	DESCRIPTION
	▽=0	
	▽=0	
	H1	REV

GENERAL TOLERANCES (UNLESS SPECIFIED)
4 PLACES ± --- ± ---
3 PLACES ± --- ± ---
2 PLACES ± --- ± ---
1 PLACE ± --- ± ---
ANGULAR ± 2 °
DRAFT WHERE APPLICABLE MUST REMAIN WITHIN DIMENSIONS

DIMENSION STYLE		SCALE	DESIGN UNITS	THIRD ANGLE PROJECTION
MM/IN			METRIC	
DRAWN BY	DATE	TITLE		
LILY	1992/01/16	BNC JACK 50 OHM BULKHEAD RECEPTACLE BNC-JR, EWR-3536		
CHECKED BY	DATE	MOLEX INCORPORATED		
V WANG	1995/10/14	MATERIAL NO. 731155001		
APPROVED BY	DATE	DOCUMENT NO. SD-73115-5001		
R FIELDS	1995/10/23	SHEET NO. 1 OF 1		

THIS DRAWING CONTAINS INFORMATION THAT IS PROPRIETARY TO MOLEX INCORPORATED AND SHOULD NOT BE USED WITHOUT WRITTEN PERMISSION