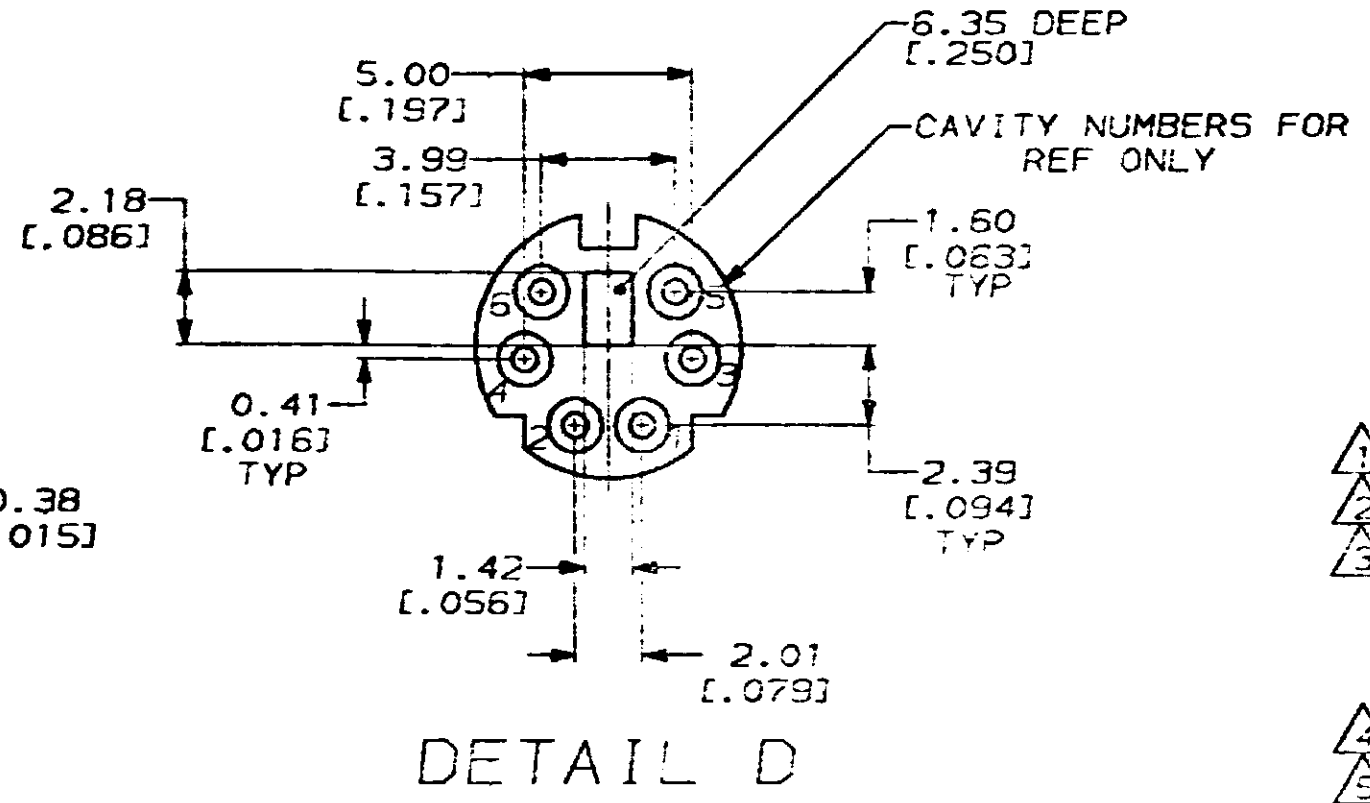
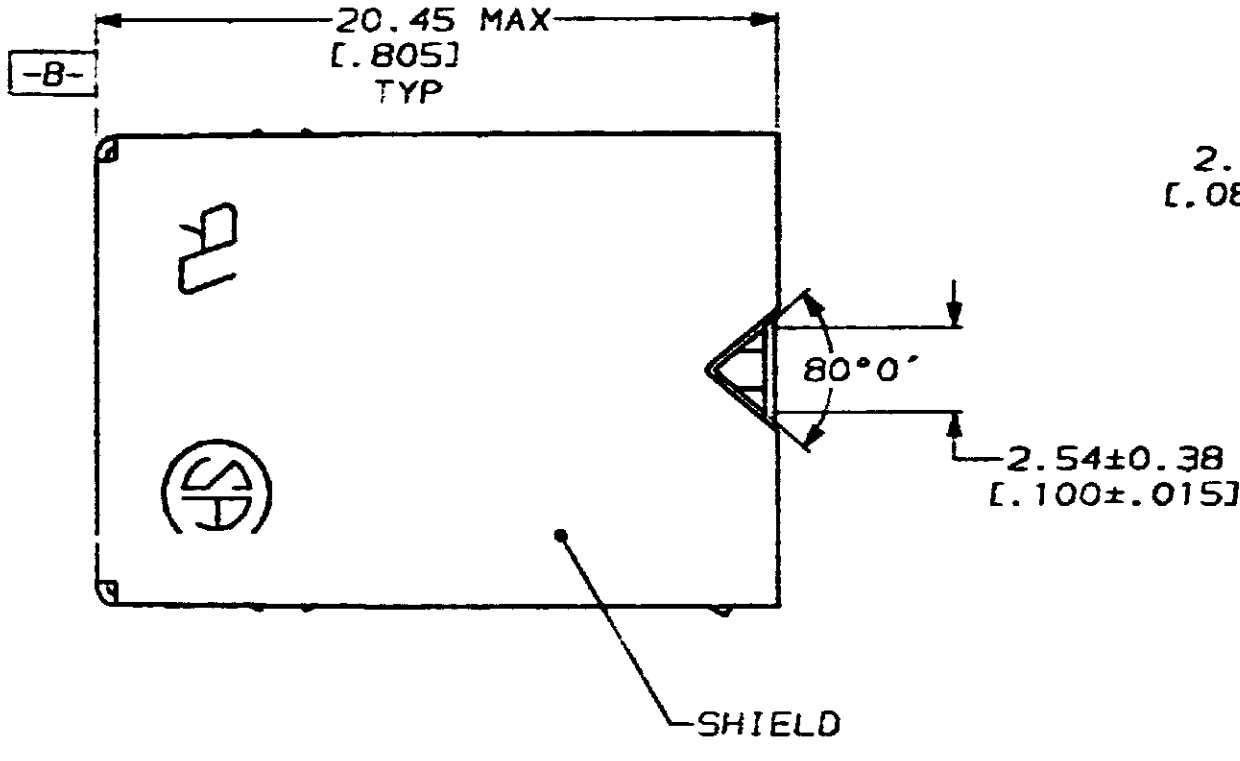
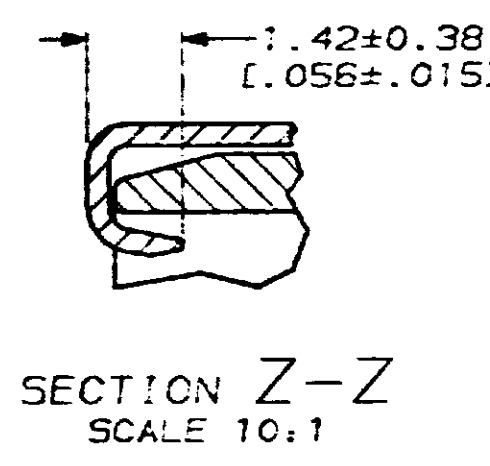
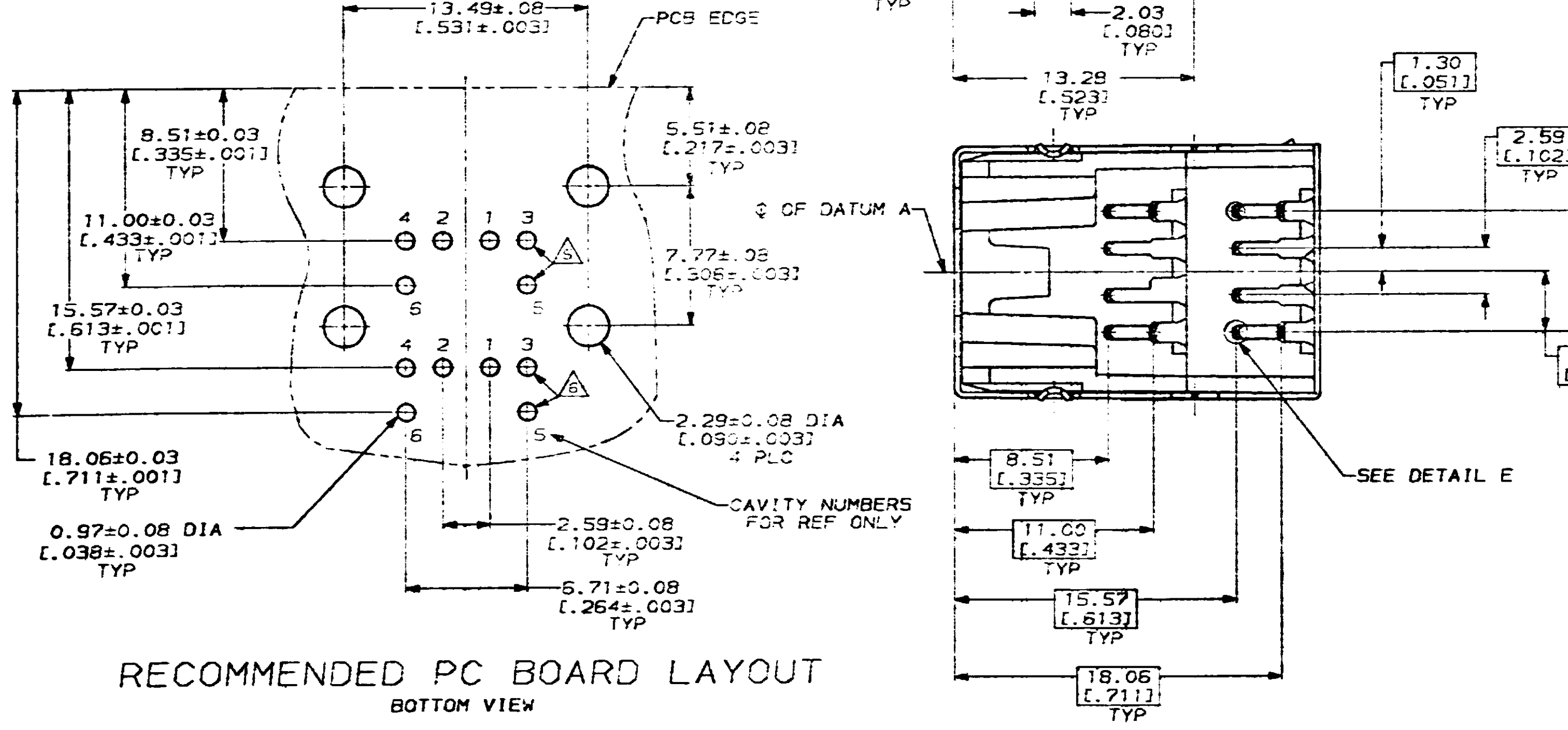
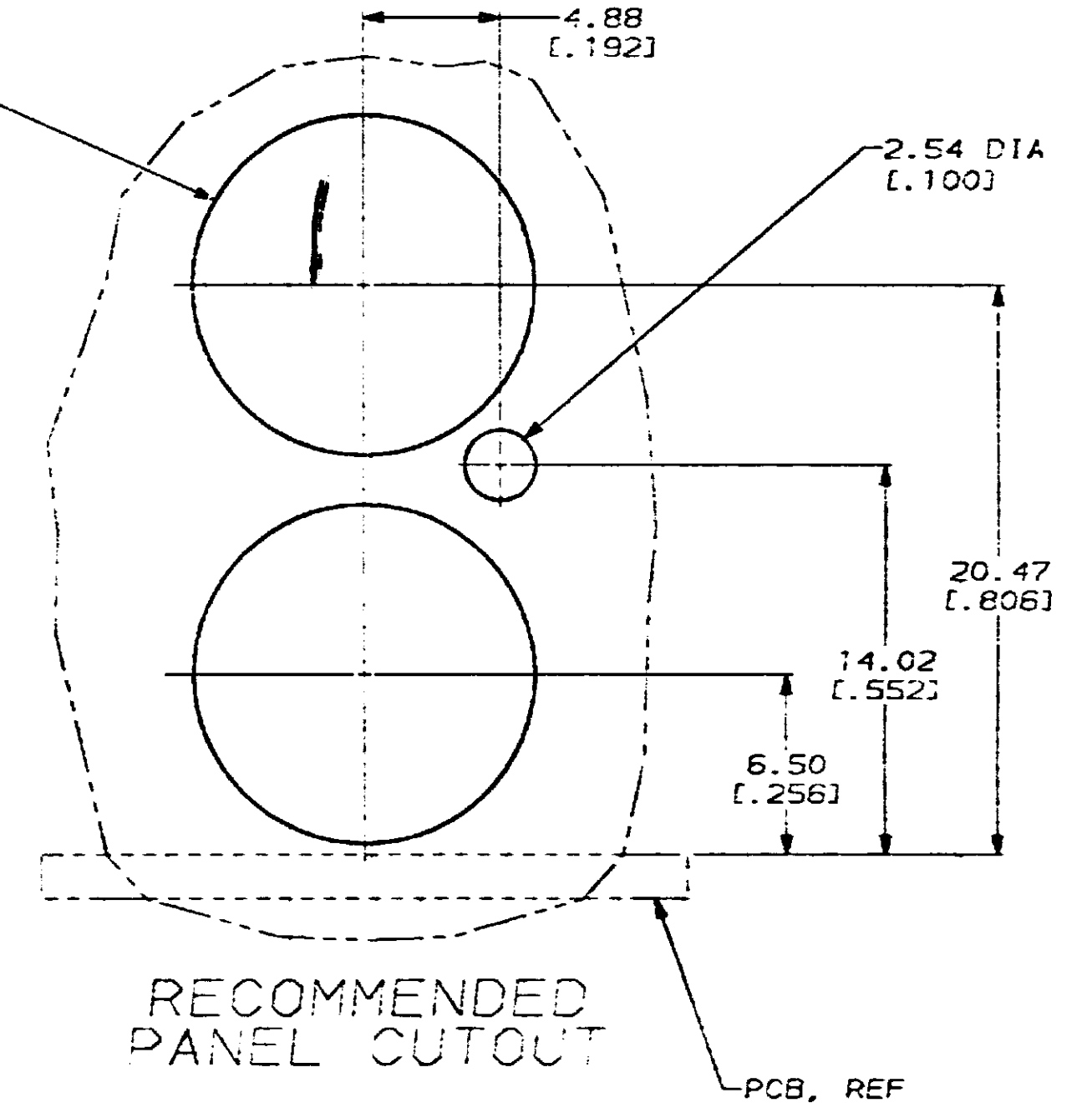
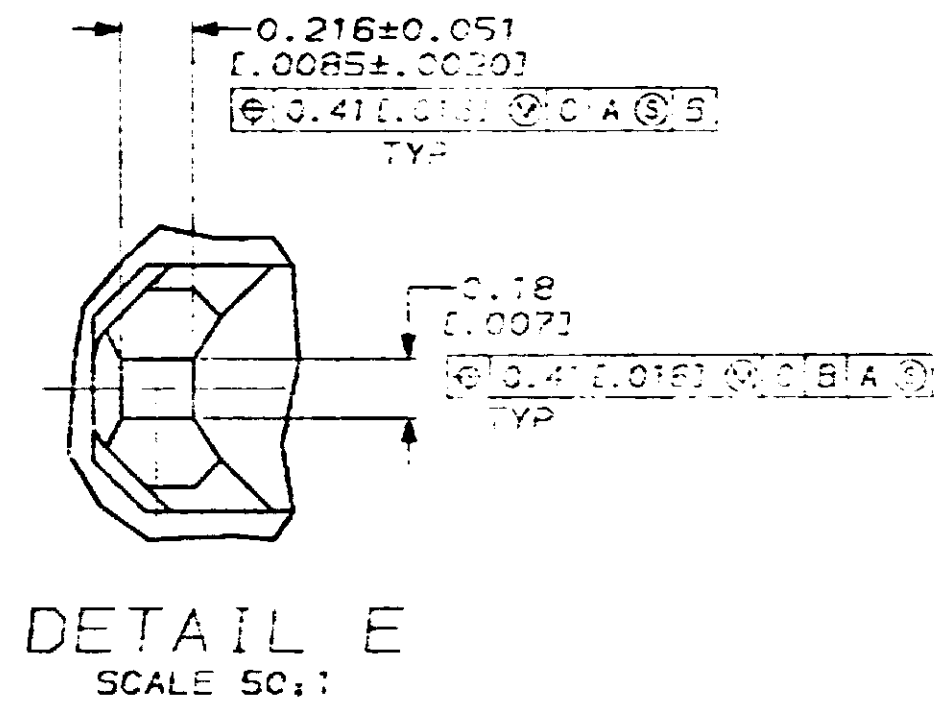
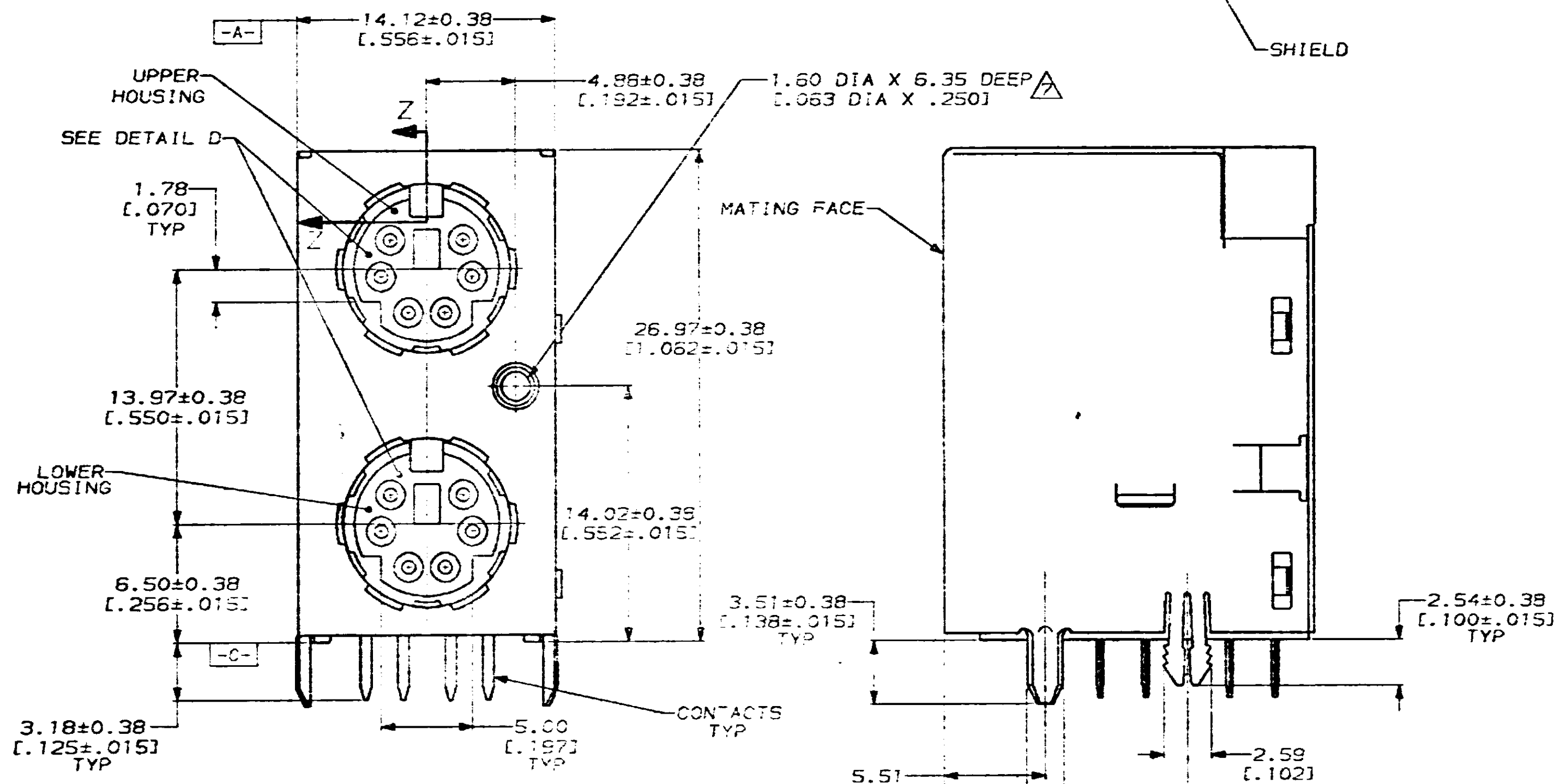


REV. NO.		DATE	DESCRIPTION	BY	CHKD	APPD
BD	26	10-29-92	0 RLSE PER NPR 4401 WAS 92-2906-2			



- △ PHOSPHOR BRONZE.
- △ POLYESTER, UL 94V-0 RATED, BLACK.
- △ 0.76µm [0.000030] MIN GOLD FOR A LENGTH OF 1.52 [0.060] MIN ON INSIDE FROM MATING END, 3.05µm [0.00120] MIN TIN-LEAD FOR A LENGTH OF 3.56 [0.140] MIN FROM OPPOSITE END, BOTH OVER 1.27µm [0.000050] MIN NICKEL.
- △ 3.54µm [0.000100] MIN TIN.
- △ CAVITY NUMBERS CORRESPONDS TO LOWER HOUSING.
- △ CAVITY NUMBERS CORRESPONDS TO UPPER HOUSING.
- △ ACCEPTS A #2 X 6.35 [0.250] SELF-TAPPING SCREW.



THIS DRAWING IS A CONTROLLED DOCUMENT FOR AMP INCORPORATED. IF IS SUBJECT TO CHANGE AND THE CONTROLLING ENGINEERING ORGANIZATION SHOULD BE CONTACTED FOR THE LATEST REVISION.

DO NOT SCALE PRINT. UNLESS SPECIFIED DIMENSIONS IN mm (INCHES) TO BE ROUNDED UP TO THE NEXT WHOLE NUMBER. DIMENSIONS ON 2.54 DEC (0.100) INCHES. ANGLES = 0°30'		DR 10-28-92 M MOLL	AMP Incorporated Harrisburg, PA 17105-3608	786580-1 PART NO	
MATERIAL: SHIELD & CONTACTS: △ HOUSING: △		CHK 11-9-92 R STONE		NAME: RECEPTACLE ASSEMBLY, 6 POSN OVER 6 POSN, RIGHT ANGLE, STACKABLE, MINIATURE CIRCULAR DIN	SIZE: D
FINISH: CONTACTS: △ SHIELD: △		APPRO 11-12-92 R WHINE	APPRO 12-8-92 C HANNAKER	APPLICATION SPEC: 108-1225	DRAWING NO: C-786580
		WEIGHT: -		SCALE: 5:1	SHEET: 1 OF 1

CUSTOMER DRAWING