

PLEASE CHECK WWW.MOLEX.COM FOR LATEST PART INFORMATION

Part Number: [0732055033](#)
Status: **Active**
Overview: [tnc](#)
Description: TNC Right Angle PCB Bulkhead Jack Receptacle

Documents:

[Drawing \(PDF\)](#) [RoHS Certificate of Compliance \(PDF\)](#)
[Drawing \(PDF\)](#)

General

Product Family	RF/Coax Connectors
Series	73205
More Detailed Tech Information	rf@molex.com
Overview	tnc
Product Name	TNC
Style	PCB
Wire/Cable Type	N/A

Physical

Cable Attachment	N/A
Gender	Jack
Keying to Mating Part	None
Orientation	Right Angle
PCB Mounting	Through Hole
PCB Thickness - Recommended	3.20mm (.126")
Packaging Type	Tray
Panel Mount	Yes
Panel Mount Method	Bulkhead
Reverse Polar	No

Electrical

Impedance	50#
-----------	-----

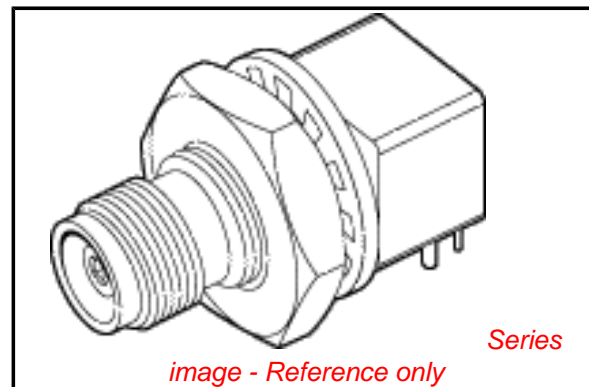
Solder Process Data

Duration at Max. Process Temperature (seconds)	0
Lead-free Process Capability	Wave Capable (TH only)
Max. Cycles at Max. Process Temperature	0
Process Temperature max. C	0

Material Info

Reference - Drawing Numbers

Sales Drawing	SD-73205-5033
---------------	---------------



EU RoHS

RoHS Compliant RF Product

REACH SVHC

Not Reviewed

Low-Halogen Status

Not Reviewed

China RoHS



Need more information on product environmental compliance?

Email productcompliance@molex.com
 For a multiple part number RoHS Certificate of Compliance, [click here](#)

Please visit the [Contact Us](#) section for any non-product compliance questions.

Search Parts in this Series

[73205Series](#)