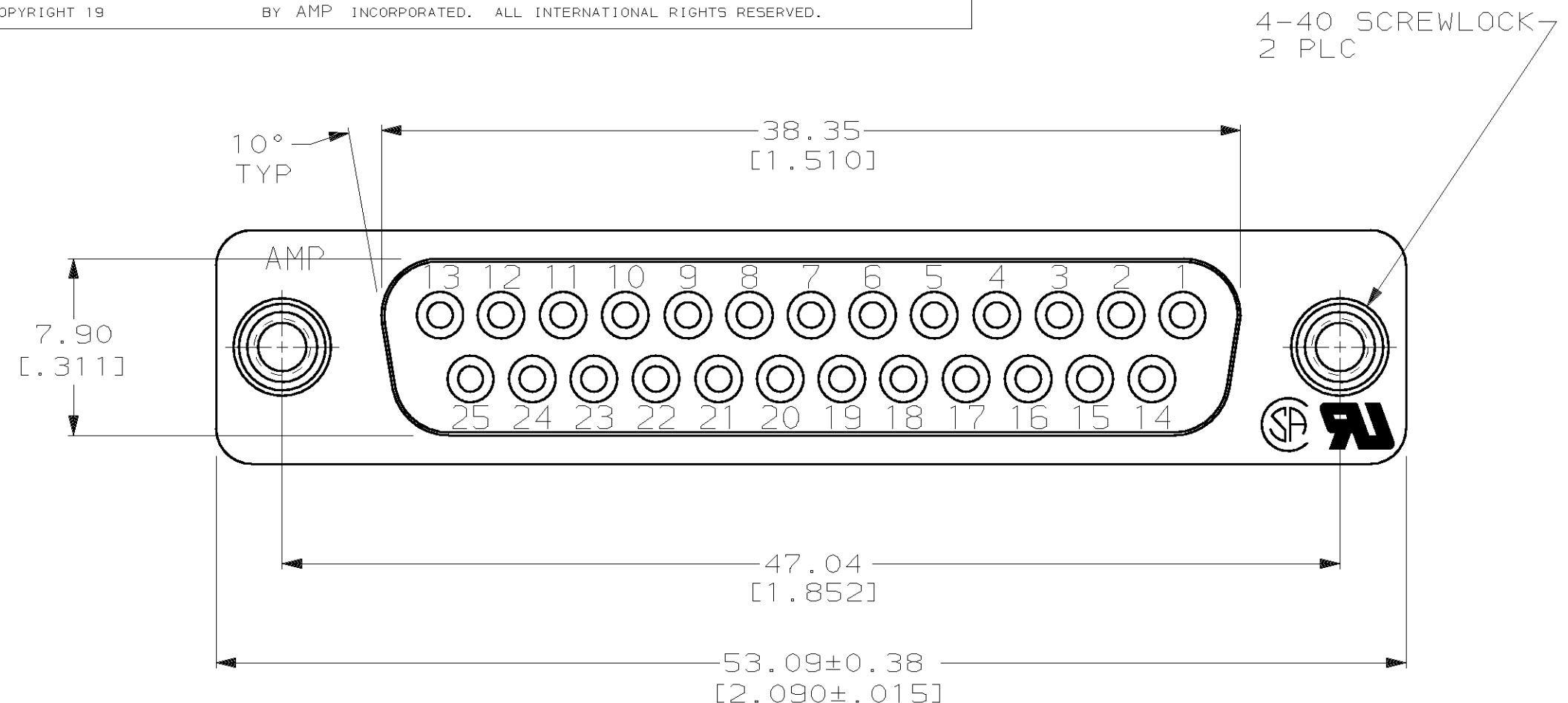
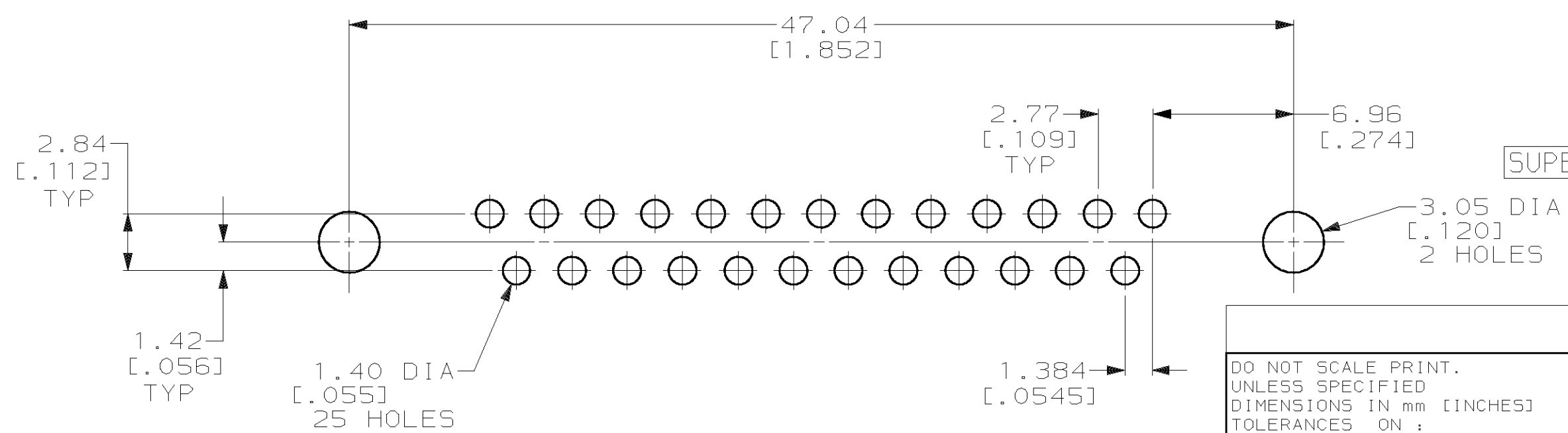
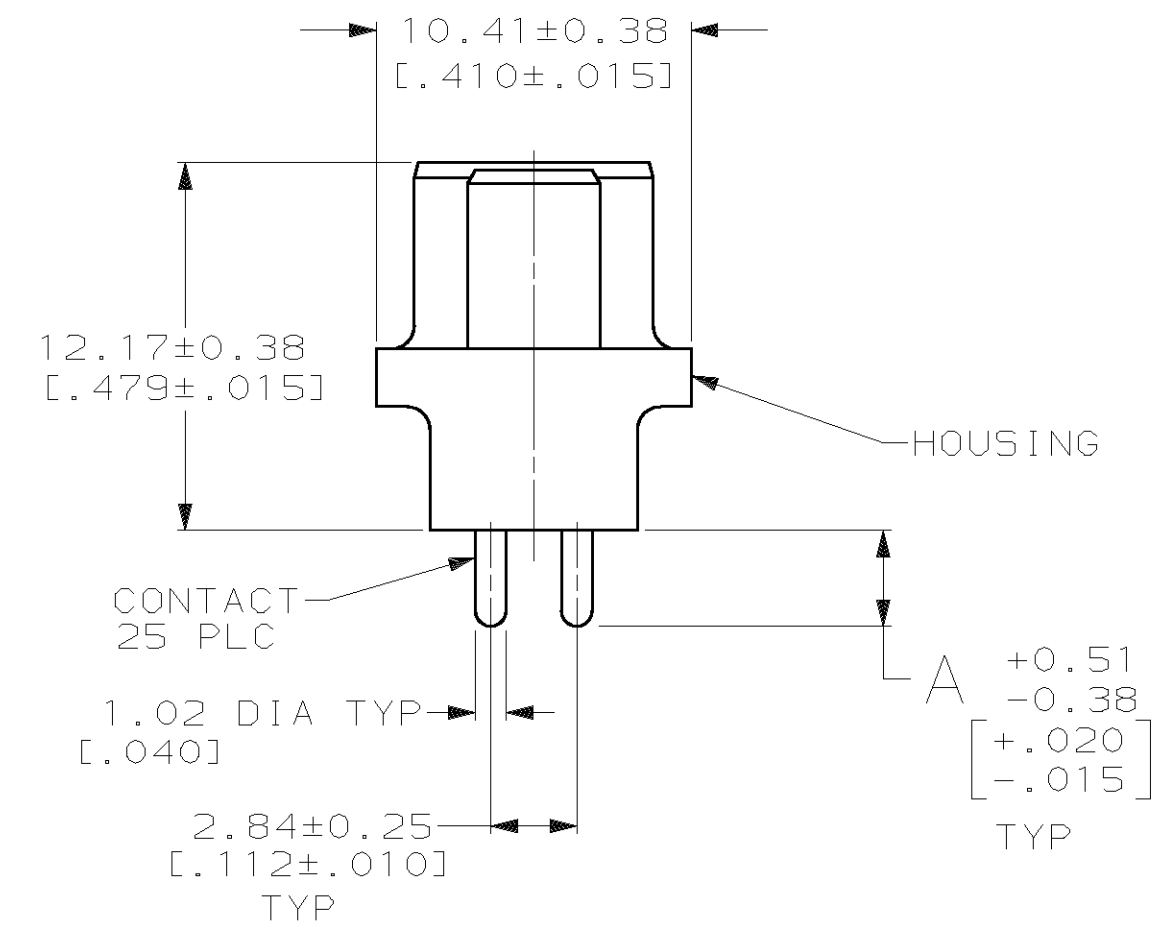
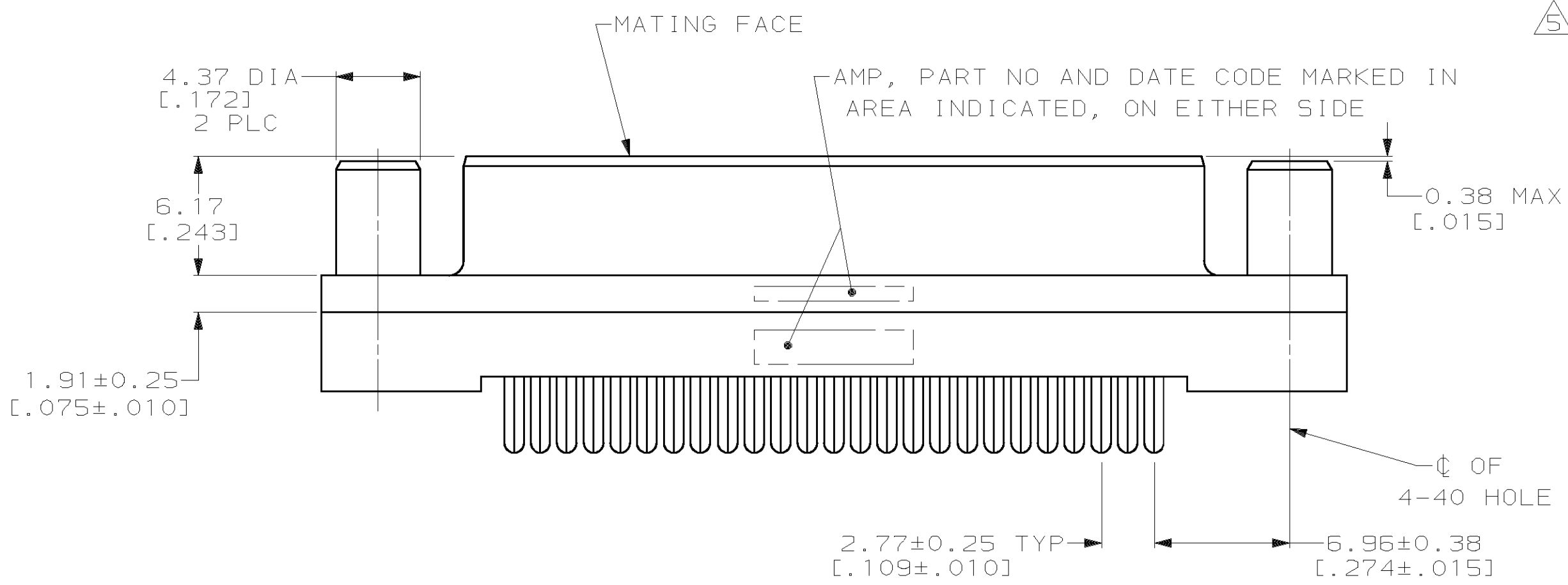


THIS DRAWING IS UNPUBLISHED. RELEASED FOR PUBLICATION .19
 © COPYRIGHT 19 BY AMP INCORPORATED. ALL INTERNATIONAL RIGHTS RESERVED.

LOC		DIST		P		F		ZONE		LTR		REVISIONS		
GP		00								H		DESCRIPTION	DATE	APPD
												REVISED PER EC 0513-0017-03	12MAY03	JG



- ① HOUSING: BLACK POLYESTER, UL 94V-0 RATED; CONTACTS: PHOSPHOR BRONZE PER QQ-B-750; SCREWLOCKS: BRASS PER QQ-B-626.
- ② GOLD PLATING PER MIL-G-45204, TIN PLATING PER MIL-T-10727, NICKEL PLATING PER QQ-N-290, COPPER PLATING PER MIL-C-14550.
- ③ GOLD FLASH FOR A LENGTH OF 2.54[.100] MIN FROM MATING END, 2.54µm[.000100] MIN TIN OR TIN-LEAD FOR A LENGTH OF DIMENSION A FROM OPPOSITE END, ALL OVER 1.27µm[.000050] MIN NICKEL.
- ④ 0.76µm[.000030] MIN GOLD FOR A LENGTH OF 2.54[.100] MIN FROM MATING END, 2.54µm[.000100] MIN TIN OR TIN-LEAD FOR A LENGTH OF DIMENSION A FROM OPPOSITE END, ALL OVER 1.27µm[.000050] MIN NICKEL.
- ⑤ 1.27µm[.000050] MIN NICKEL OVER COPPER FLASH.



STATUS	SIZE	CONTACT FINISH	PART NO
OBSOLETE	6.35 [.250]	④	1-745068-0
SUPERSEDED BY 1-745068-0	6.35 [.250]	③	745068-9
OBSOLETE	4.32 [.170]	④	745068-8
OBSOLETE	4.32 [.170]	③	745068-7
OBSOLETE	3.18 [.125]	④	745068-6
OBSOLETE	3.18 [.125]	③	745068-5

DO NOT SCALE PRINT. UNLESS SPECIFIED DIMENSIONS IN mm [INCHES] TOLERANCES ON: 2 PLC DEC ± 0.13 [0.005] 3 PLC DEC ± - ANGLES ± 2°		DR 11-25-89 J McCLINTON		AMP INCORPORATED Harrisburg, Pa. 17105	
MATERIAL		CHK 2-2-90 R. STONE			
FINISH ②		APPD 2-2-90 S. SCHIEFERLY		NAME RECEPTACLE ASSEMBLY, SIZE 3, 25 POSN, VERTICAL, AMPLIMITE® HD-20	
CONTACT: SEE TABLE		APPD 2-2-90 C. ROHDE		SIZE C 00779	
SCREWLOCK: ⑤		PRODUCT SPEC 108-40025		CAGE CODE 00779	
		APPLICATION SPEC -		DRAWING NO 745068	
		WEIGHT -		SCALE 4:1	
				SHEET 1 OF 1	