

Unshielded Cable Clamps (Continued)

The AMP Quik-Snap Backshell Kit is a one-piece, all-plastic cable clamp kit designed for use with either the AMPLIMITE HDP-20, HDP-22, or HDE, all-plastic or metal-shell connectors.

Kits are available for connector sizes 1, 2, 3, and 4 with a cable exit option of 180° or 120°.

Each kit contains:

- 1-Hinged, plastic clamp
- 2-Self-tapping screws
- 1-Strain relief clip
- 1-Cable exit gate plug (Used to close unused exit)

(For metal-shell connector applications an optional kit with 2 retainer clips and screws is available.)

Material and Finish:

- Cover**—Polypropylene, black
- Strain Relief Clip**—Stainless steel
- Retainer Clip**—Stainless steel
- Screws**—Carbon steel, zinc plated

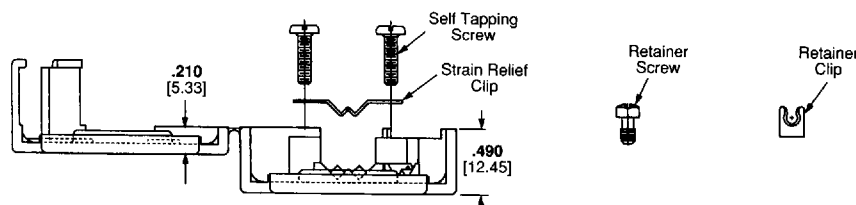
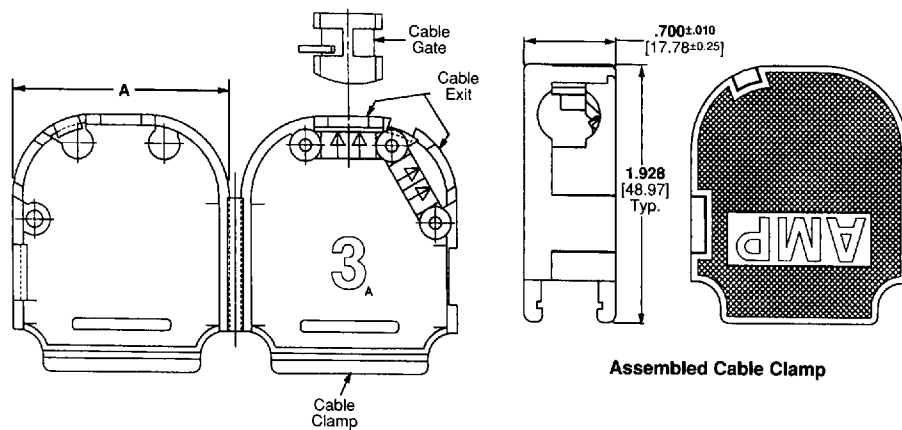
Related Product Data:

- Connectors used with:**
HDP Metal-Shell—pages 42 & 43
HDE All-Plastic—pages 18 & 19
HDE Metal-Shell—pages 20 & 21

Technical Documents:

- Instruction Sheet**—408-9544

One-Piece, All-Plastic Cable Clamp for Jacketed Cable, 180°/120° Exit (HDP and HDE) (Quik-Snap)



Shell Size	Cable Dia. Range (Ref.)	Dimension A	Kit Number* with Screws and Retainer Clips	Kit Number without Screws and Retainer Clips	Packaging
1	.075-.250	.782	749914-1	750100-2	Bulk Pkg.
	1.91-6.35	19.86	749914-2	750100-1	Unit Kit
2	.170-.380	1.105	749915-1	750101-2	Bulk Pkg.
	4.32-9.65	28.07	749915-2	750101-1	Unit Kit
3	.180-.460	1.650	749626-1	750078-2	Bulk Pkg.
	4.57-11.68	41.91	749626-2	750078-1	Unit Kit
4	.250-.550	2.296	749916-1	750987-2	Bulk Pkg.
	6.35-13.97	58.32	749916-2	750987-1	Unit Kit

*For metal-shell connectors only.