

MATERIALS AND FINISHES

BODY ----- ZINC ALLOY  
PLATED NICKEL

HOUSING ---- POLYESTER BUTYLENE  
TEREPHTHALATE (WHITE)

CENTER CONTACT -- PHOSPHOR BRONZE  
PLATED TIN

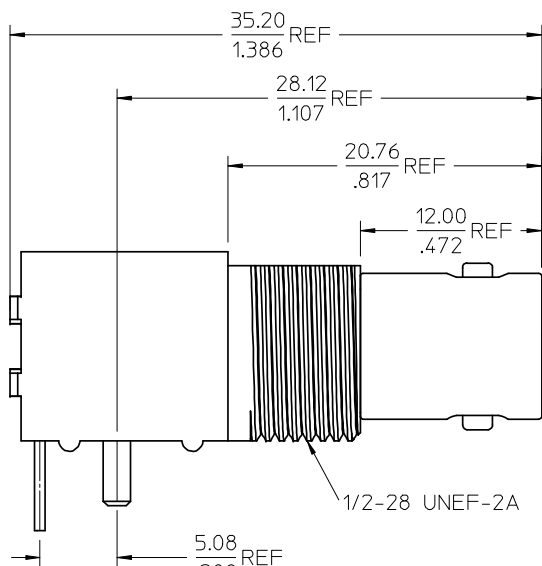
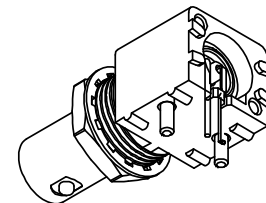
DIELECTRIC --- POLYPROPYLENE (94V2)

MOUNTING POST --- BRASS  
PLATED TIN

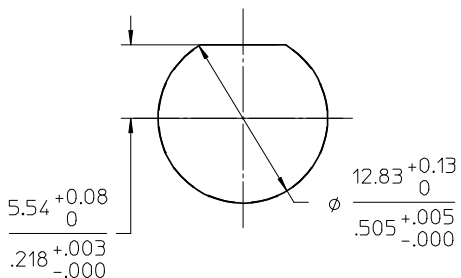
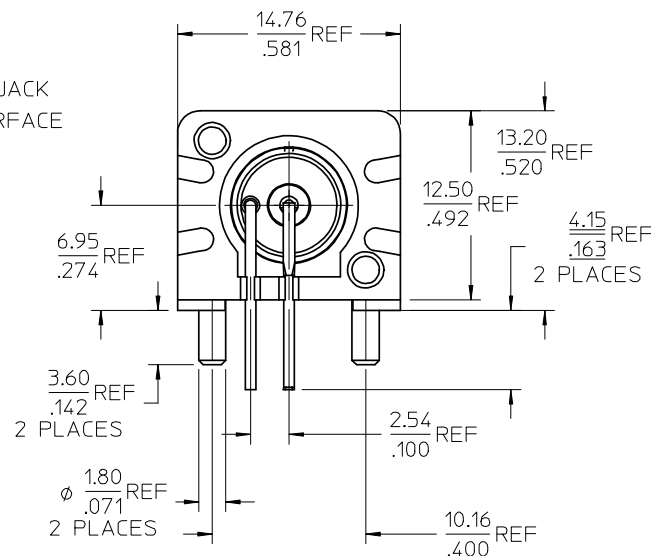
SOLDER TAIL ---- COPPER OVER STEEL WIRE  
PLATED TIN

LOCKWASHER --- PHOSPHOR BRONZE  
PLATED NICKEL

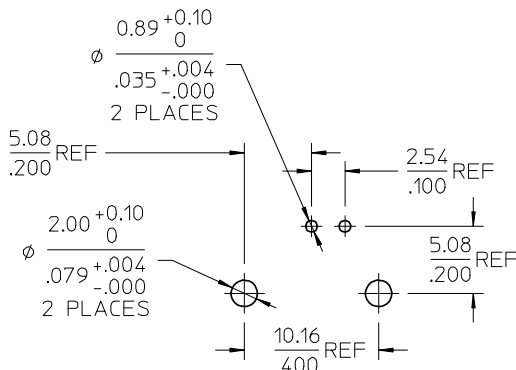
JAM NUT --- BRASS  
PLATED NICKEL



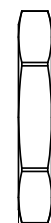
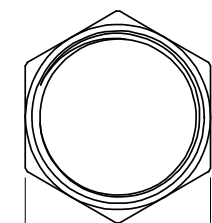
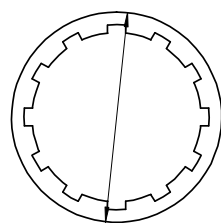
BNC JACK  
INTERFACE



RECOMMENDED MOUNTING HOLE



RECOMMENDED PCB LAYOUT



PART NUMBER 73137-5015

CHG: CONVERTED TO SD DRAWING EC NO: URF2008-0341 DRWN: JWIENER 2007/12/28 CHKD: ROBERTSON 2007/12/28 APPR: JWIENER 2007/12/28	QUALITY SYMBOLS
	<p>▽=0</p> <p>▽=0</p>
DESCRIPTION	
REV	

GENERAL TOLERANCES (UNLESS SPECIFIED)	
4 PLACES ±	±
3 PLACES ±	±
2 PLACES ±	±
1 PLACE ±	±
ANGULAR ± 2 °	
DRAFT WHERE APPLICABLE MUST REMAIN WITHIN DIMENSIONS	

DIMENSION STYLE	
MM/IN	
DRAWN BY	DATE
IRIS WANG	1991/01/21
CHECKED BY	DATE
APPROVED BY	DATE
MATERIAL NO.	731375015
SIZE	C

SCALE	DESIGN UNITS	THIRD ANGLE PROJECTION
	METRIC	
TITLE		
BNC, JACK PCB R/A 50 OHM MOLDED HOUSING BNC-J/PCB/RA/BK		
molex MOLEX INCORPORATED		
DOCUMENT NO.	SD-73137-5015	SHEET NO.
		1 OF 1
THIS DRAWING CONTAINS INFORMATION THAT IS PROPRIETARY TO MOLEX INCORPORATED AND SHOULD NOT BE USED WITHOUT WRITTEN PERMISSION		